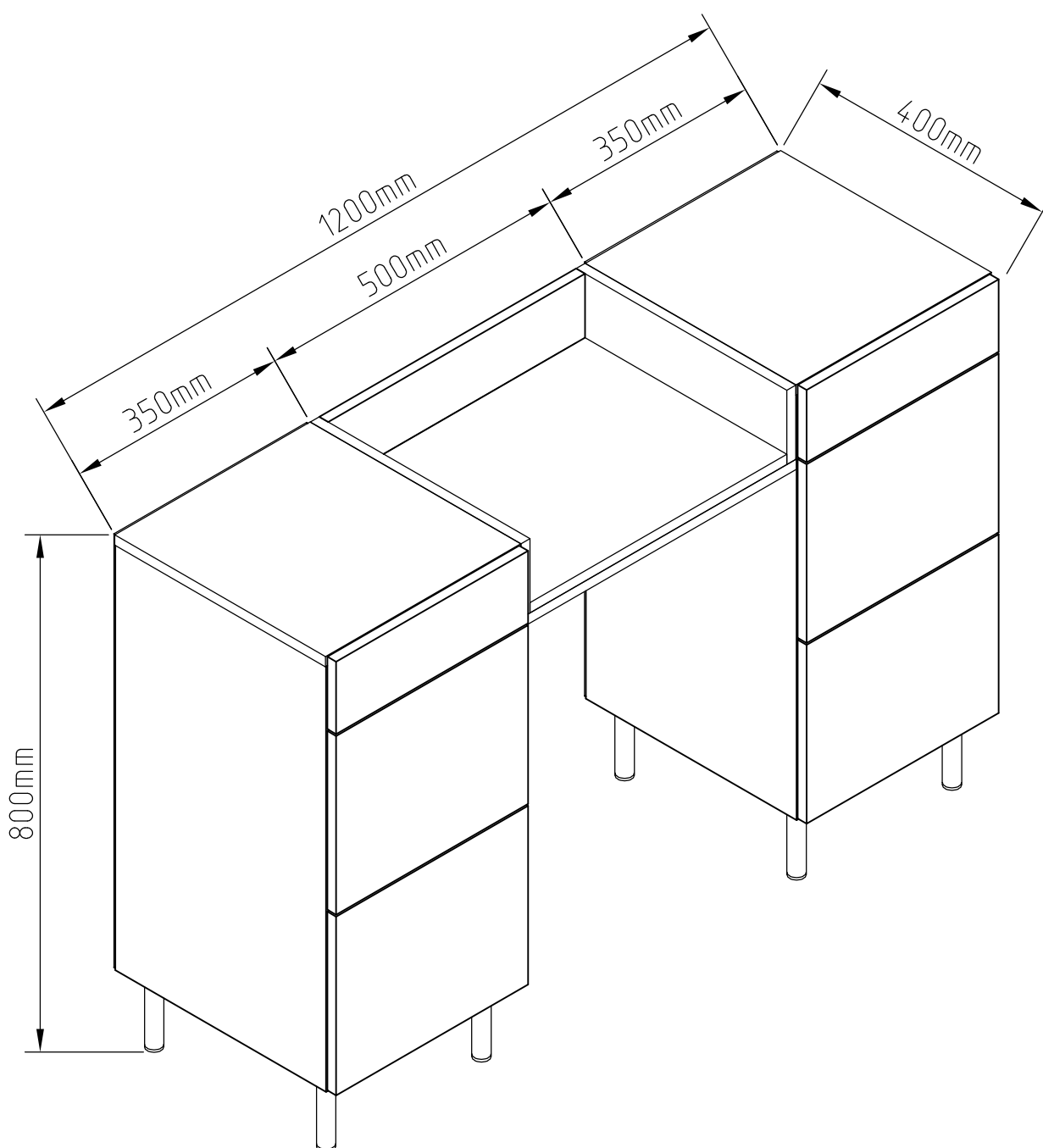
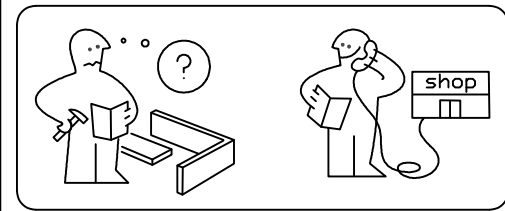
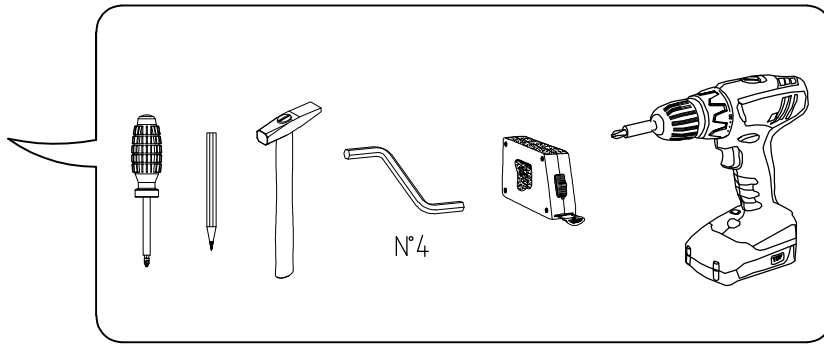
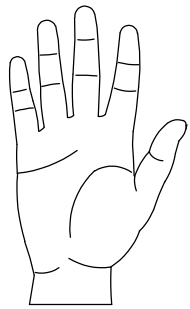
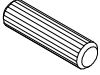

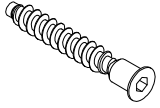
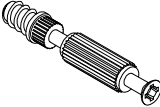
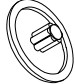
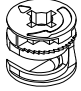
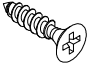
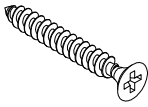
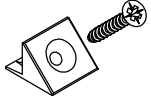
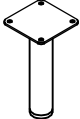
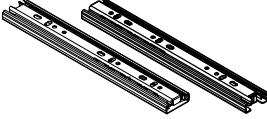
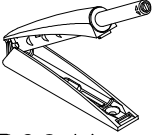


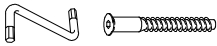


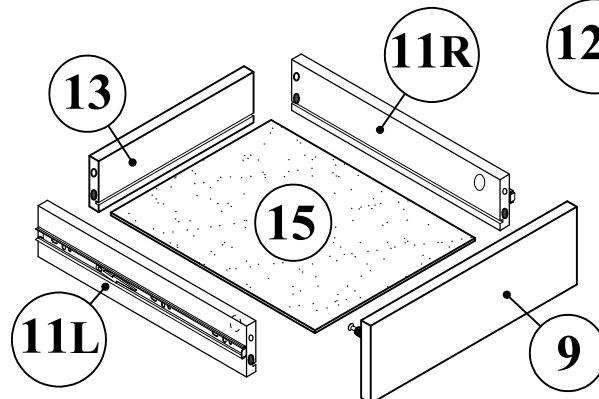
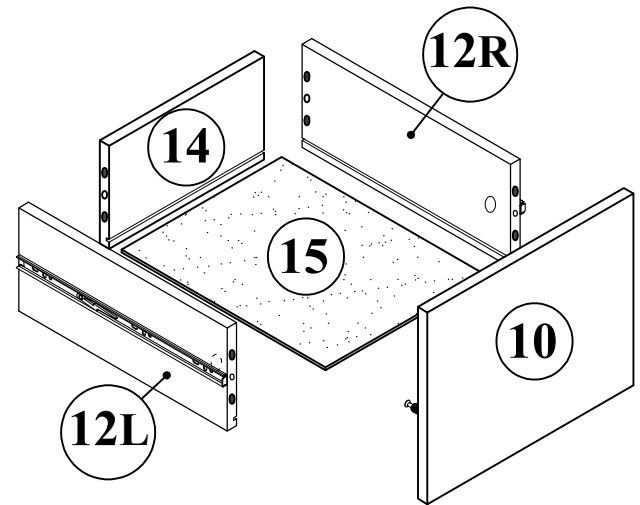
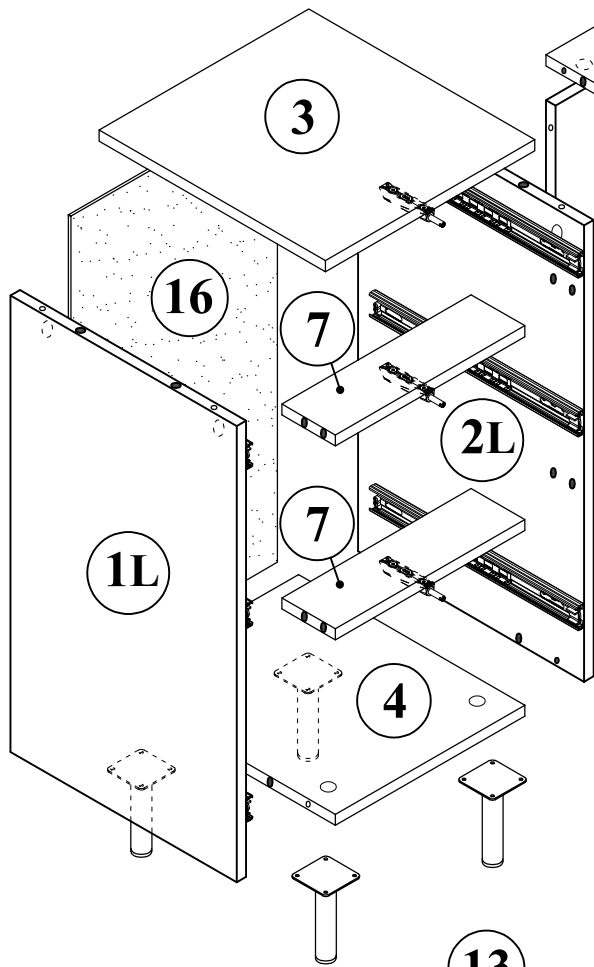
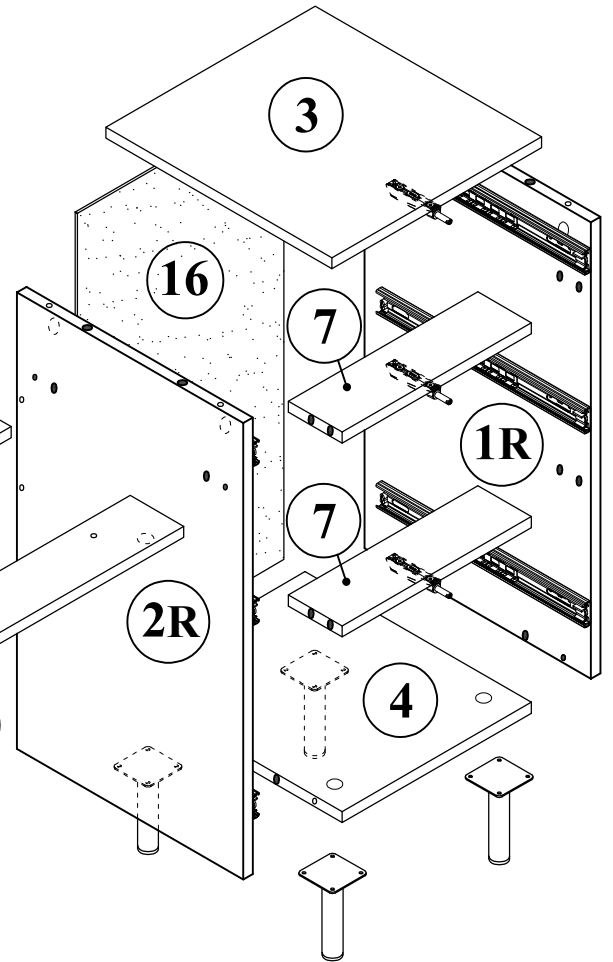
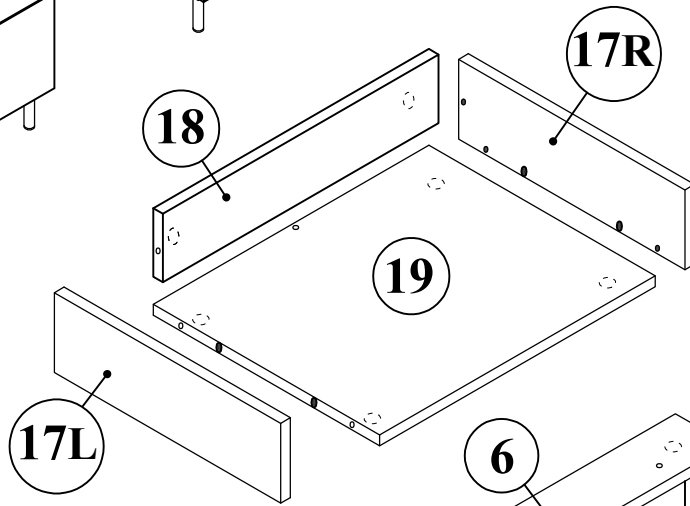
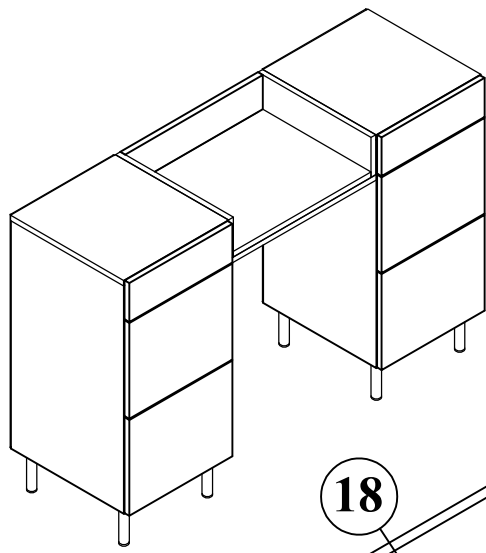
Туалетний столик "Стелла" (Stella)

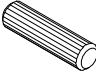
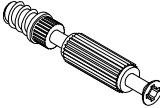

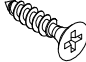
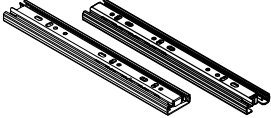




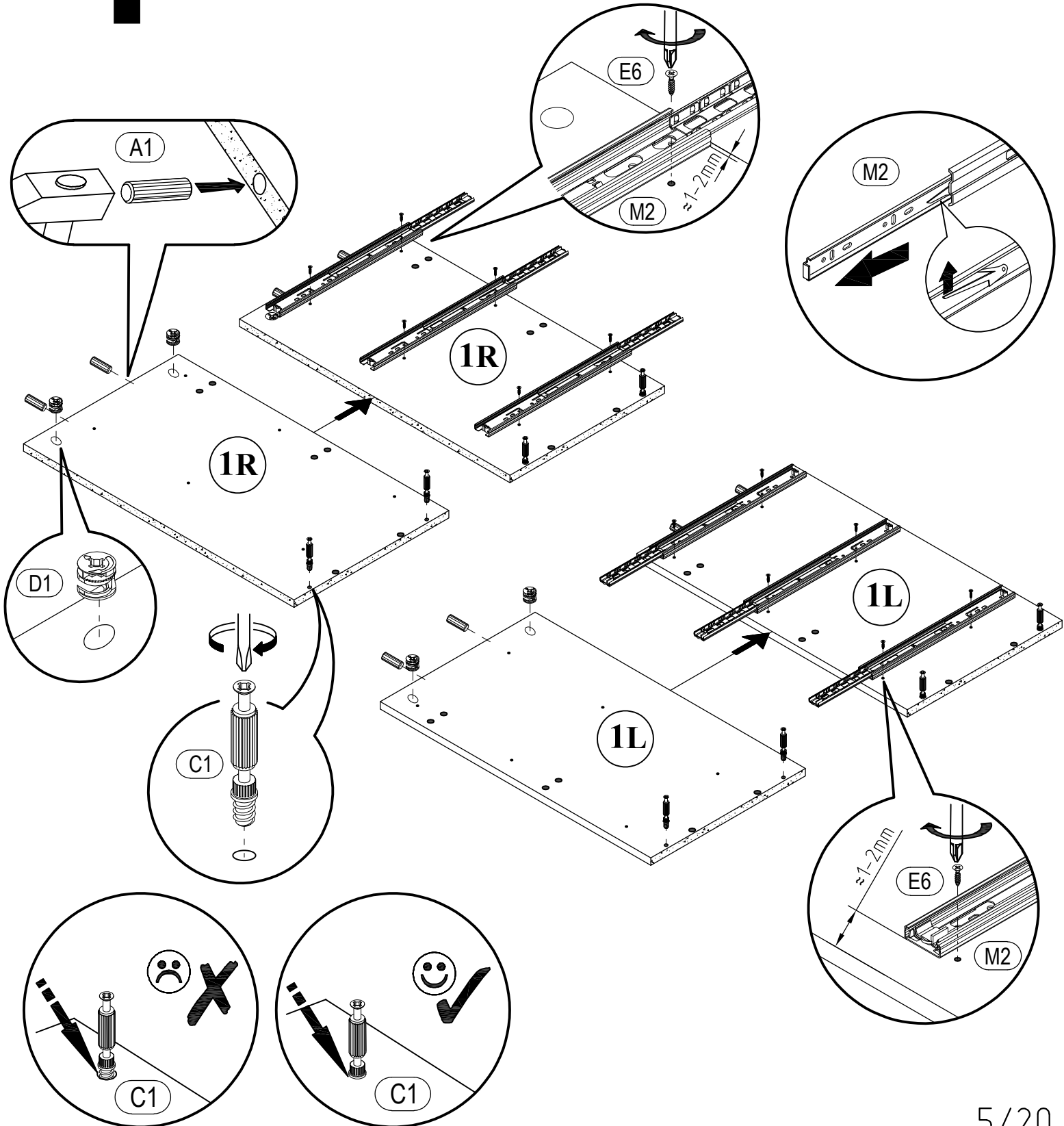
 A1 8*30mm x80	 B ϕ 12mm x17	 B1 6,3*50mm x17
 C1 6*43mm x38	 D ϕ 20mm x38	 D1 15/16 x38
 E6 3,5*16mm x98	 E15 4*30mm x4	 H2 RV-8 x12
 K32 h-120mm x8	 M2 L-350mm x6	 N21 P20 Magnet x6
 R1 x1	 R3 1.4*25mm 20g	

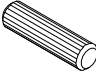
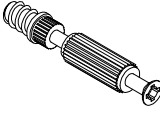

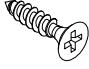
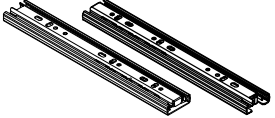
No	a*b	x	N°→...
1L	664x380	x1	1/2
1R	664x380	x1	1/2
2L	664x380	x1	2/2
2R	664x380	x1	2/2
3	352x380	x2	2/2
4	318x380	x2	2/2
5	498x90	x1	1/2
6	498x90	x1	1/2
7	318x90	x4	1/2
8	498x200	x1	1/2
9	346x113	x2	1/2
10	346x279	x4	1/2
11L	350x74	x2	1/2
11R	350x74	x2	1/2
12L	350x150	x4	2/2
12R	350x150	x4	2/2
13	260x74	x2	1/2
14	260x150	x4	1/2
15	269x343	x6	2/2
16	677x347	x2	1/2
17L	116x380	x1	1/2
17R	116x380	x1	1/2
18	463x100	x1	1/2
19	463x380	x1	1/2
		x1	2/2



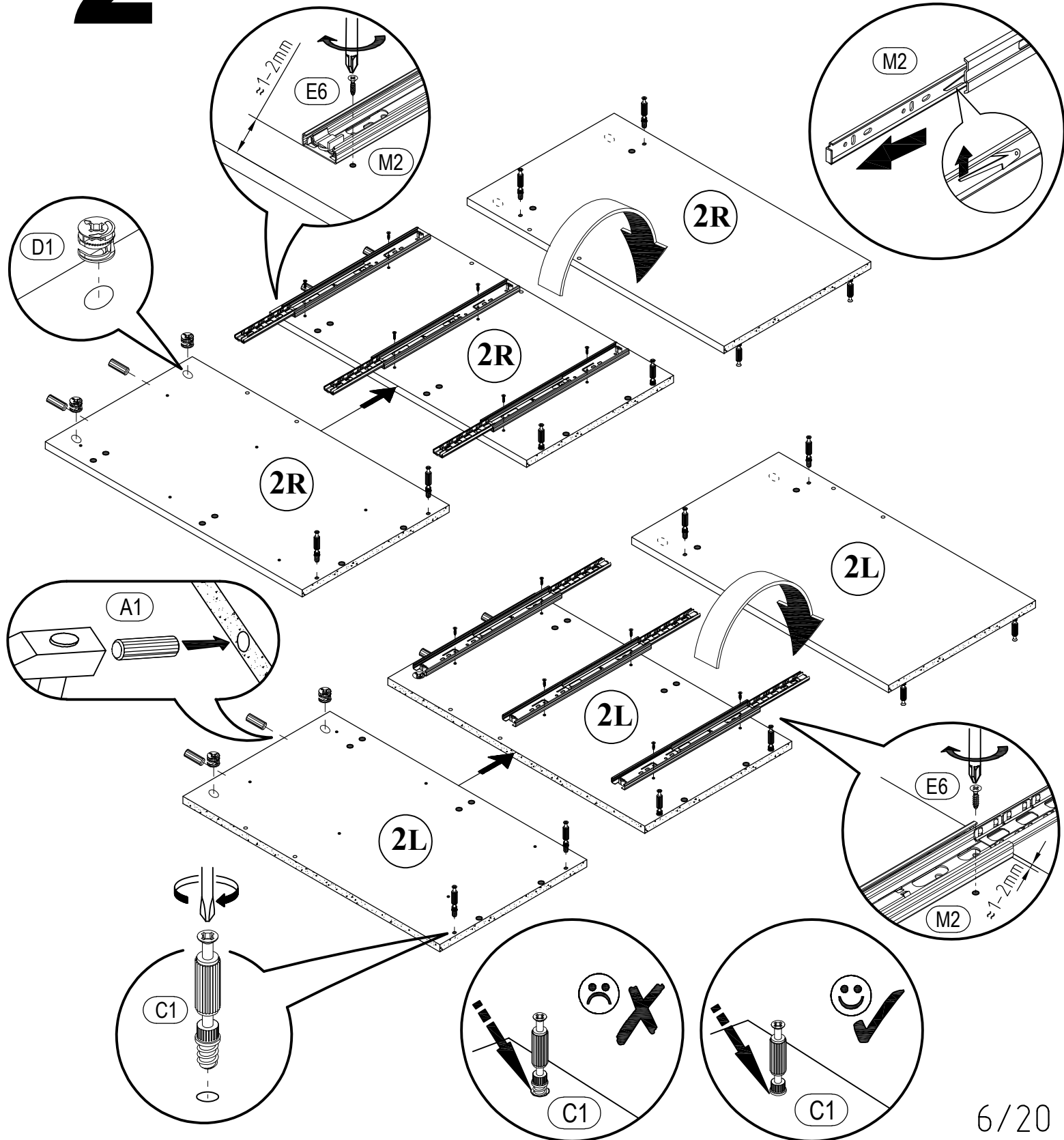
 A1 8*30mm x4	 C1 6*43mm x4	 D1 15/16 x4
 E6 3,5*16mm x12	 M2 L-350mm x3	

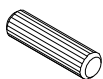
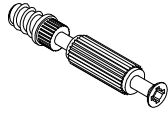
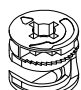
1



 <p>(A1) 8*30mm x4</p>	 <p>(C1) 6*43mm x8</p>	 <p>(D1) 15/16 x4</p>
 <p>(E6) 3,5*16mm x12</p>		 <p>(M2) L-350mm x3</p>

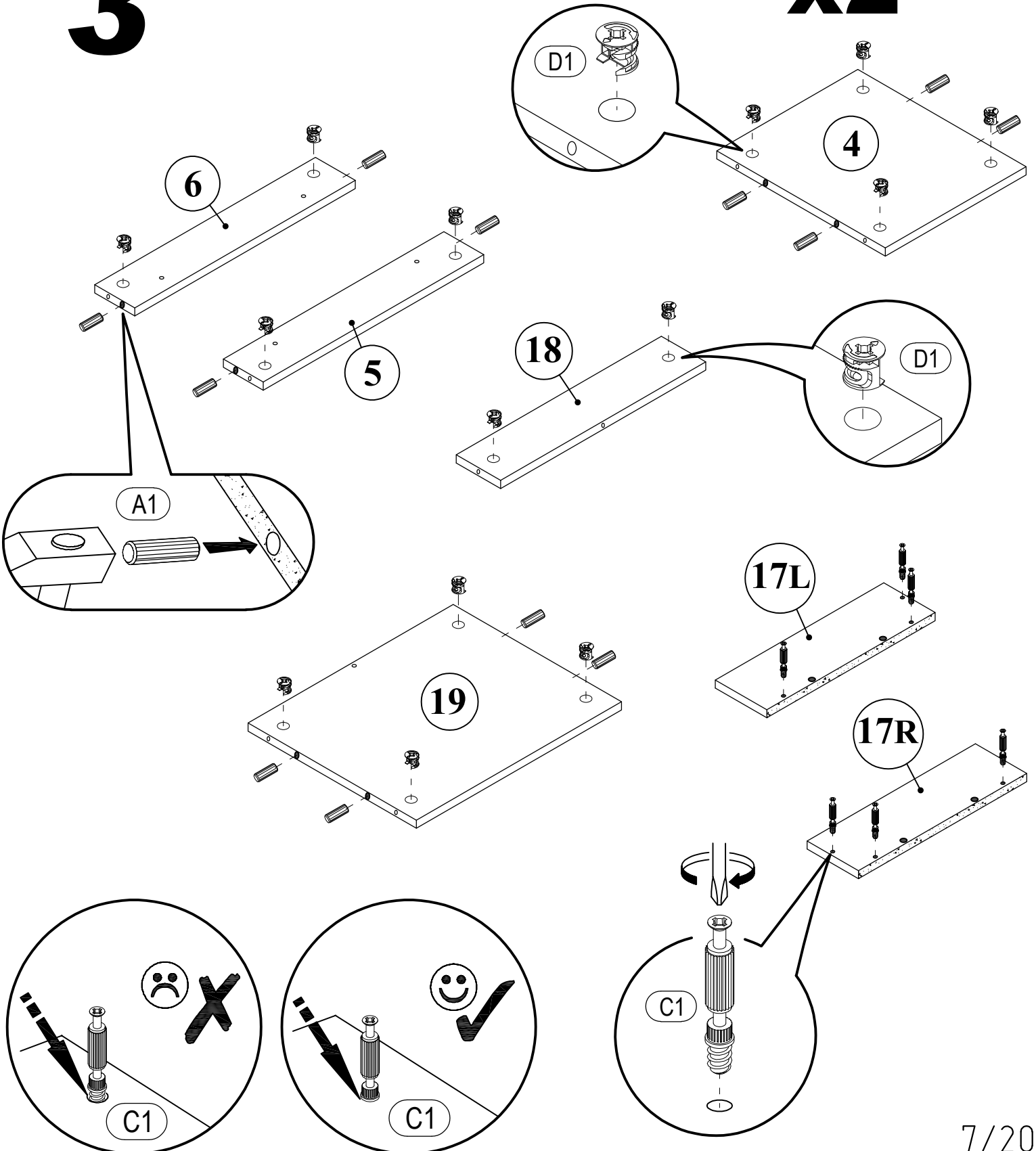
2

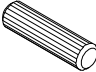
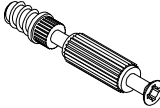
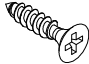




 <p>A1 8*30mm x16</p>	 <p>C1 6*43mm x6</p>	 <p>D1 15/16 x18</p>
---	--	--

3

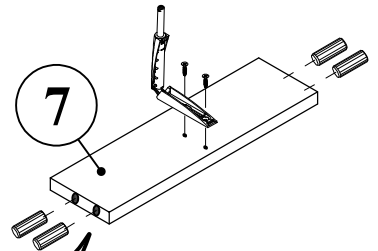
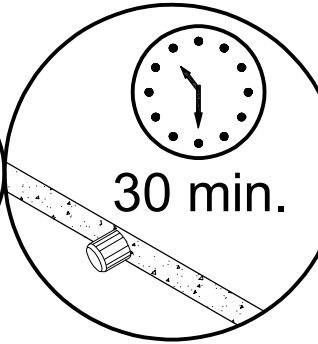
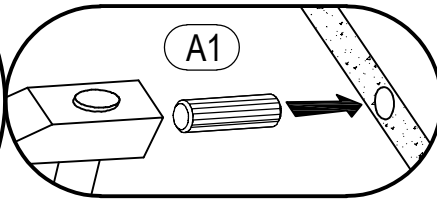
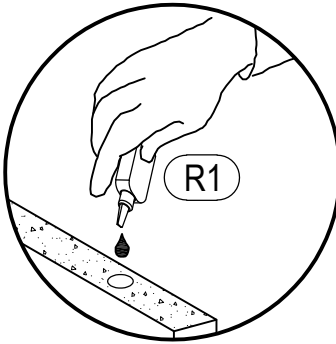
x2



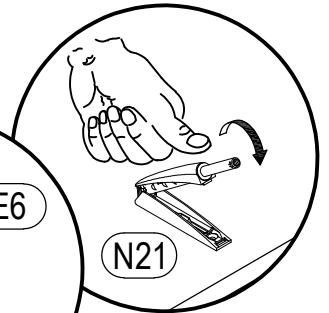
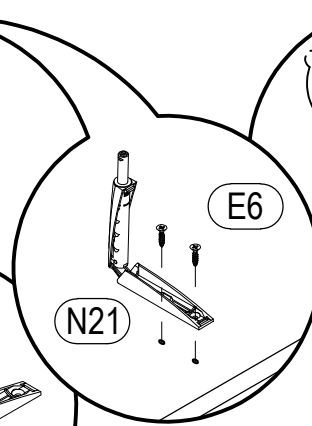
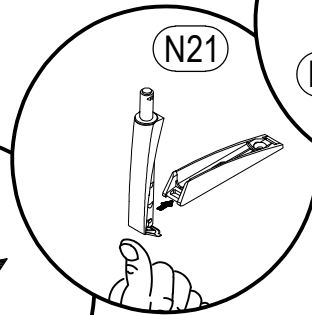
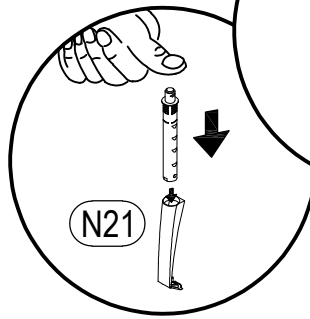
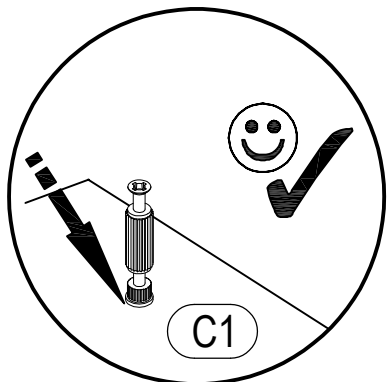
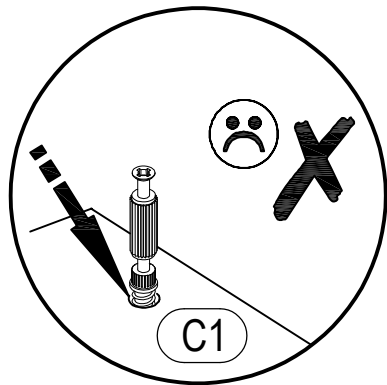
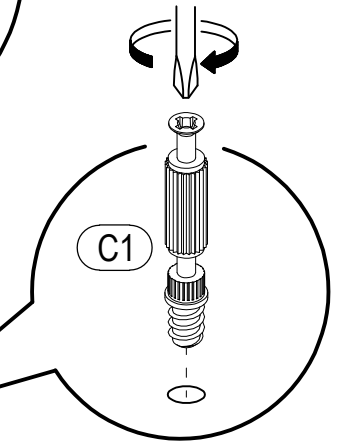
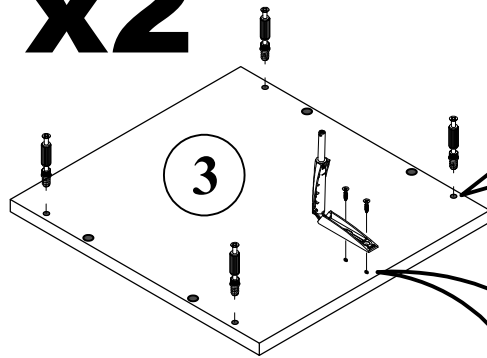
 A1 8*30mm x16	 C1 6*43mm x8	 E6 3,5*16mm x12
 N21 P20 Magnet x6		 R1 x1

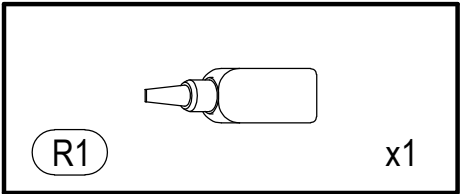
4

x4

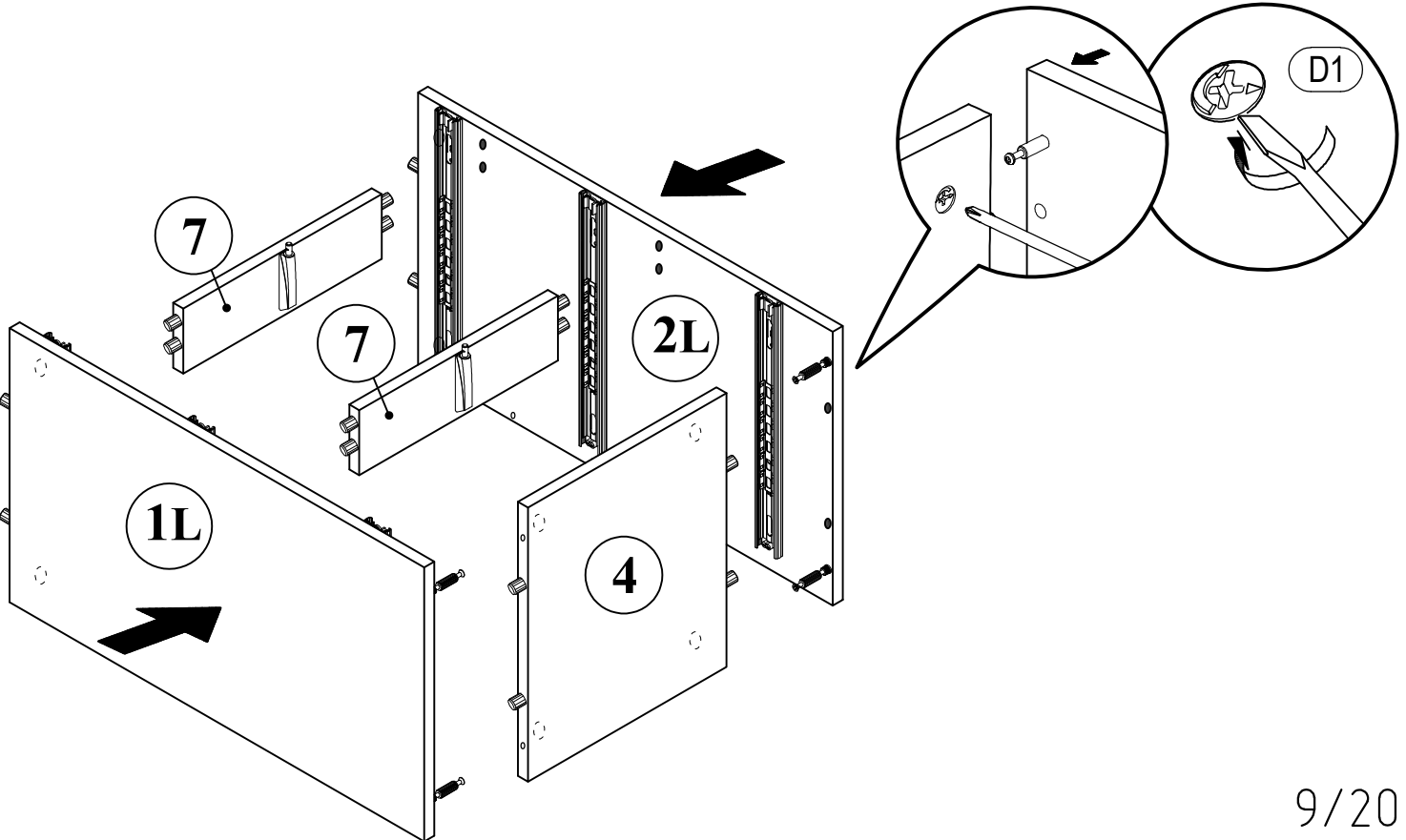
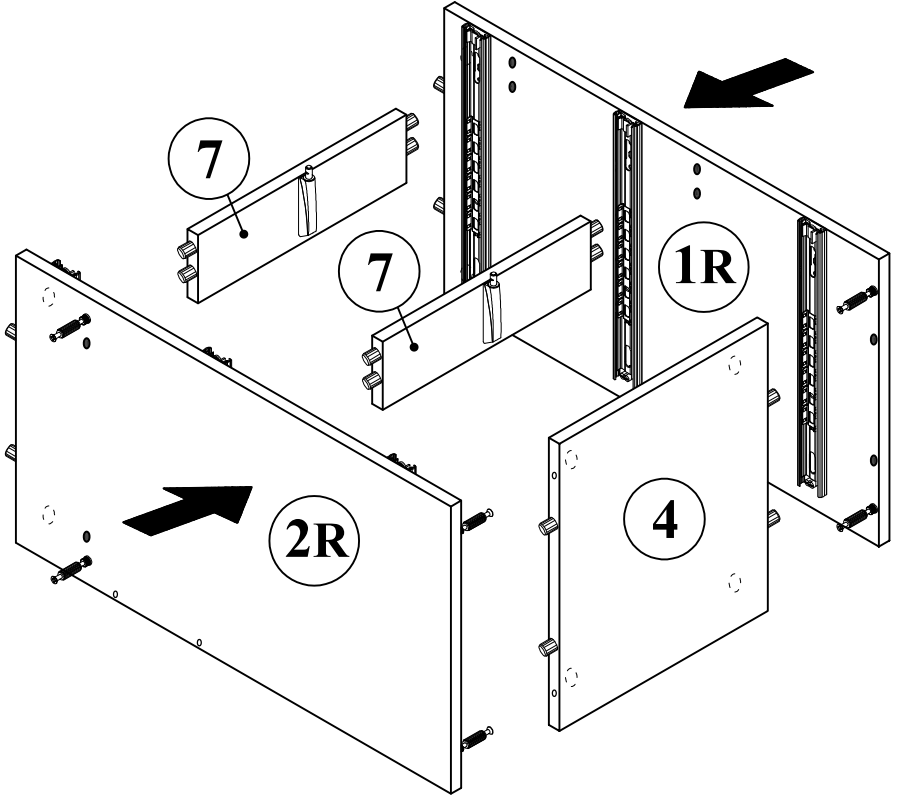
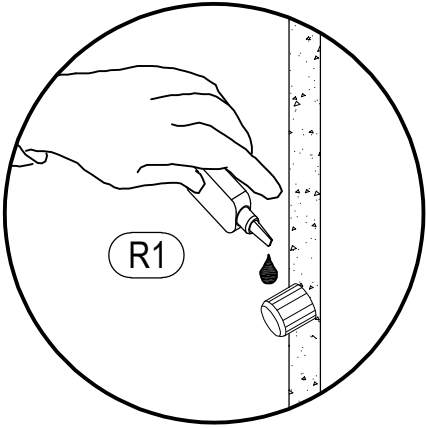


x2

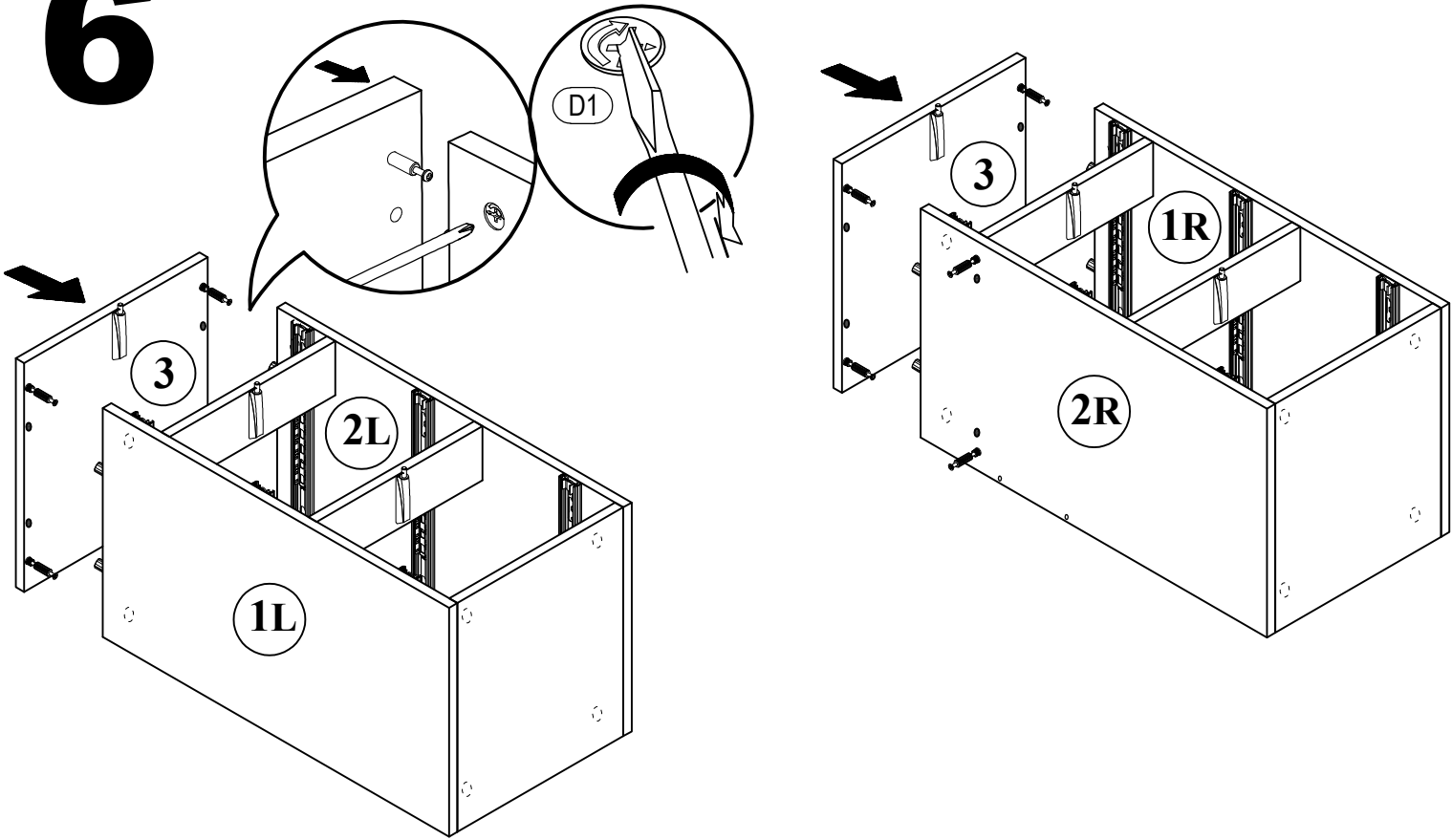




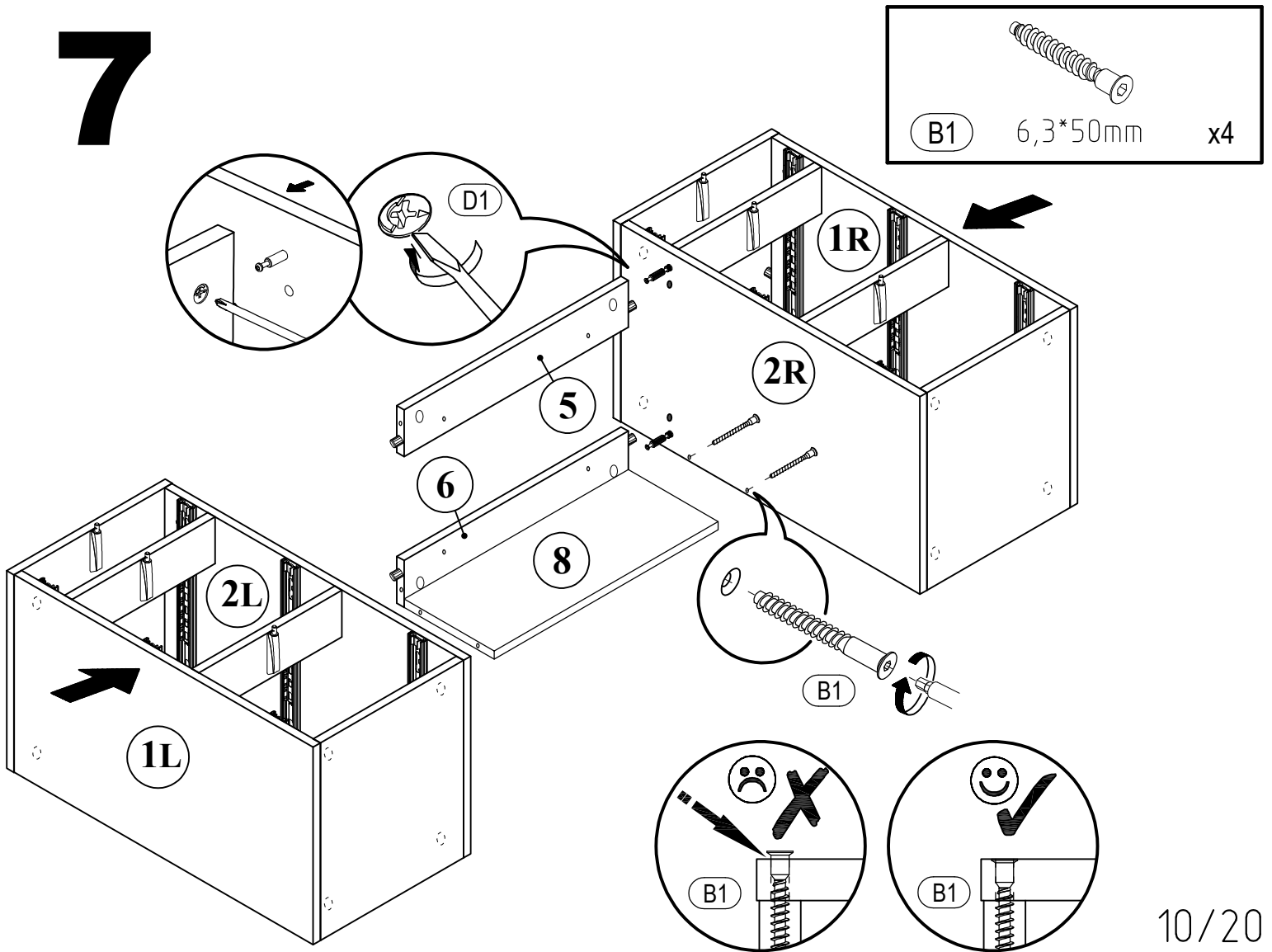
5

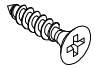

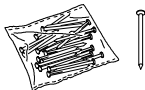


6

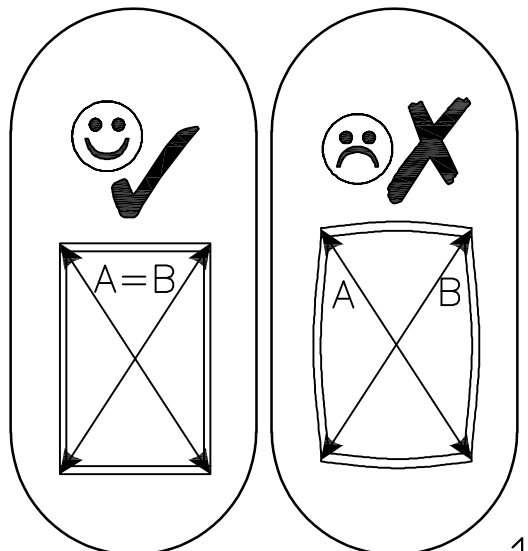
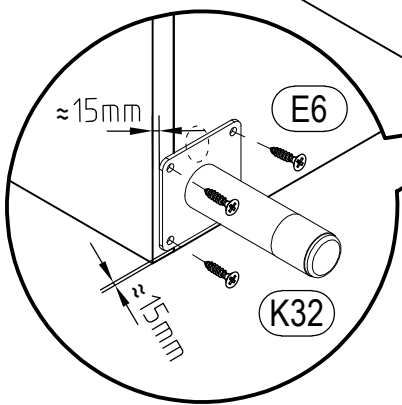
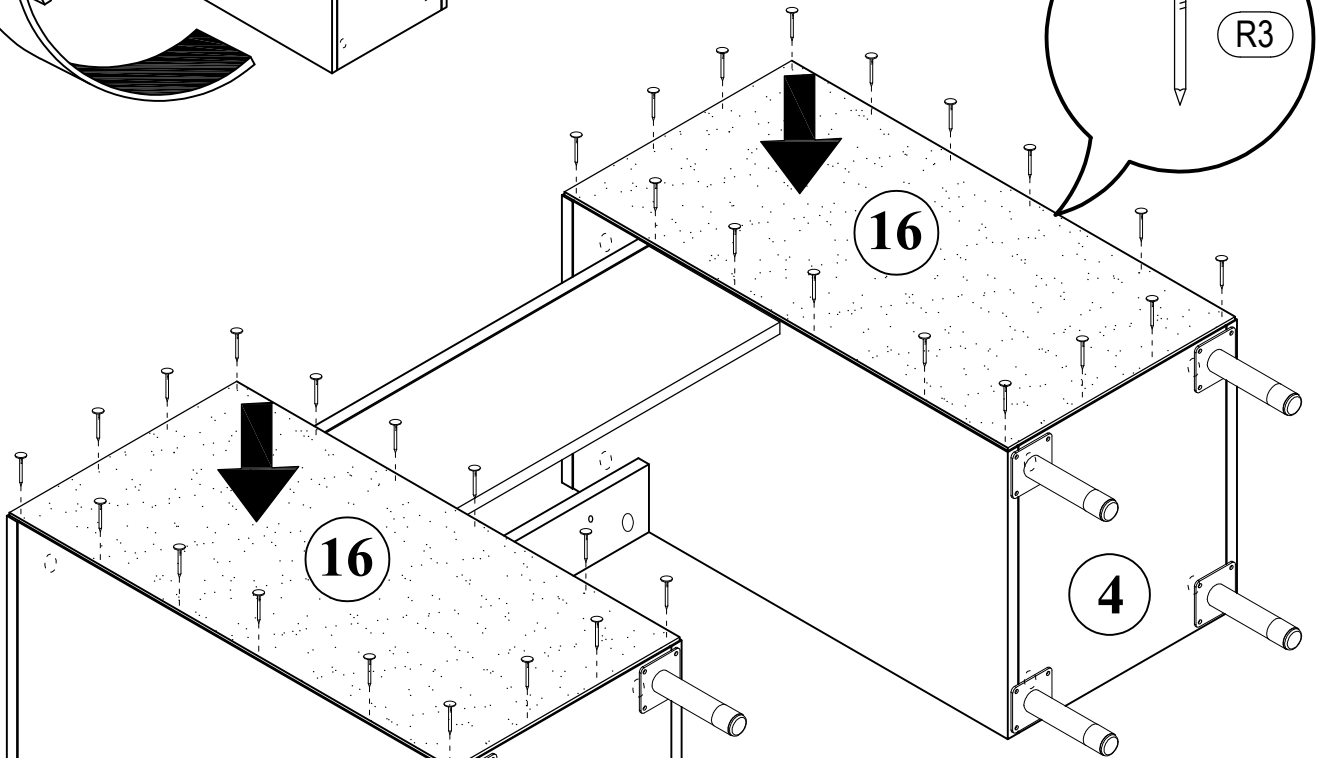
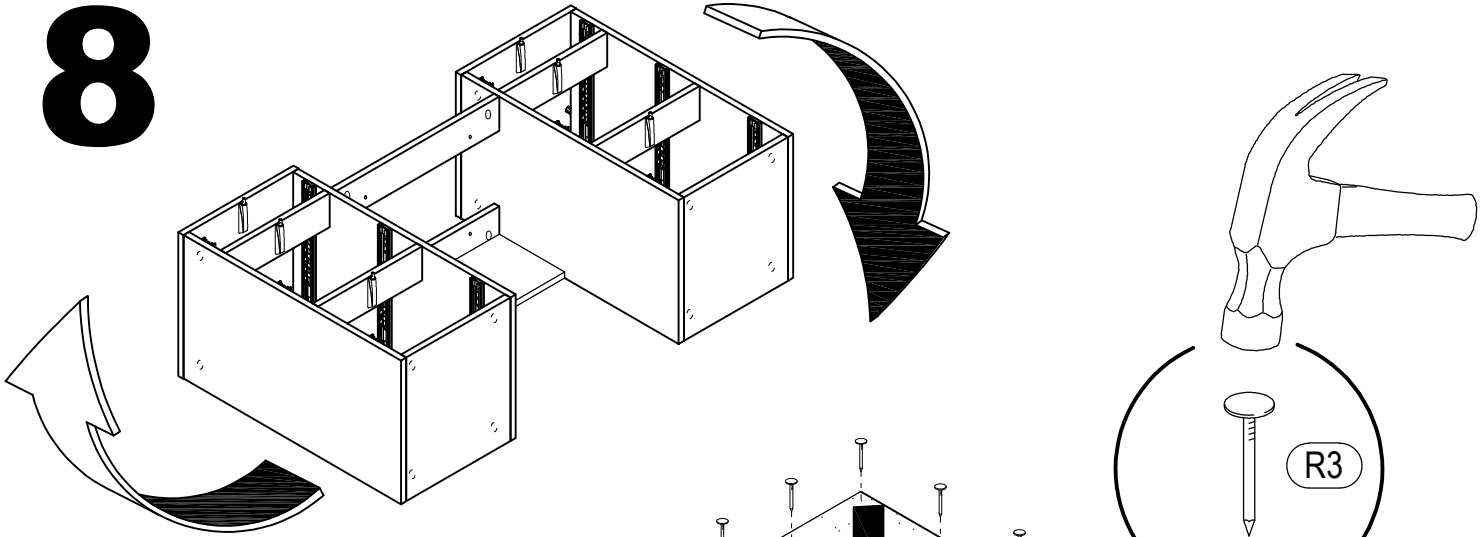


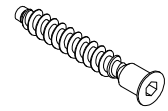
7



 E6 3,5*16mm x32	 K32 h-120mm x8	 R3 1.4*25mm 20g
---	--	---

8



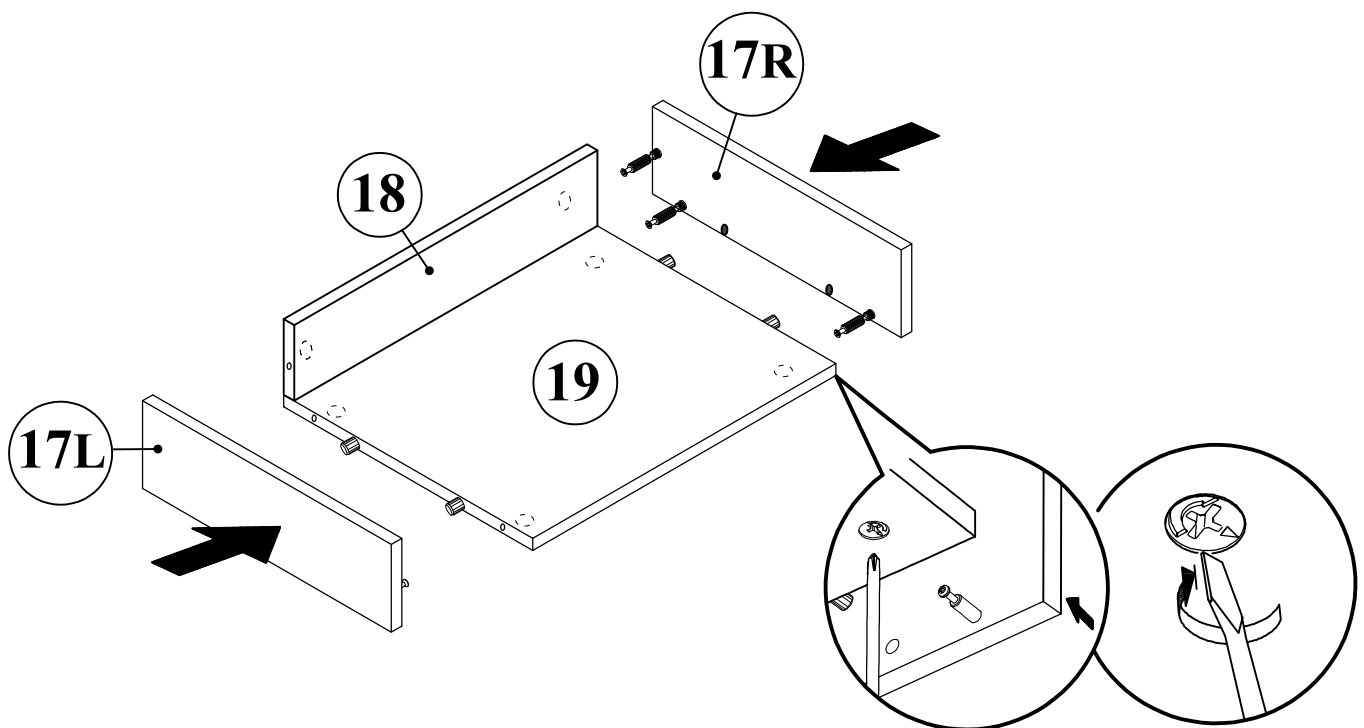
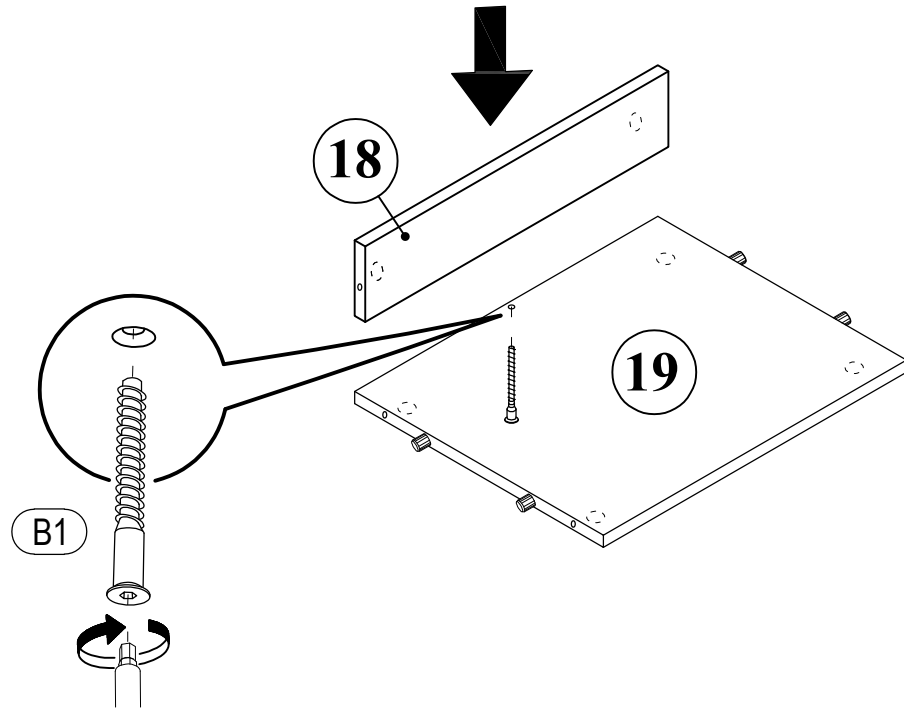


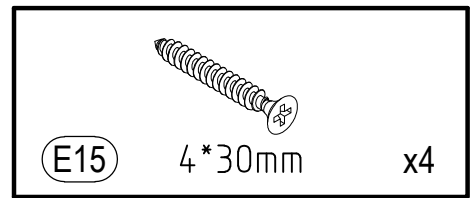
B1

6,3*50mm

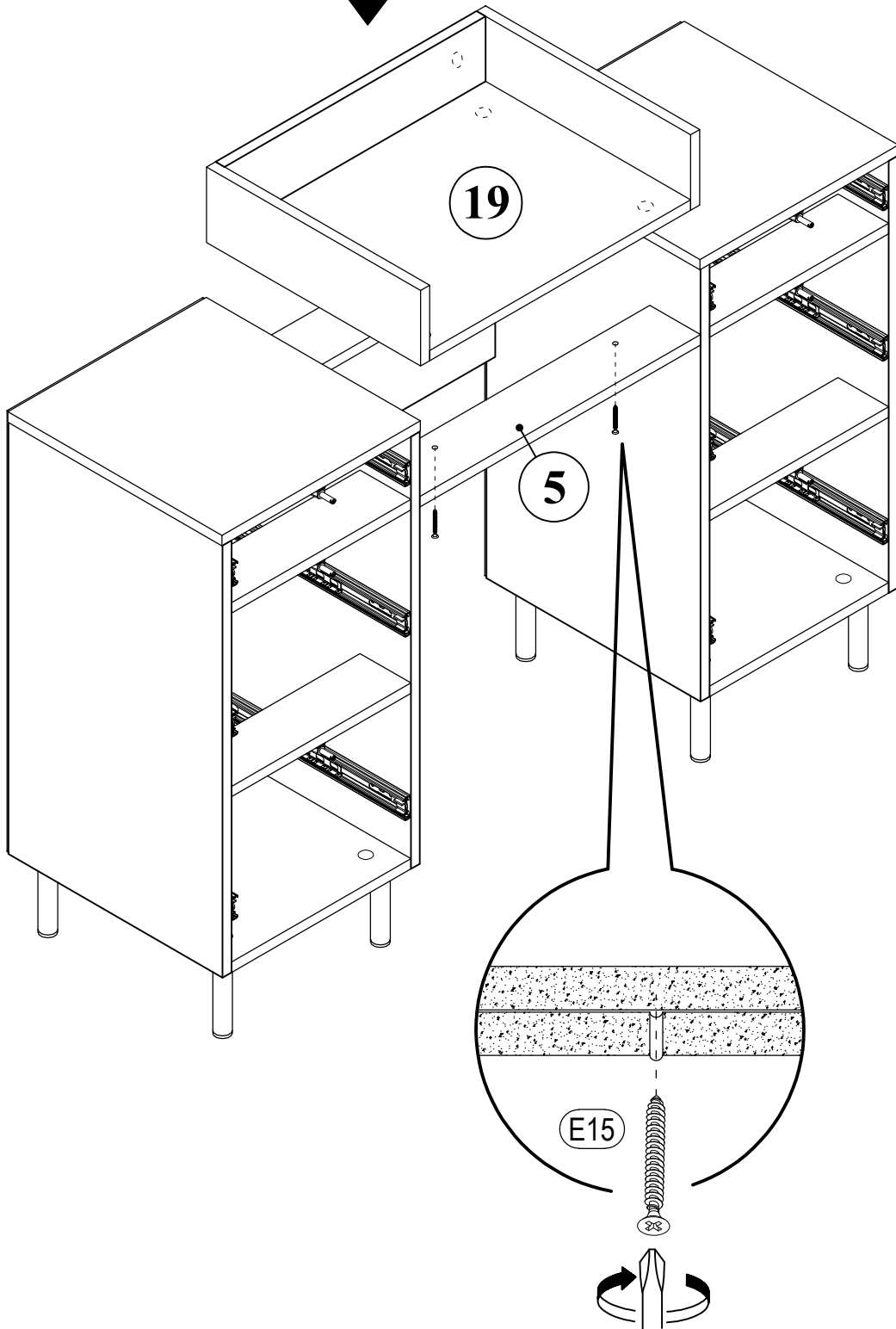
x1

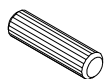
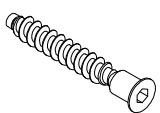
9





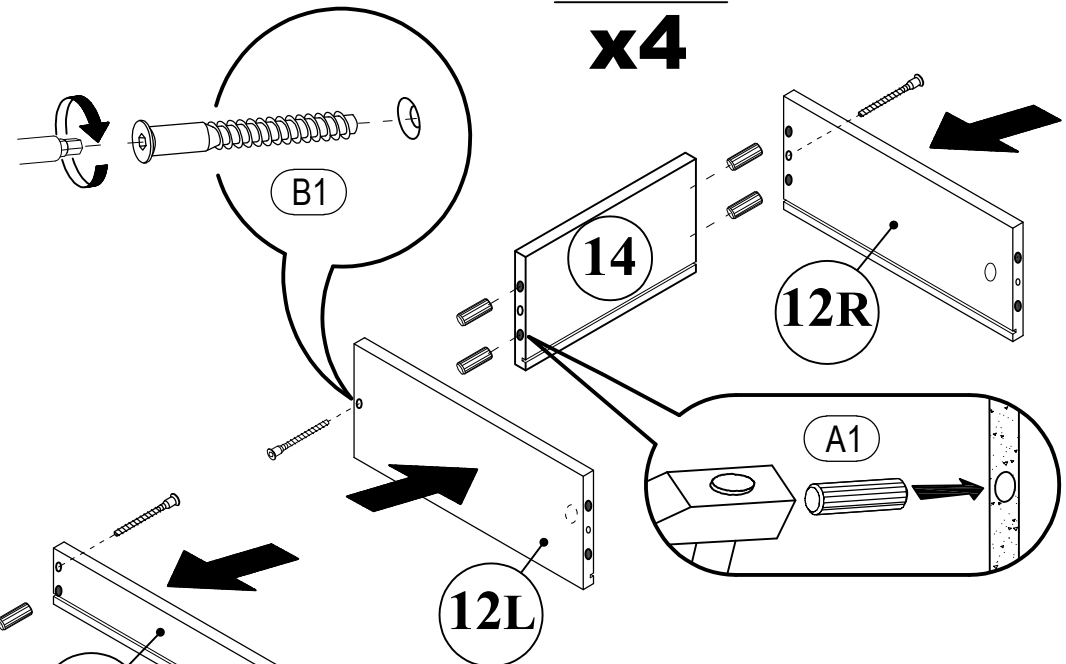
10



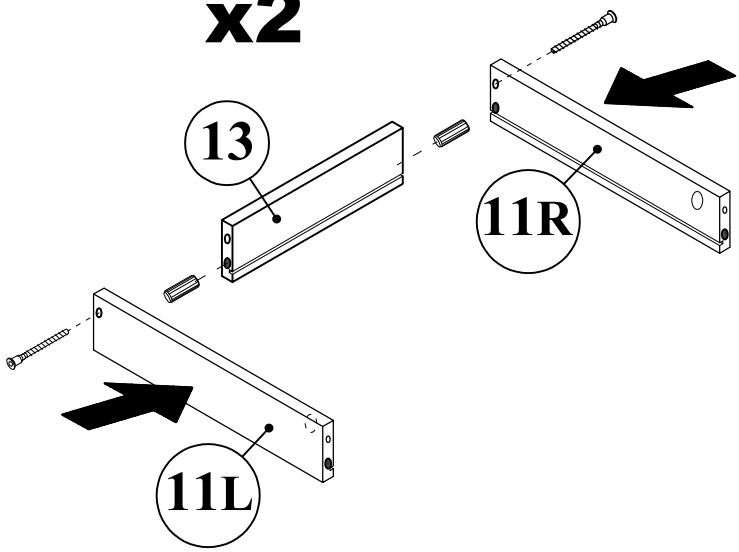
 A1 8*30mm x20	 B1 6,3*50mm x12
---	---

11

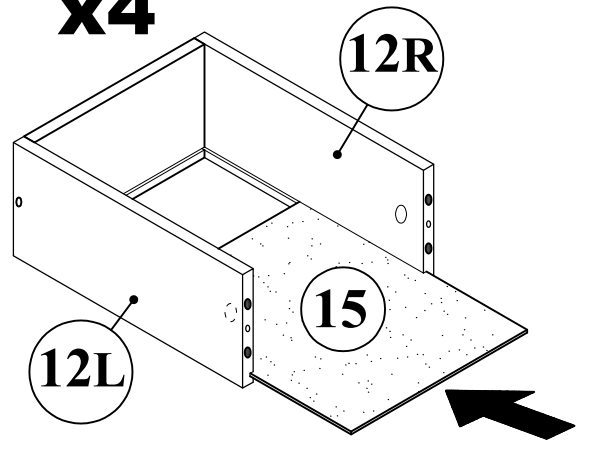
11.1 x4



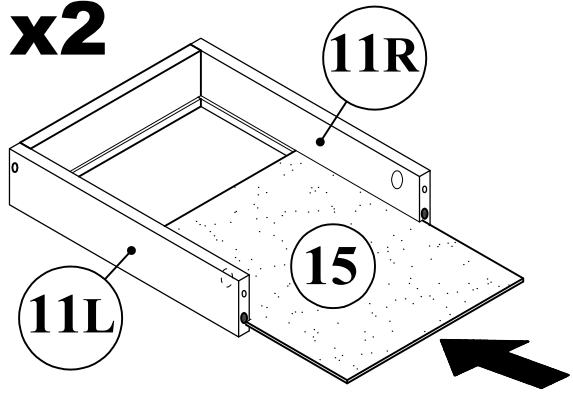
11.2 x2

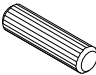
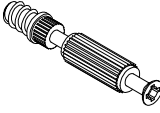
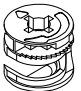



11.3 x4



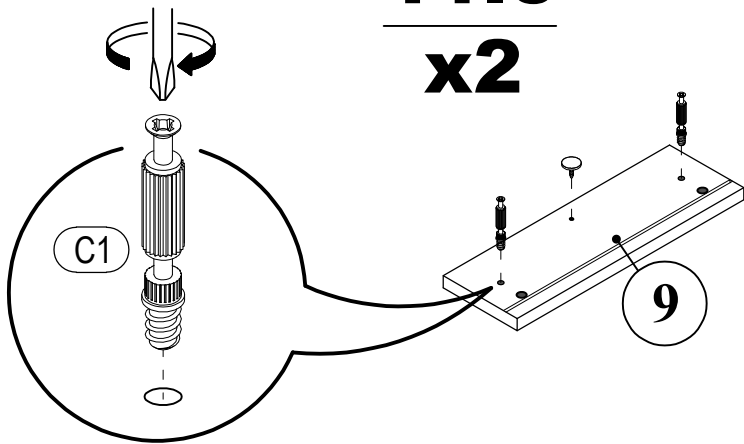
11.4 x2



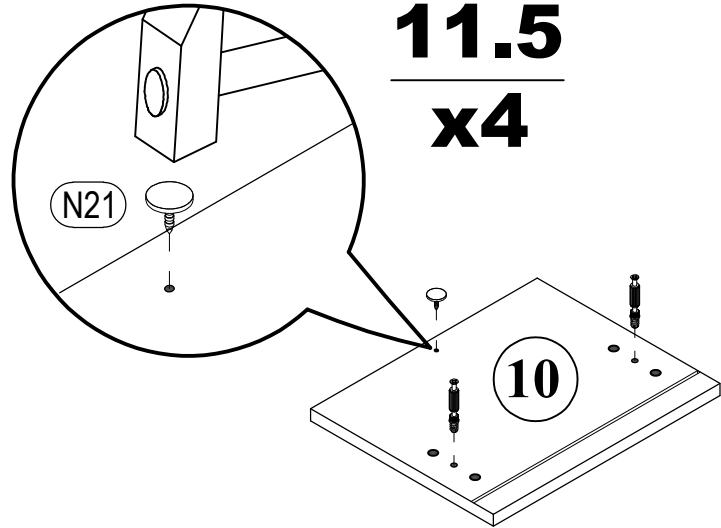
 A1 8*30mm x20	 C1 6*43mm x12	 D1 15/16 x12
 N21 P20 Magnet x6		

11

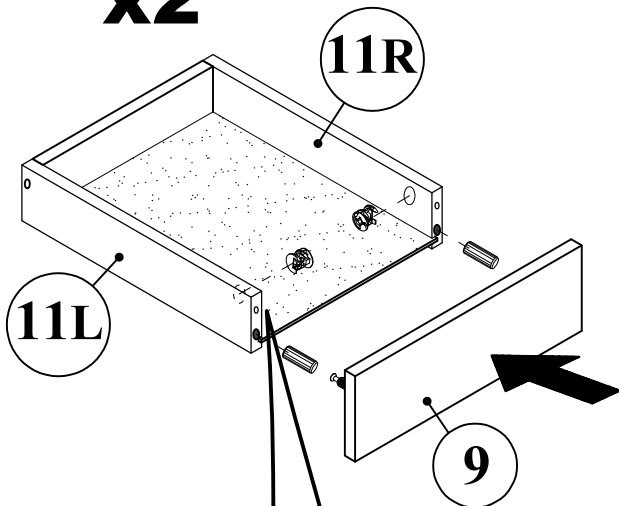
11.6
x2



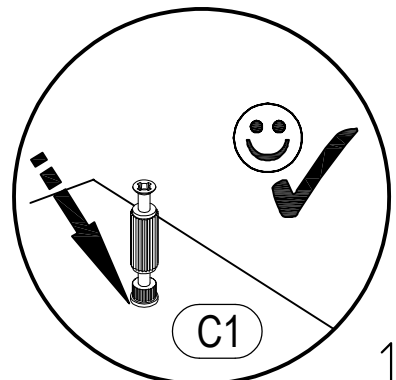
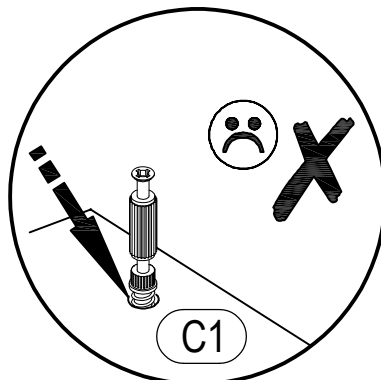
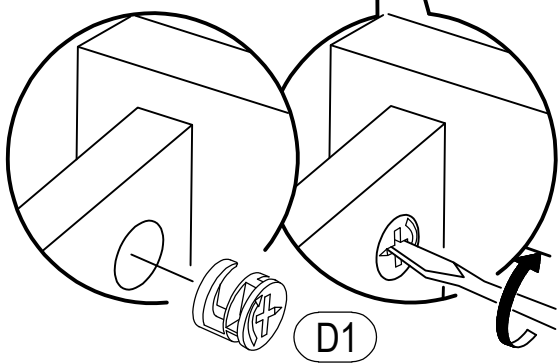
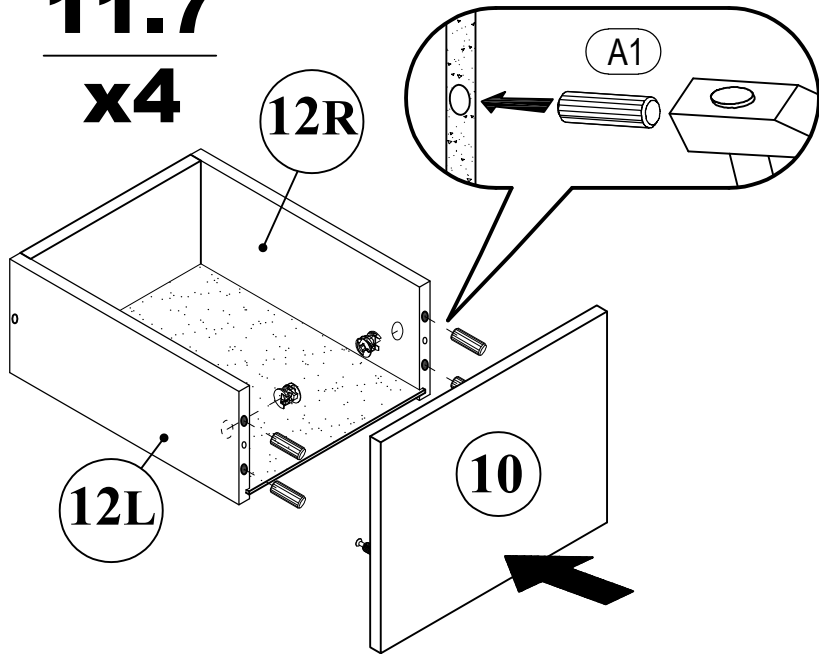
11.5
x4

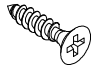
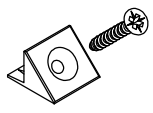
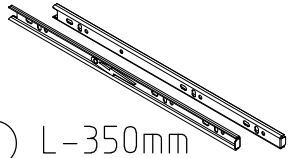


11.8
x2



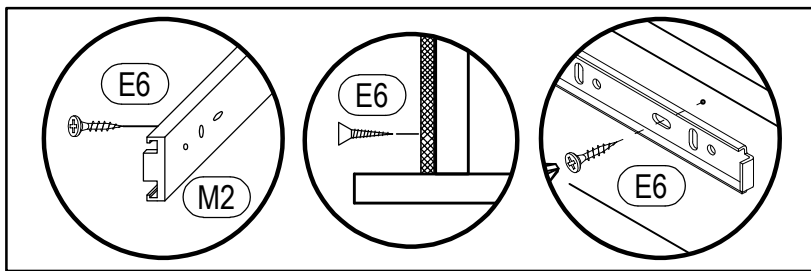
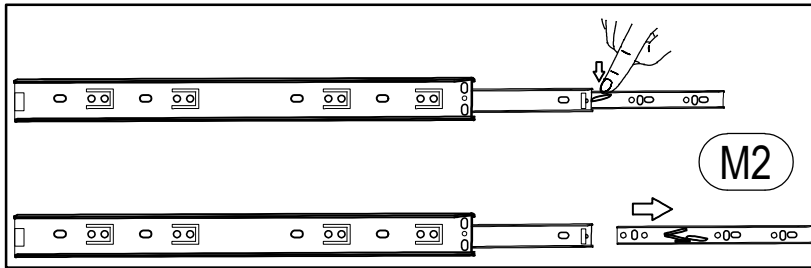
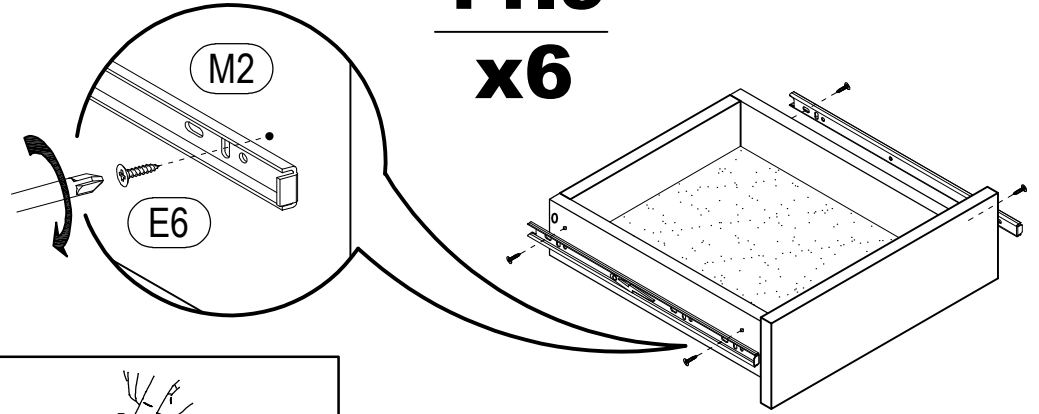
11.7
x4



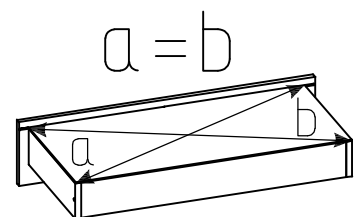
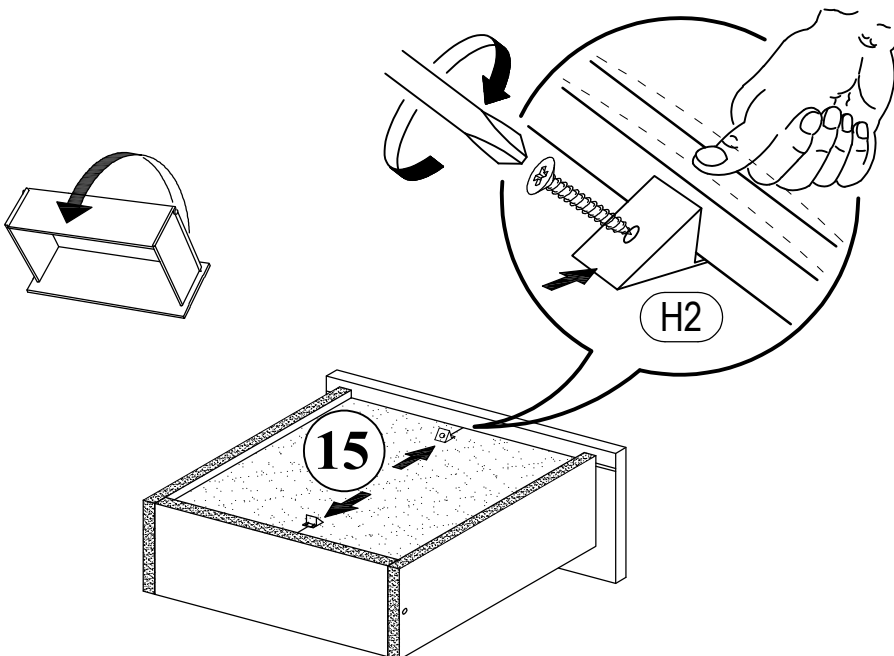
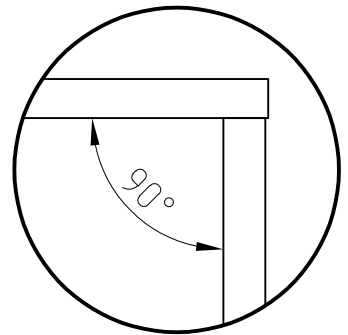
 E6 3,5*16mm x24	 H2 RV-8 x12	 M2 L-350mm x6
---	---	---



11

11.9 x6

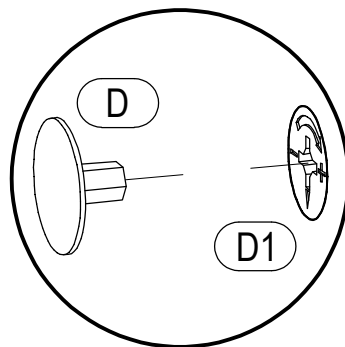
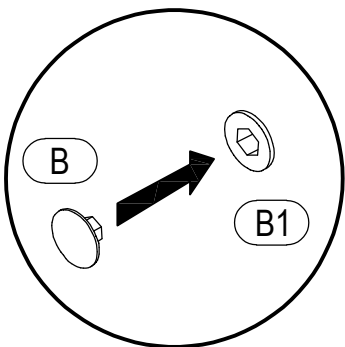
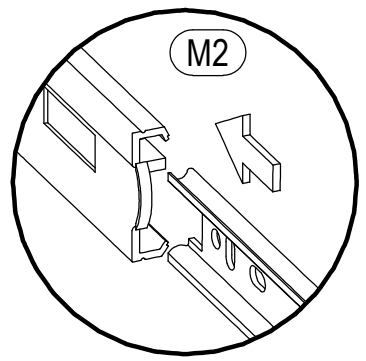
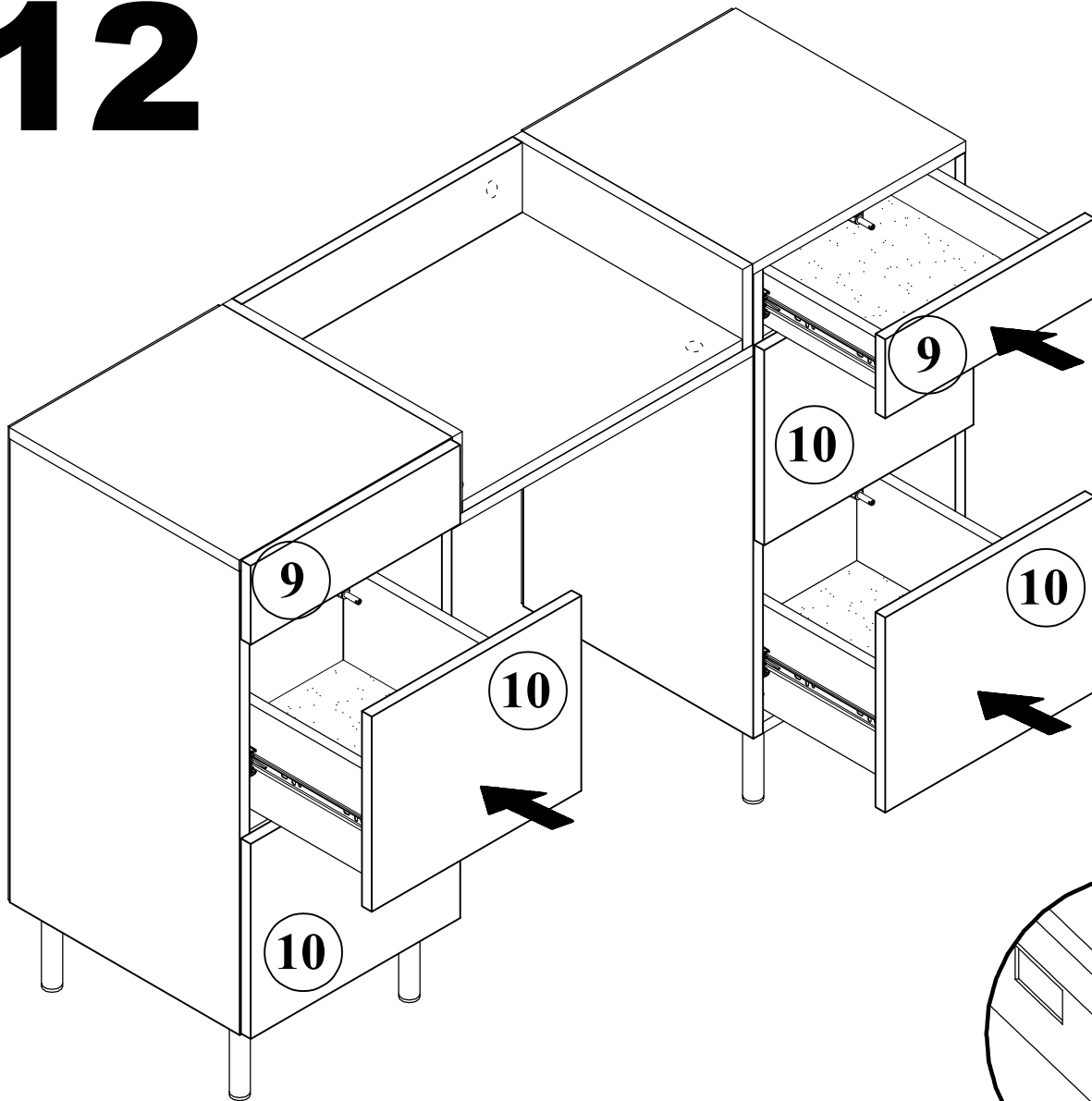


11.10 x6



	
(B) $\phi 12\text{mm}$ x17	(D) $\phi 20\text{mm}$ x38

12

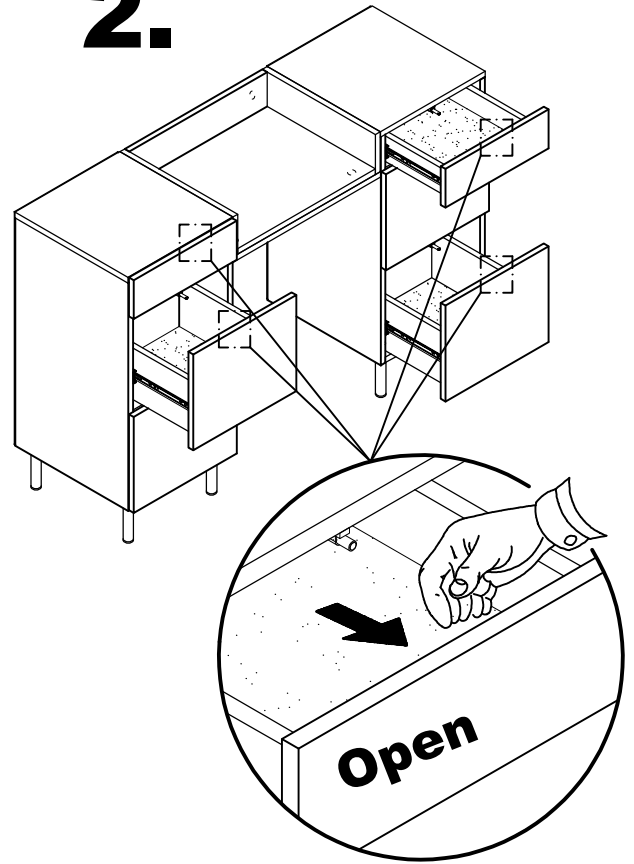
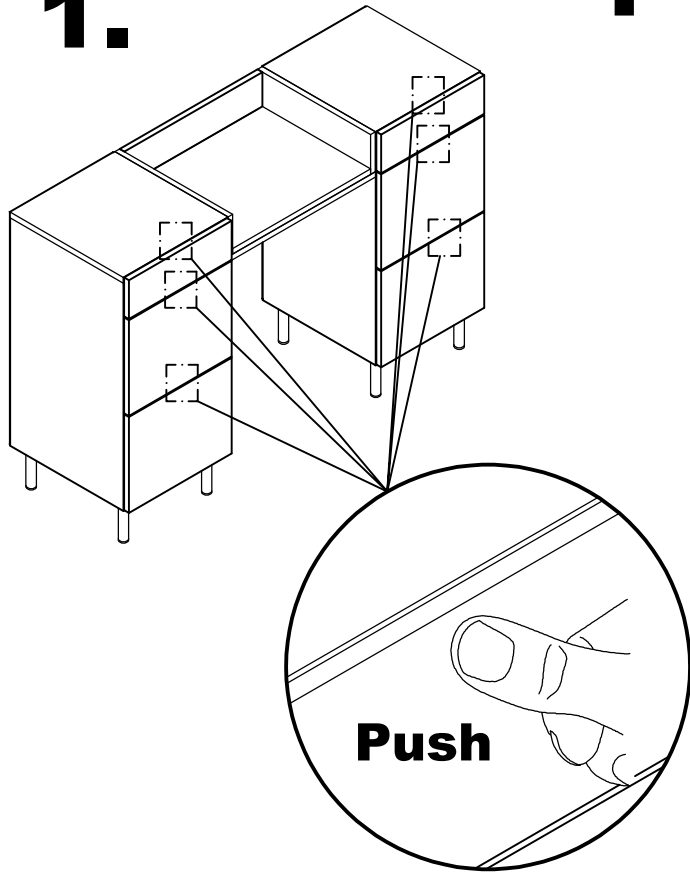


13

1.

Open

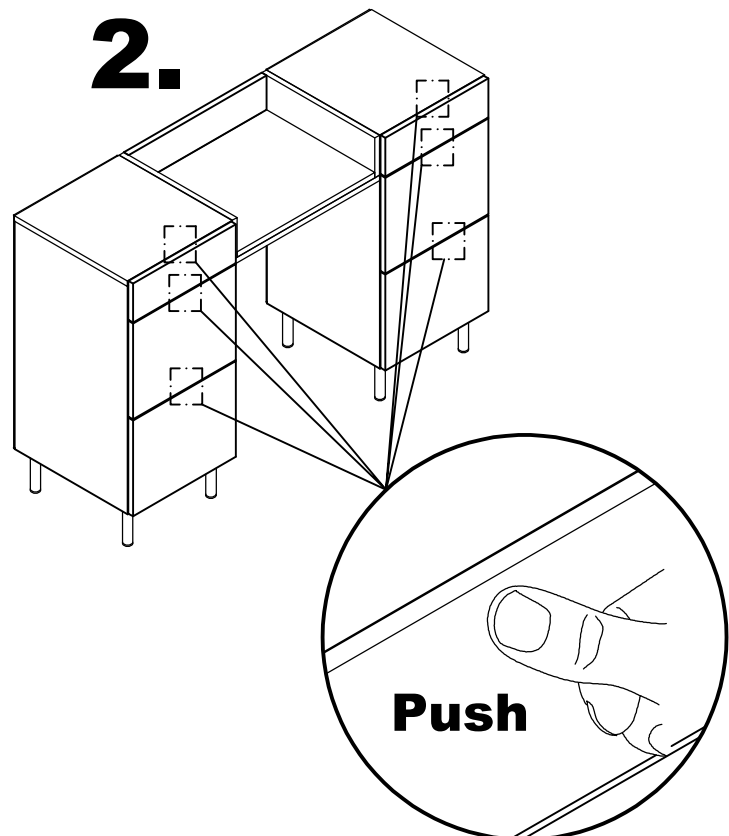
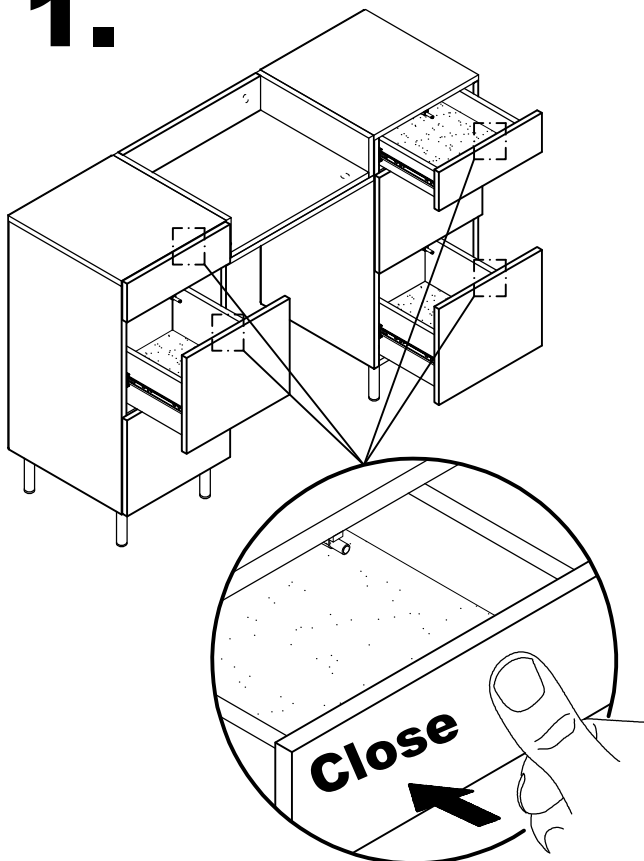
2.

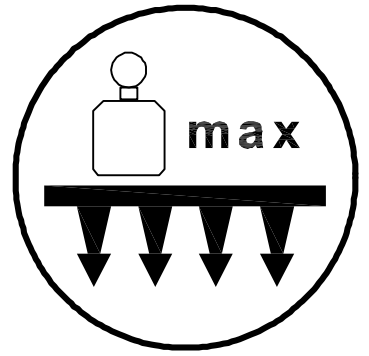


1.

Close

2.





max.
20 kg

max.
20 kg

