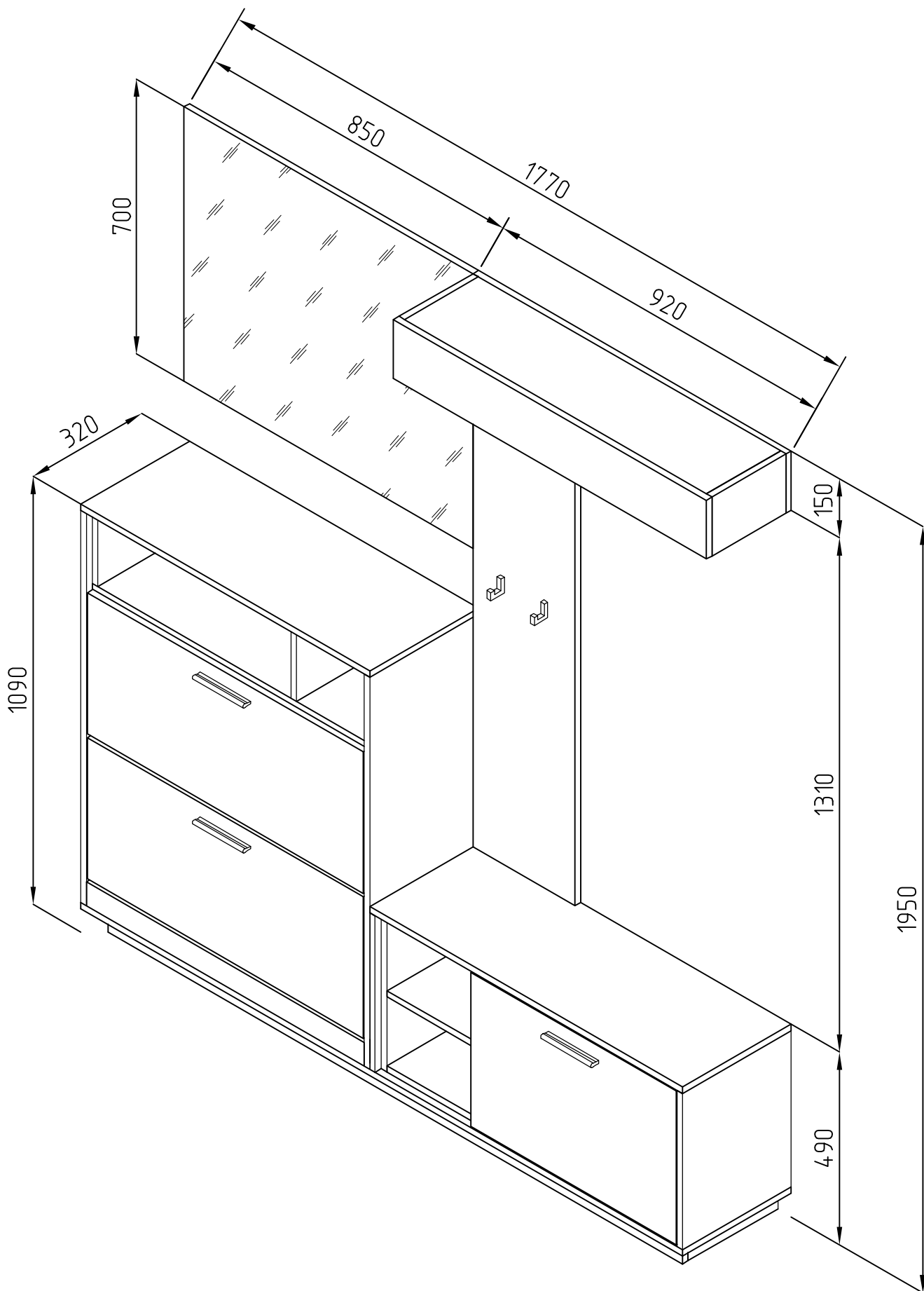
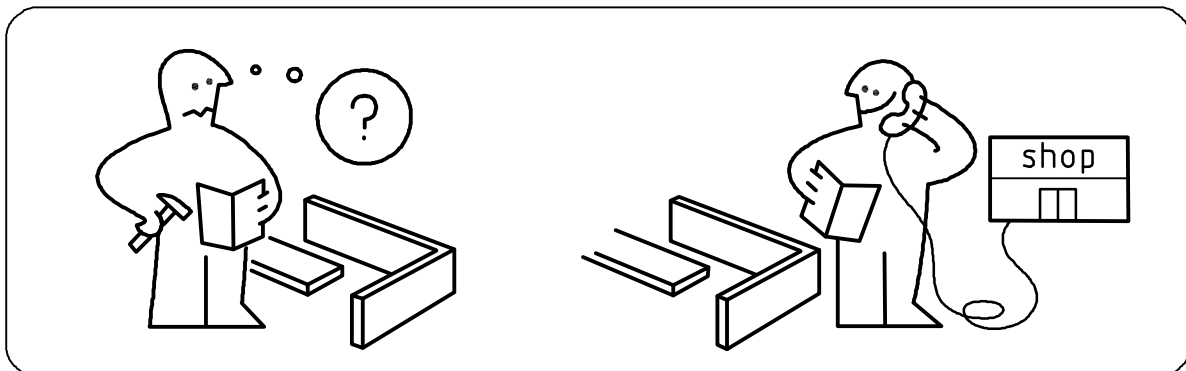
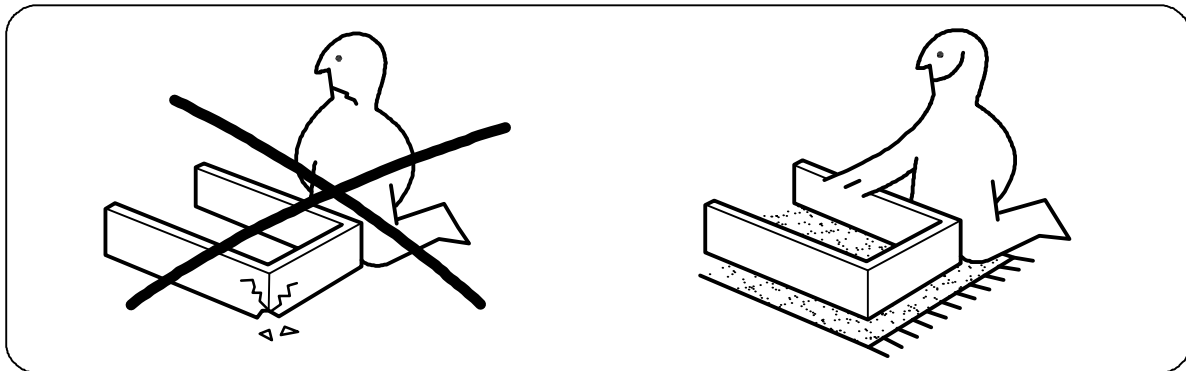
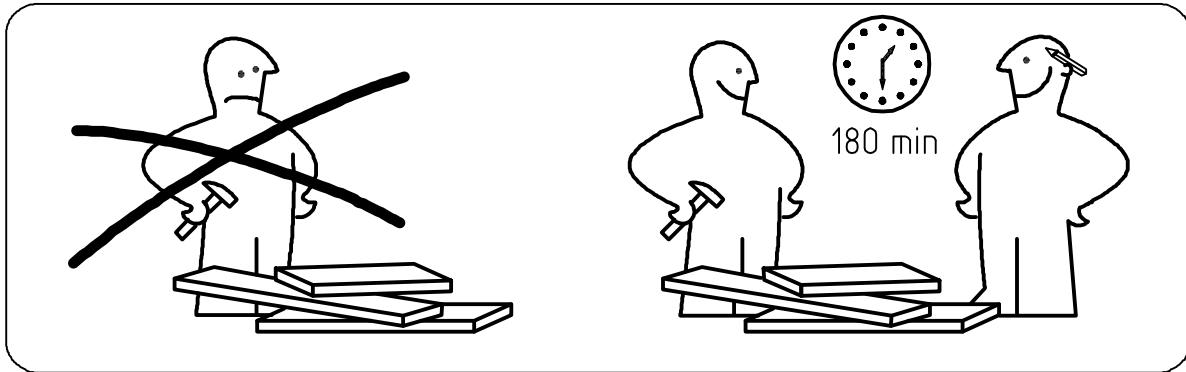
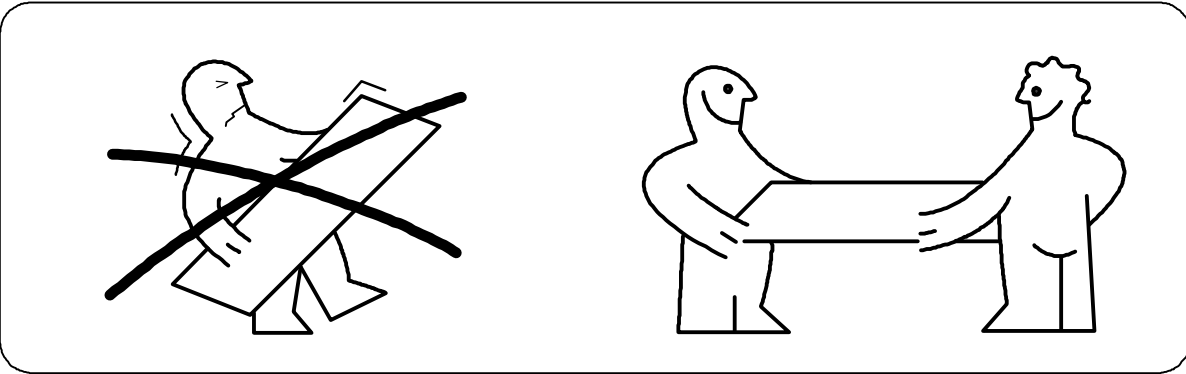
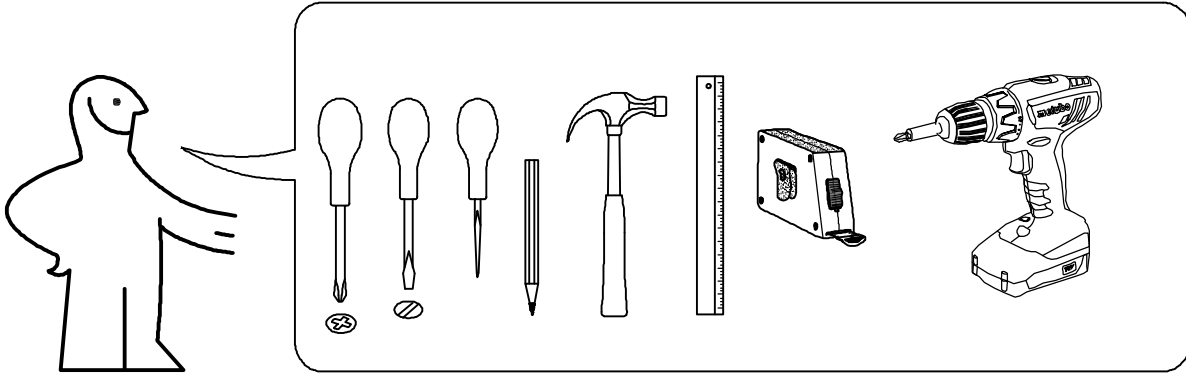
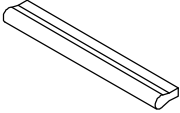

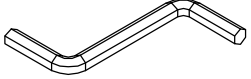

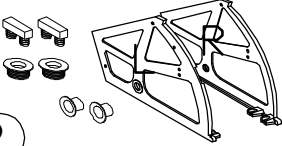



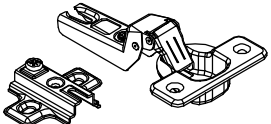
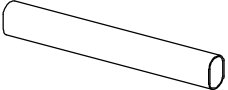



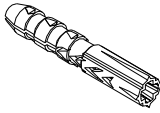
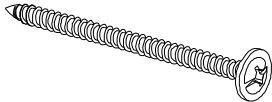
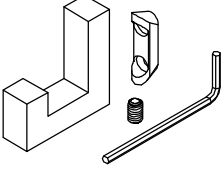

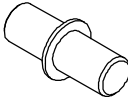
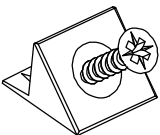
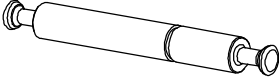
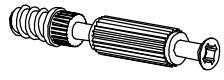

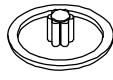



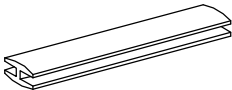
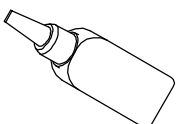


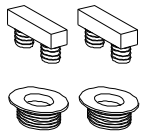
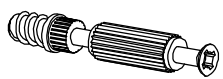
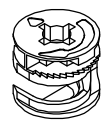
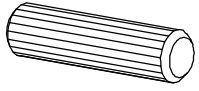
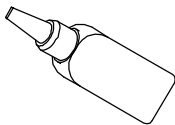
Heidi

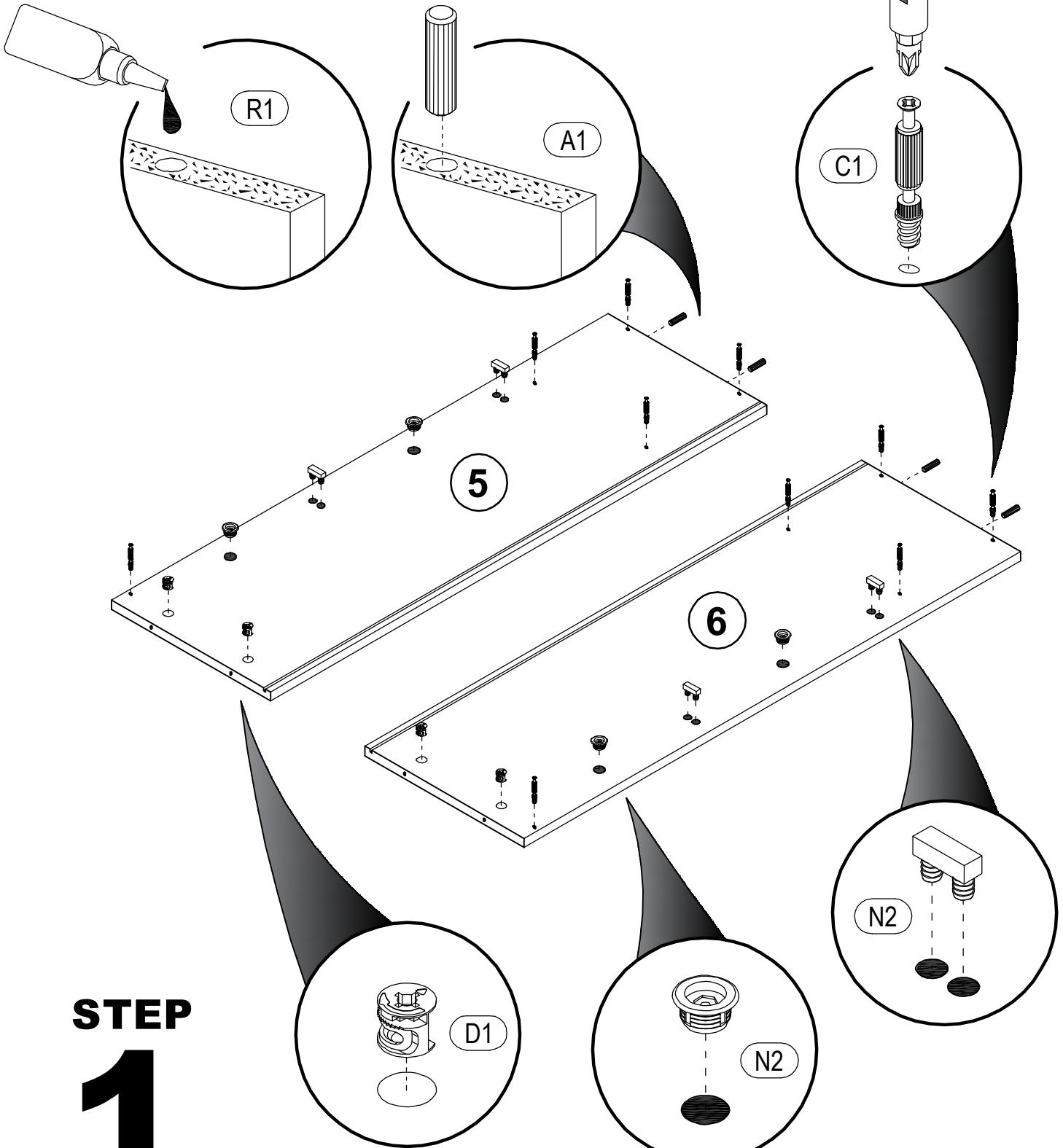




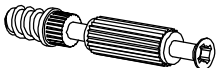
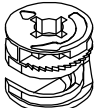

No	a*b	x
1	1770x320	1
2	818x60	1
3	850x320	1
4	920x320	1
5	998x320	1
6	998x320	1
7	398x320	1
8	398x320	1
9	398x288	1
10	398x288	1
11	171x272	3
12	171x818	1
13	366x252	1
14	818x288	1
15	818x288	1
16	252x288	2
17	252x267	1
18	604x283	1
19	604x392	1
20	812x360	2
21	808x142	4
22	808x90	2
23	264x60	4
24	1690x60	1
25	1310x300	1
26	850x700	1
27	888x218	1
28	218x150	2
29	920x150	1
30	920x150	1
31	503x828	2
32	407x897	1

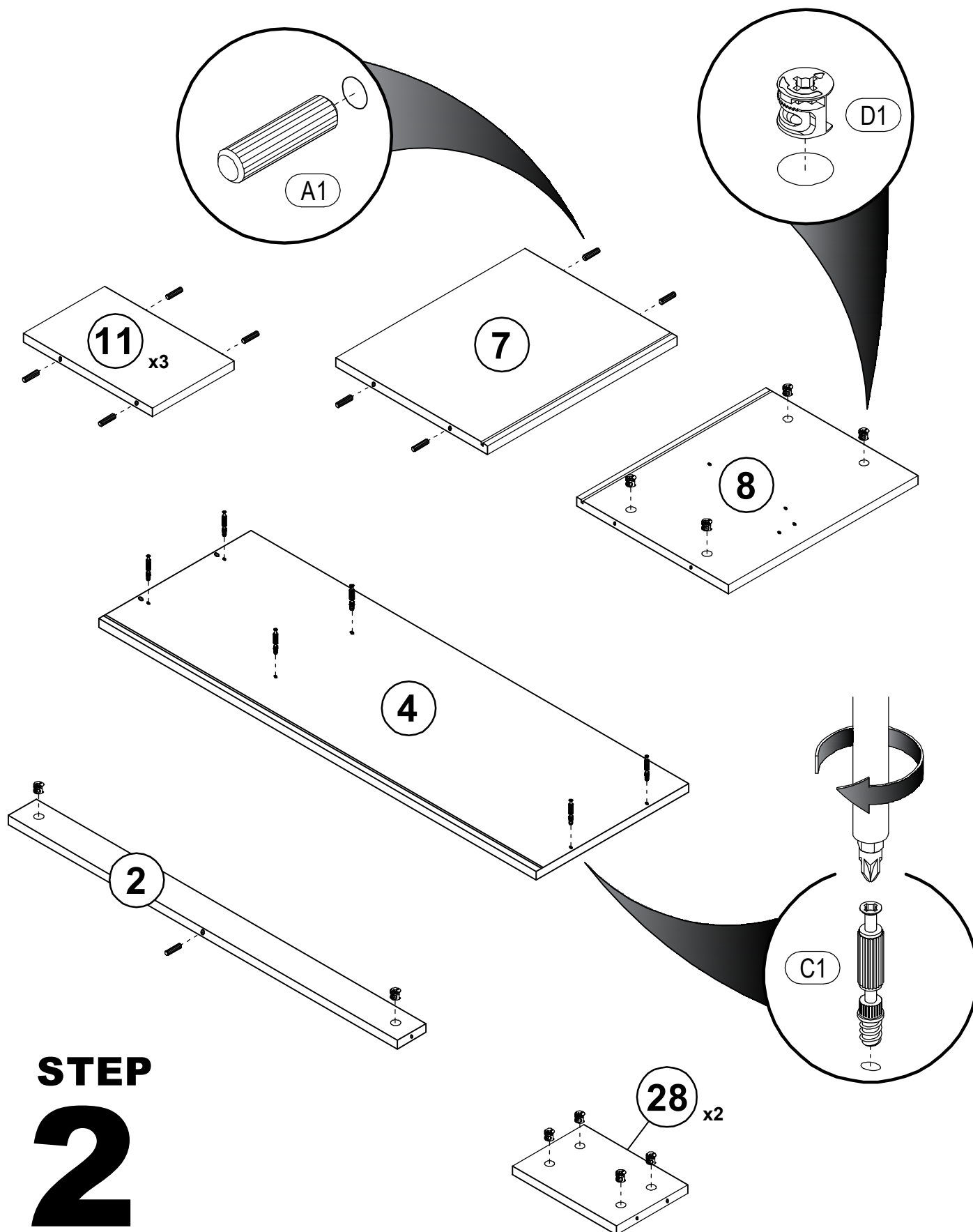
 <p>I2 x3</p>	 <p>E-1 4*25mm x6</p>	 <p>R4 №4 x1</p>
 <p>K1 x7</p>	 <p>N2 x2</p>	 <p>F4 5*13 x12</p>
 <p>F3 6,3*13 x16</p>	 <p>E5 3,5x16 x32</p>	 <p>L3 x2</p>
 <p>P5 L- 213 x2</p>	 <p>P4 x4</p>	 <p>E6 3x15 x12</p>
 <p>H14 x4</p>	 <p>H5 8*50mm x4</p>	 <p>E22 4,2*65mm x4</p>
 <p>X1 x4</p>	 <p>N12 x2</p>	 <p>J1 5*16 mm x8</p>
 <p>H2 x18</p>	 <p>C2 8*56mm x2</p>	 <p>C1 6x43mm x42</p>
 <p>D1 15/16 x46</p>	 <p>D Ø20mm x46</p>	 <p>B1 x6</p>
 <p>B Ø12mm x6</p>	 <p>A1 8*30mm x42</p>	 <p>P10 L- 818 mm x1</p>
 <p>R1 x1</p>		

 N2 x2	 C1 6x43mm x10	 D1 15/16 x4
 A1 8*30mm x4	 R1 x1	

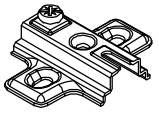

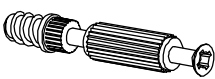

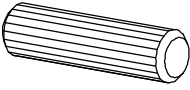


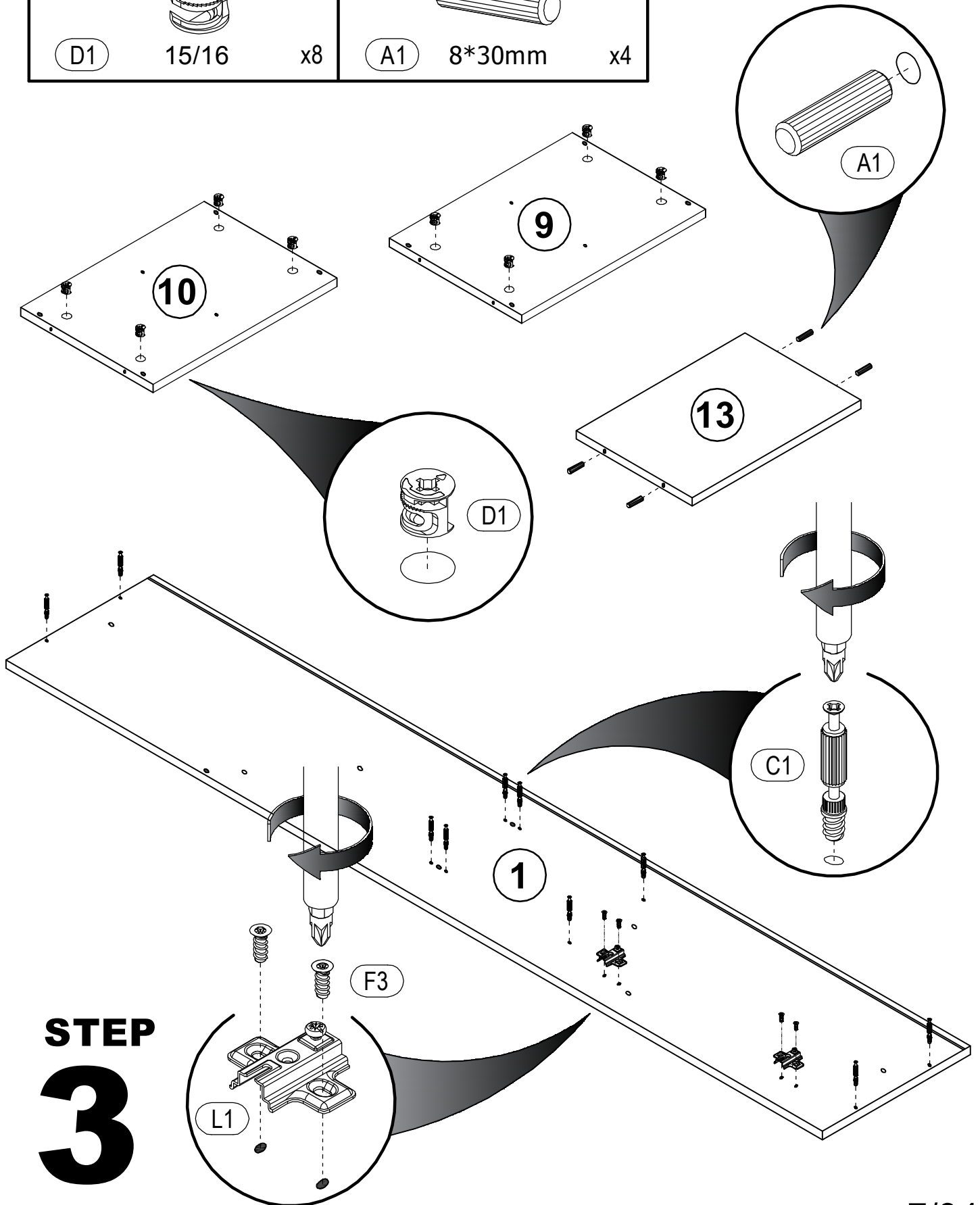
STEP
1

 C1 6x43mm x6	 D1 15/16 x14	 A1 8*30mm x17
--	--	---


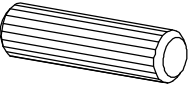


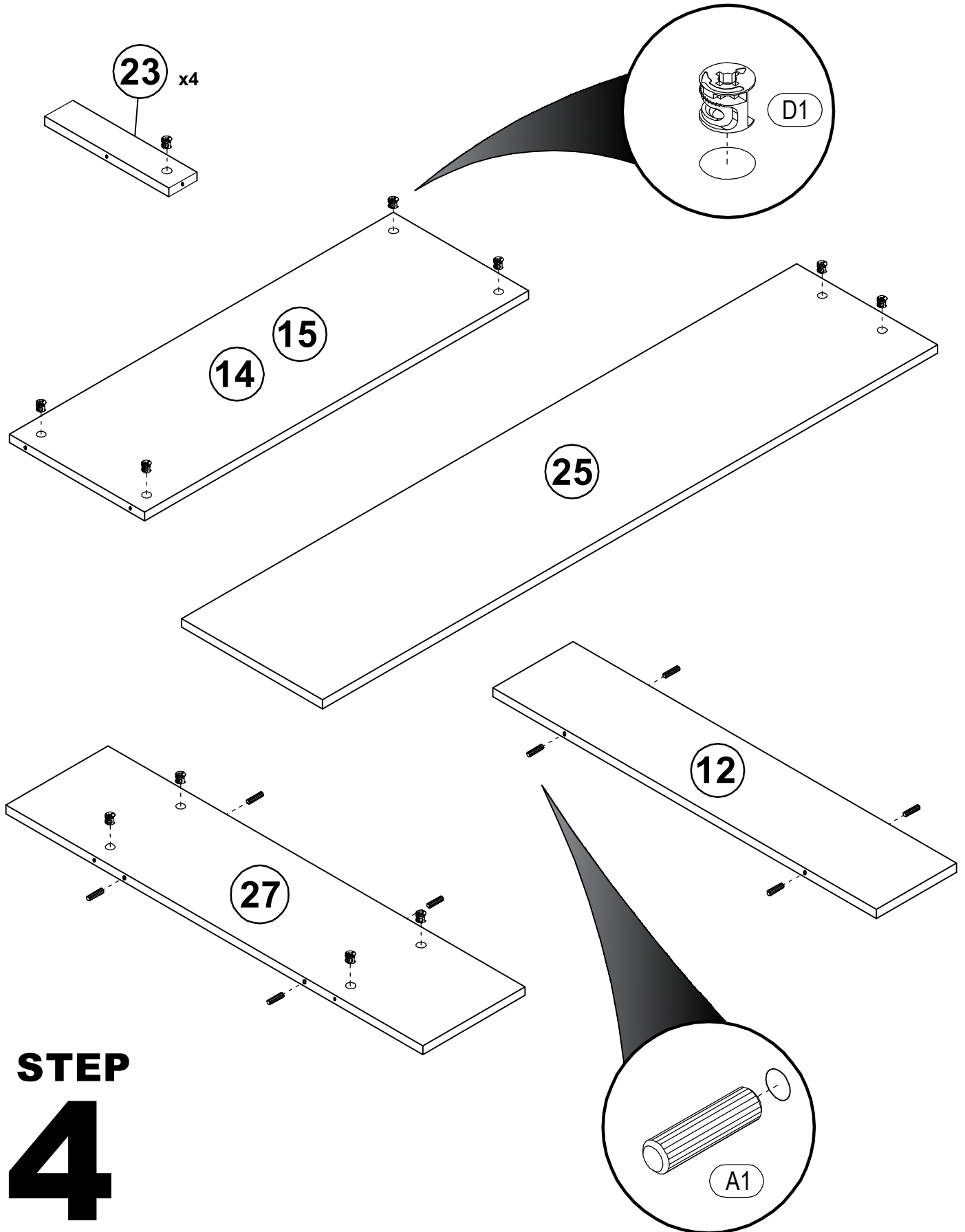
STEP
2

 <p>L3 x2</p>	 <p>F3 6,3*13 x4</p>	 <p>C1 6x43mm x10</p>
 <p>D1 15/16 x8</p>	 <p>A1 8*30mm x4</p>	

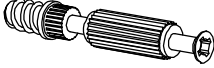
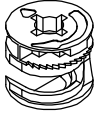
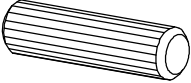


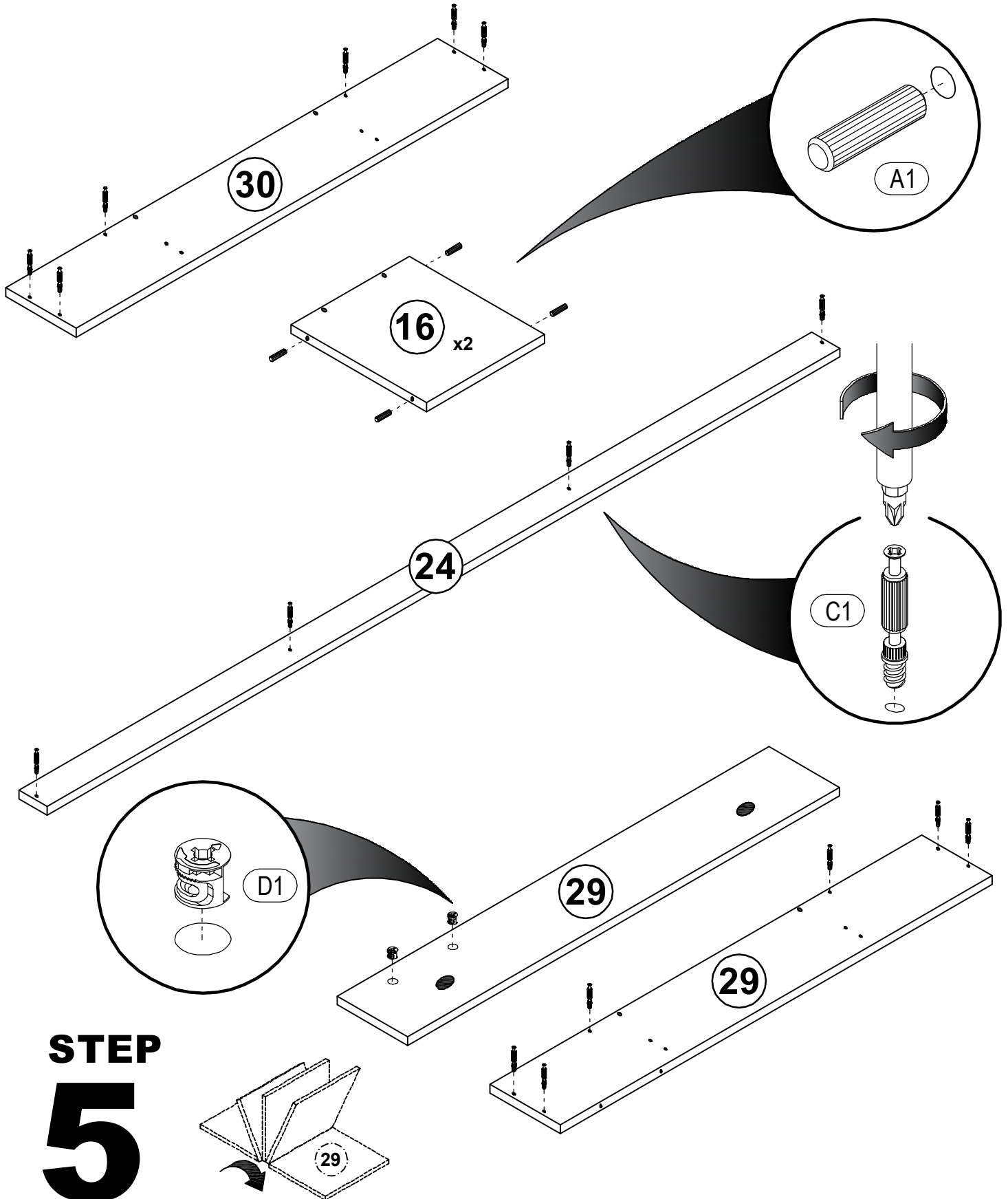
STEP
3

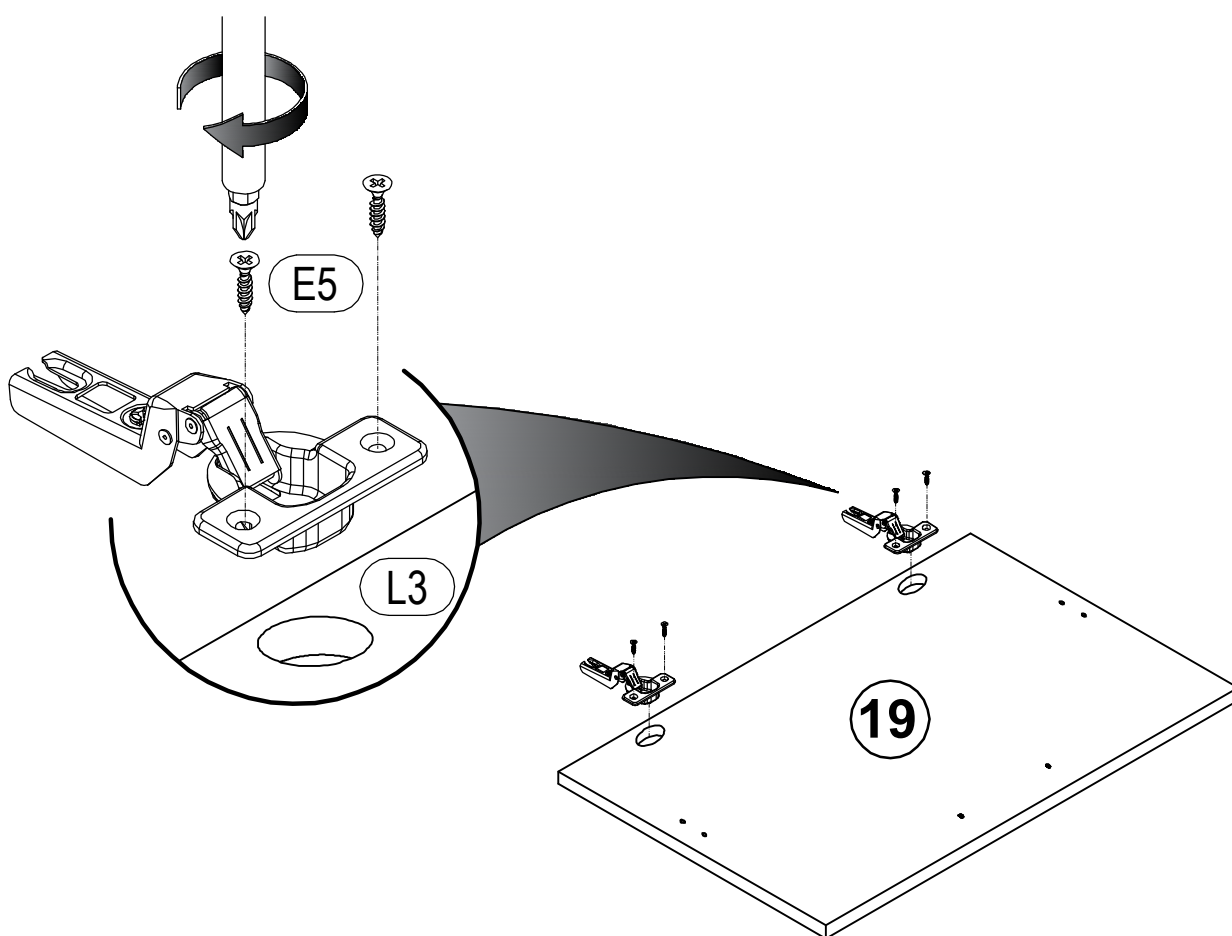
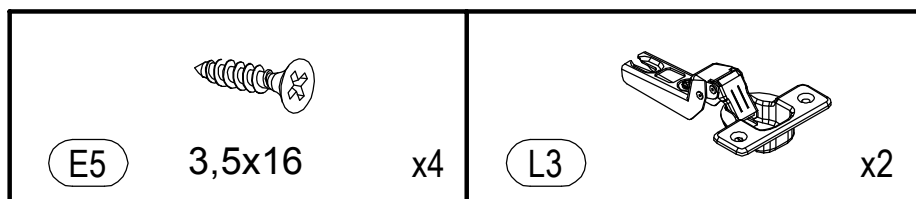
	
D1	A1
15/16	8*30mm
x18	x8



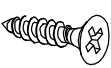
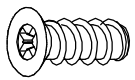
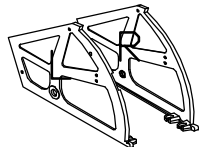
STEP
4

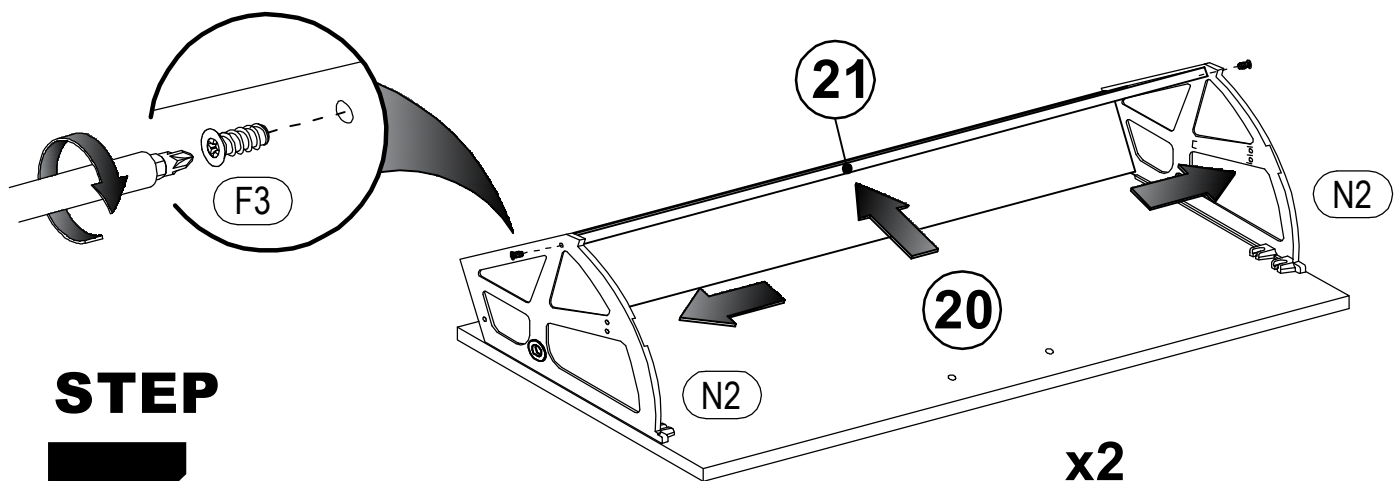
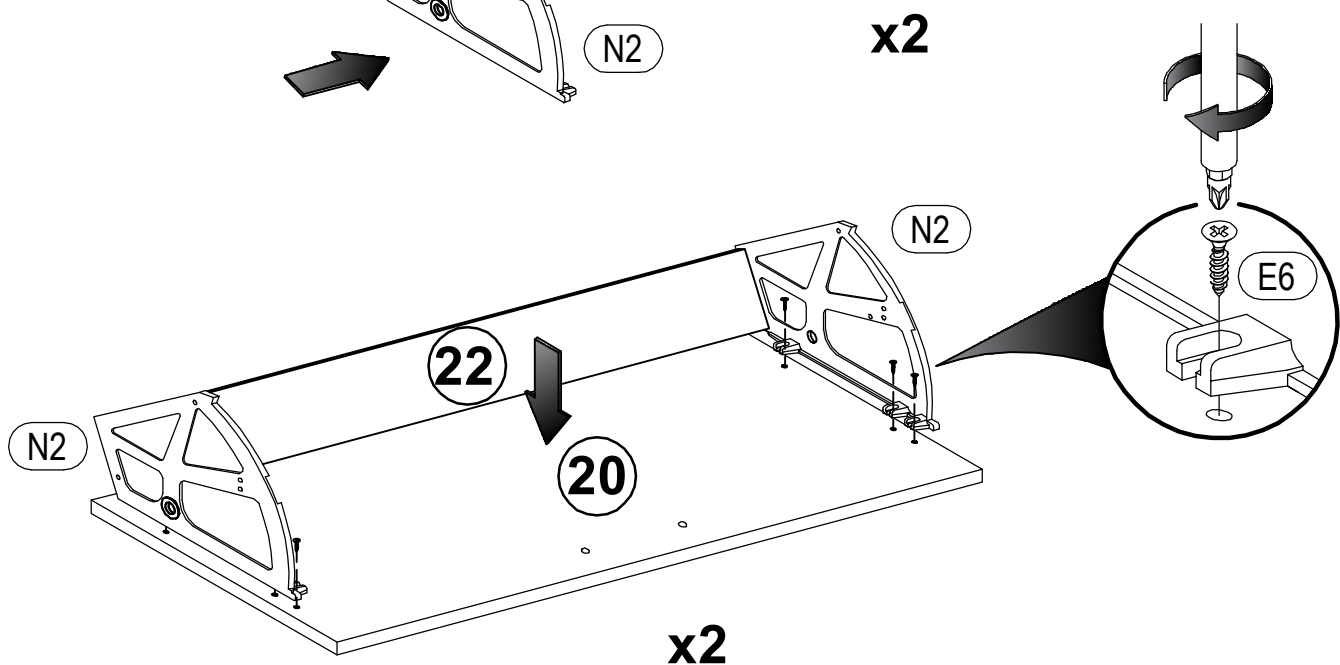
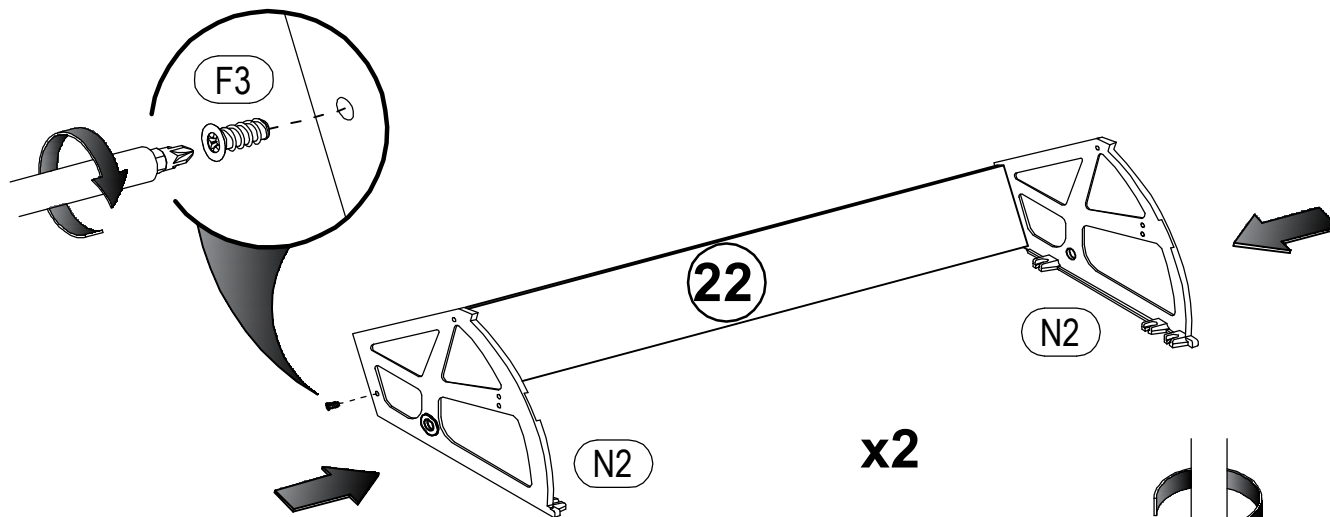
 C1 6x43mm x16	 D1 15/16 x2	 A1 8*30mm x8
--	--	---



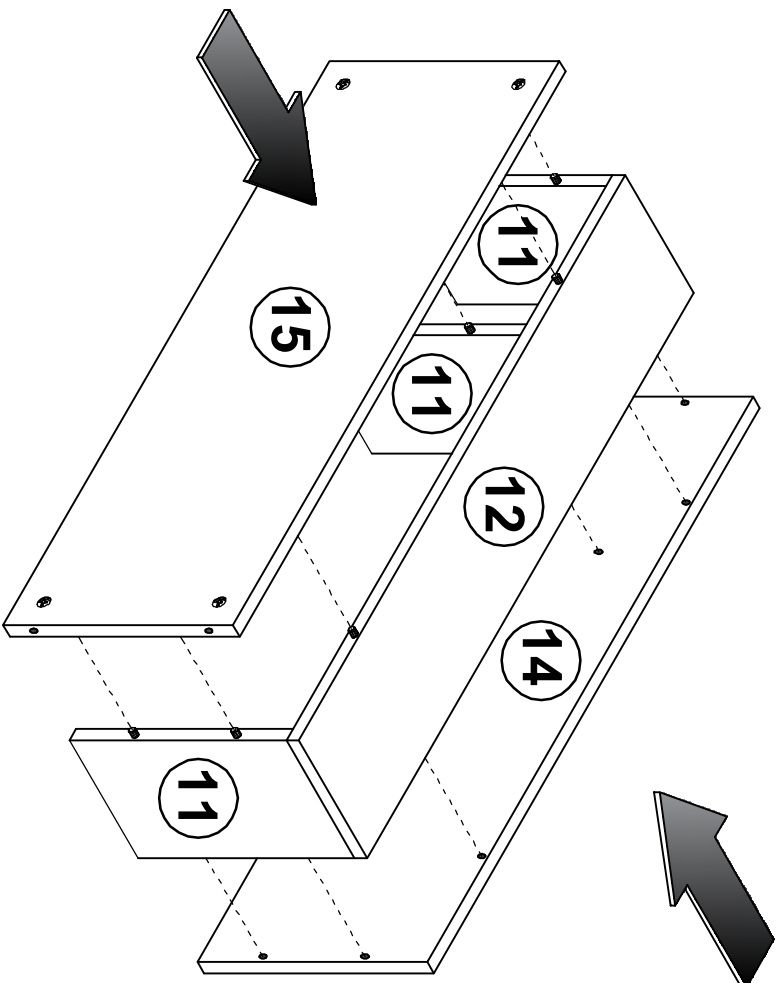


STEP
6

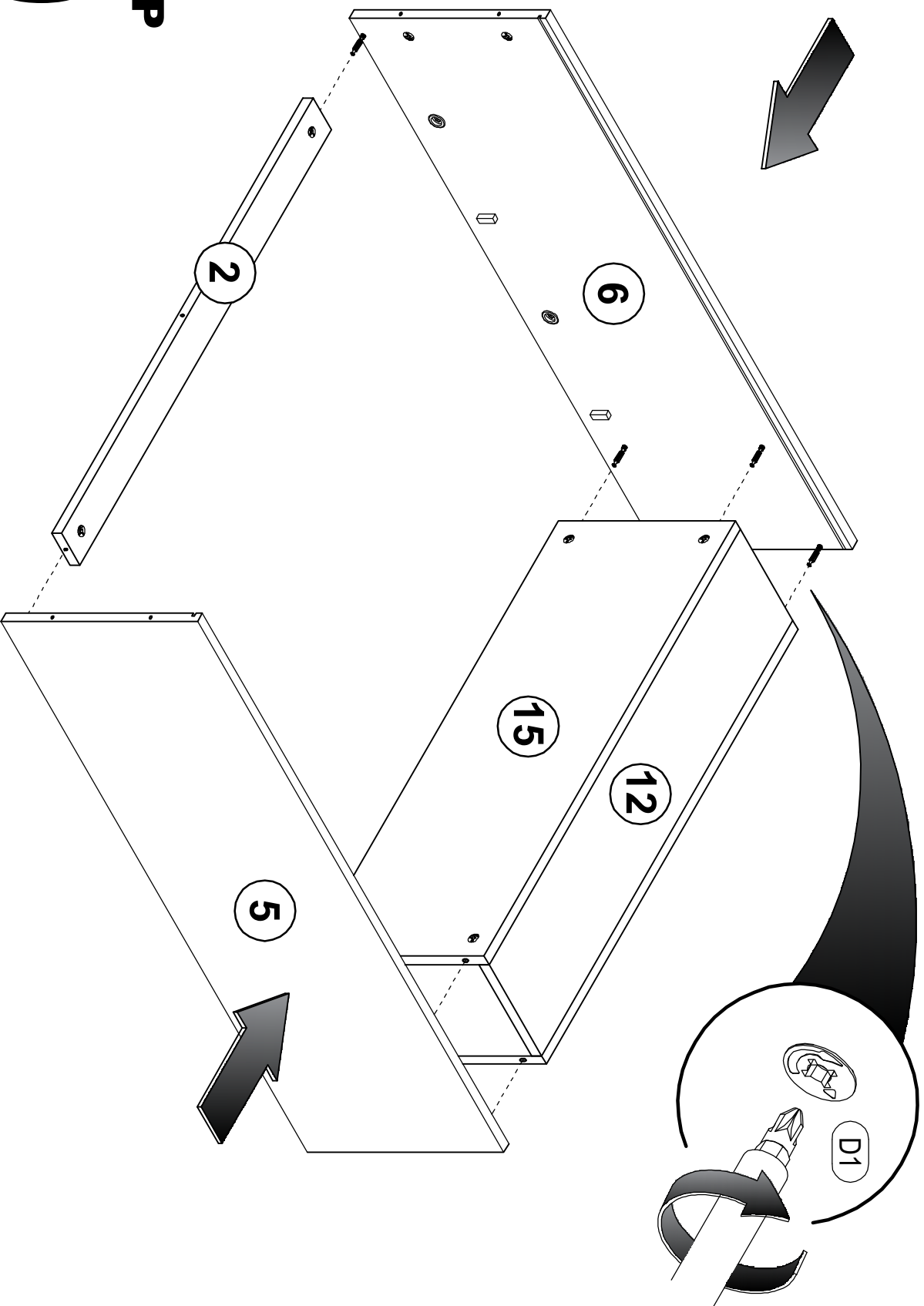
 E6 3x15 x12	 F3 6,3*13 x8	 N2 x2
--	---	---



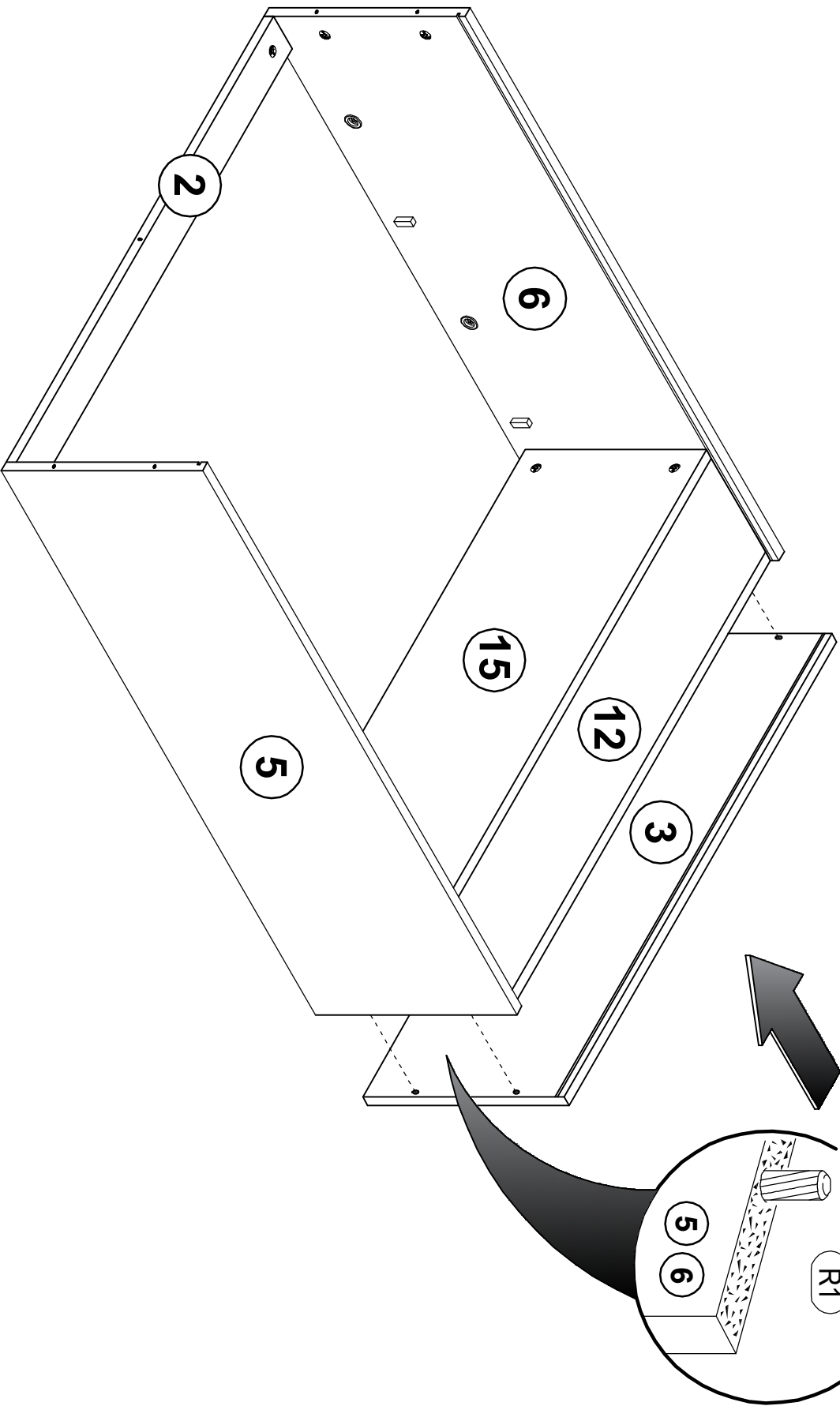
STEP
7



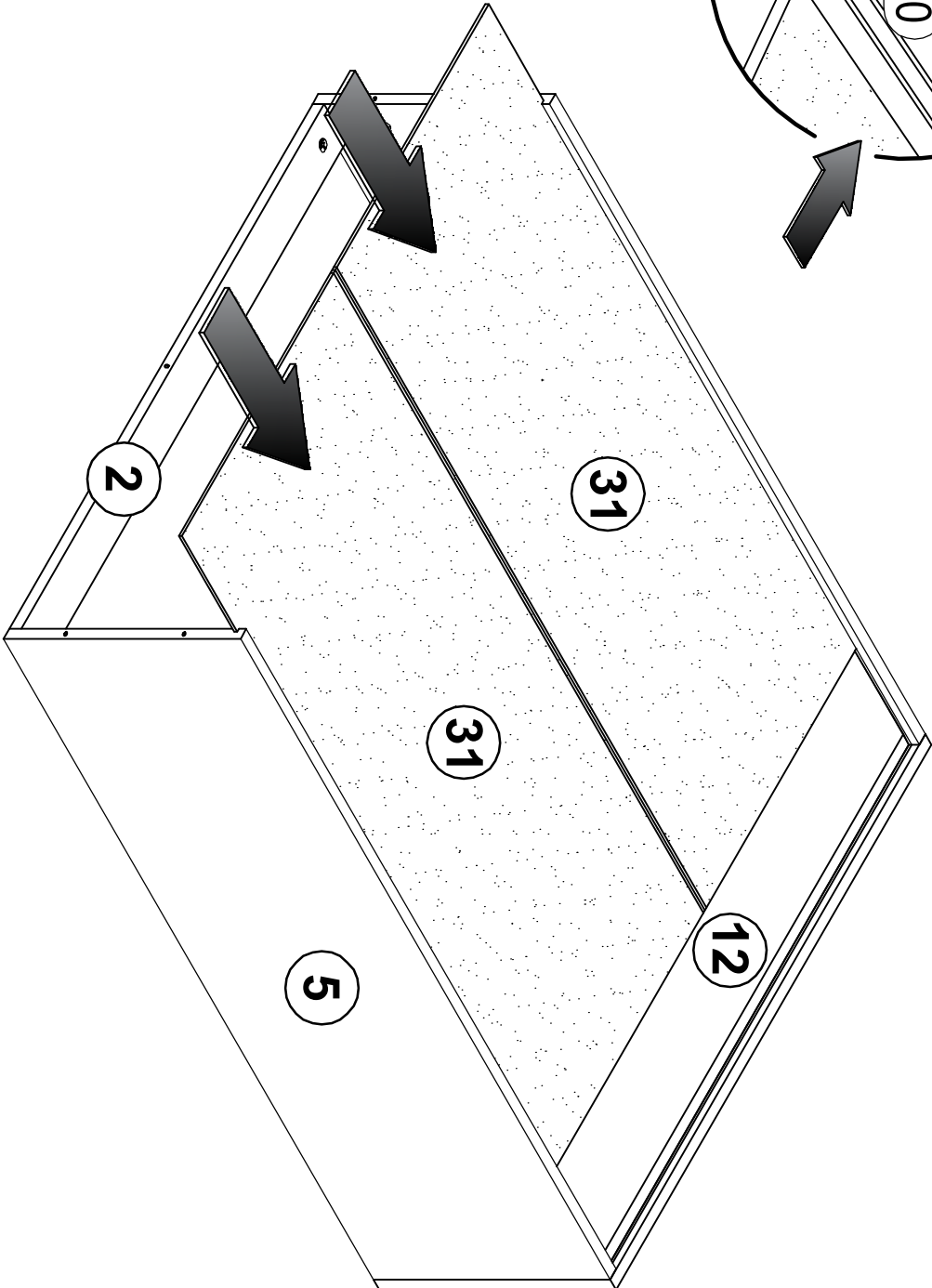
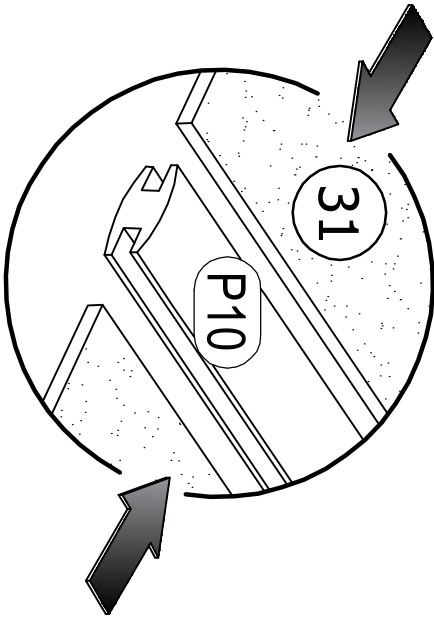
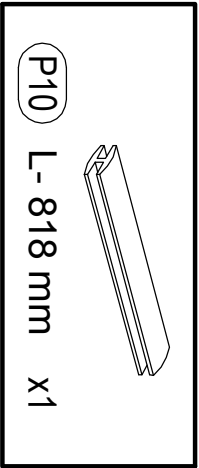
STEP 8



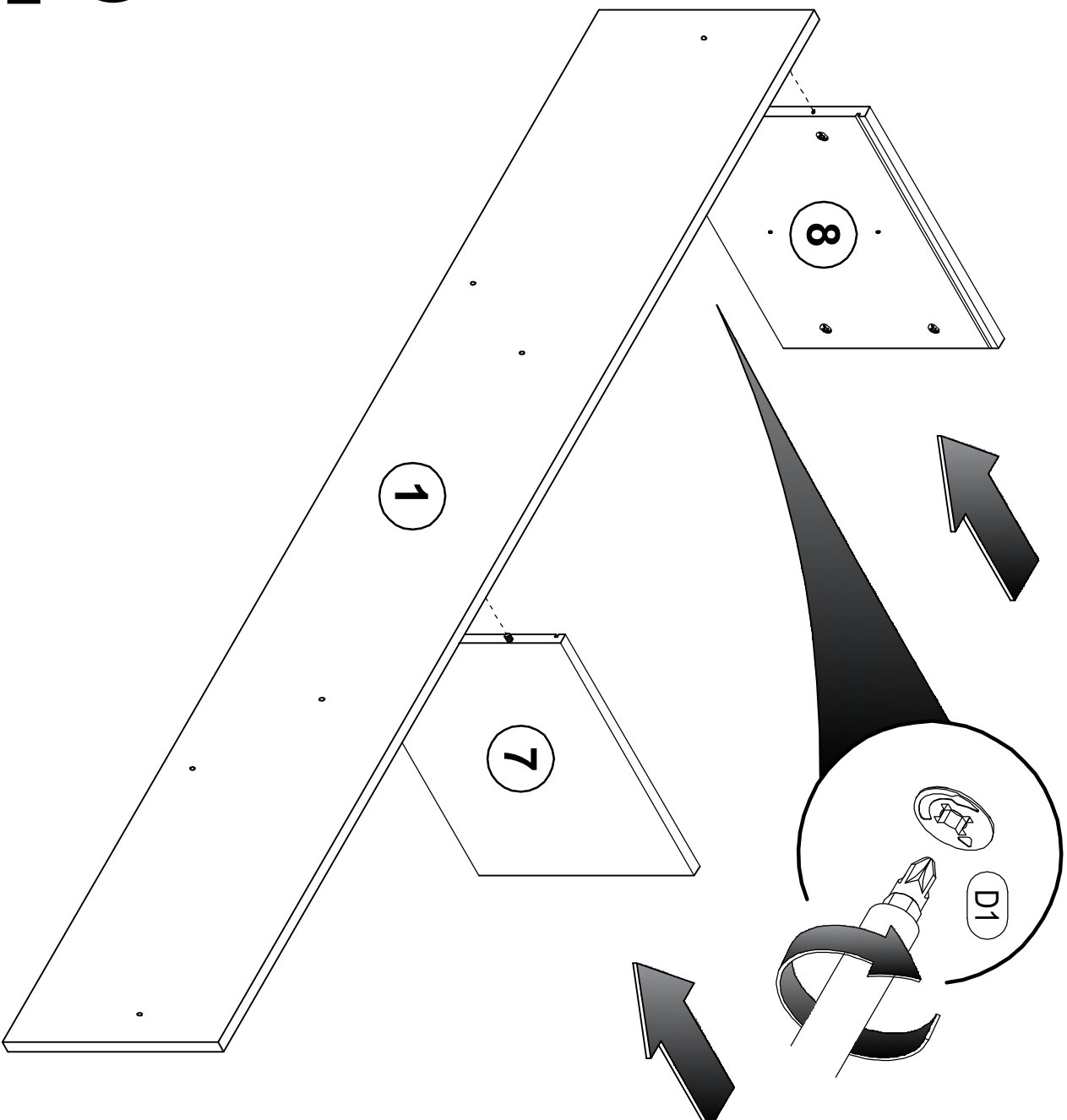
STEP 9



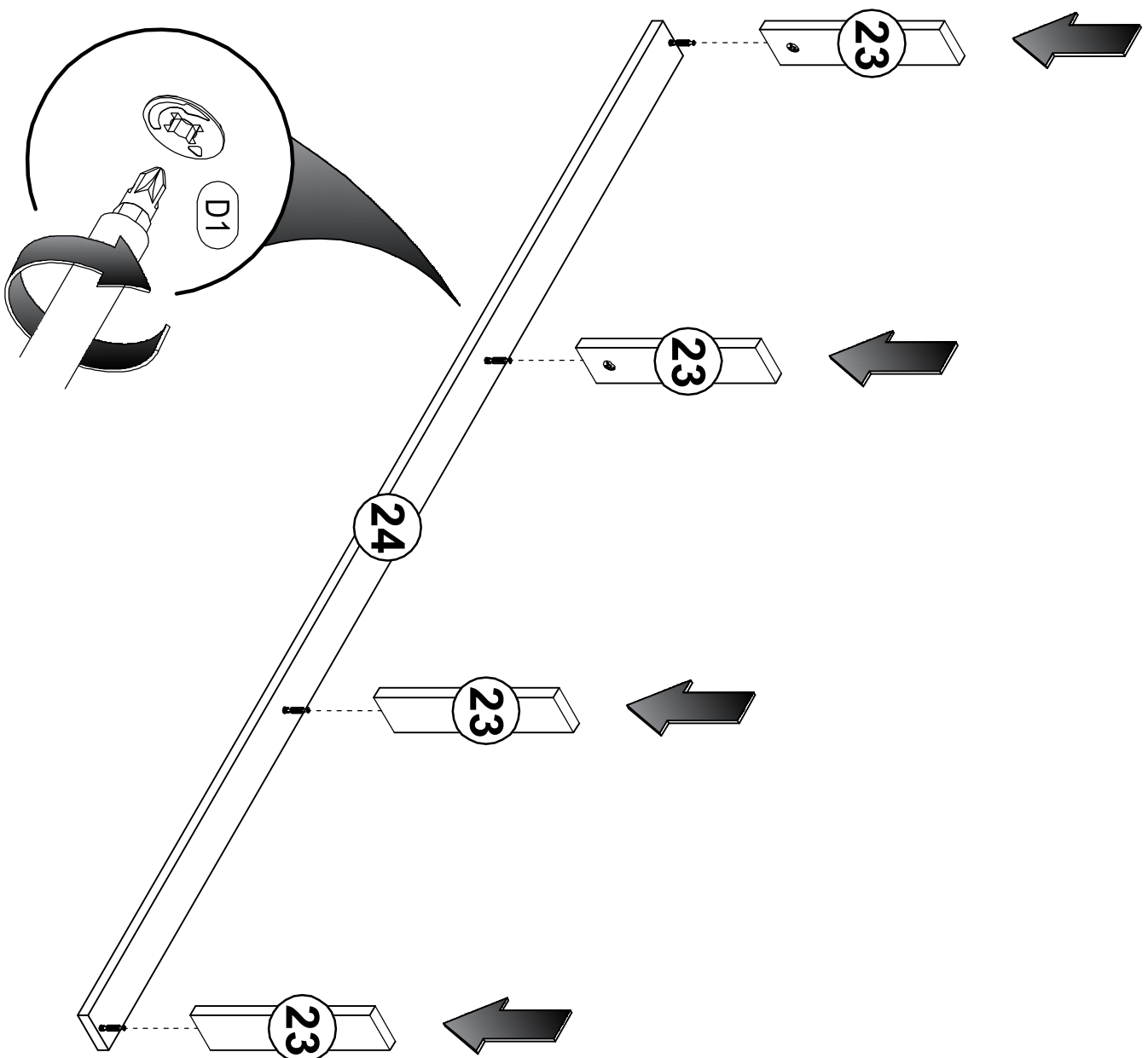
STEP 10



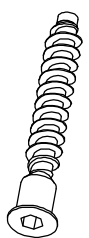
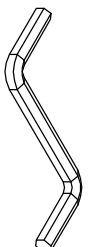
STEP
11

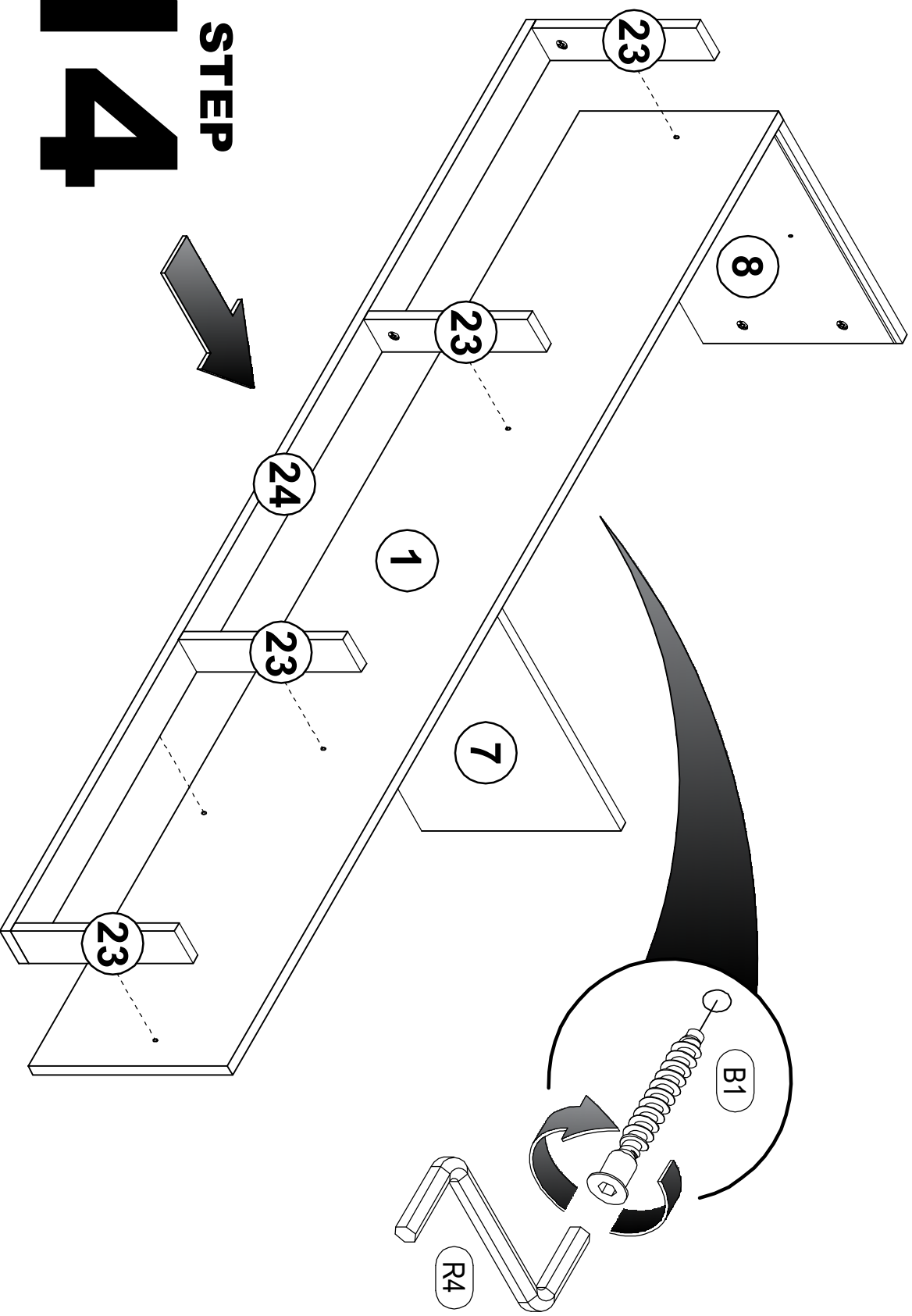


STEP 12



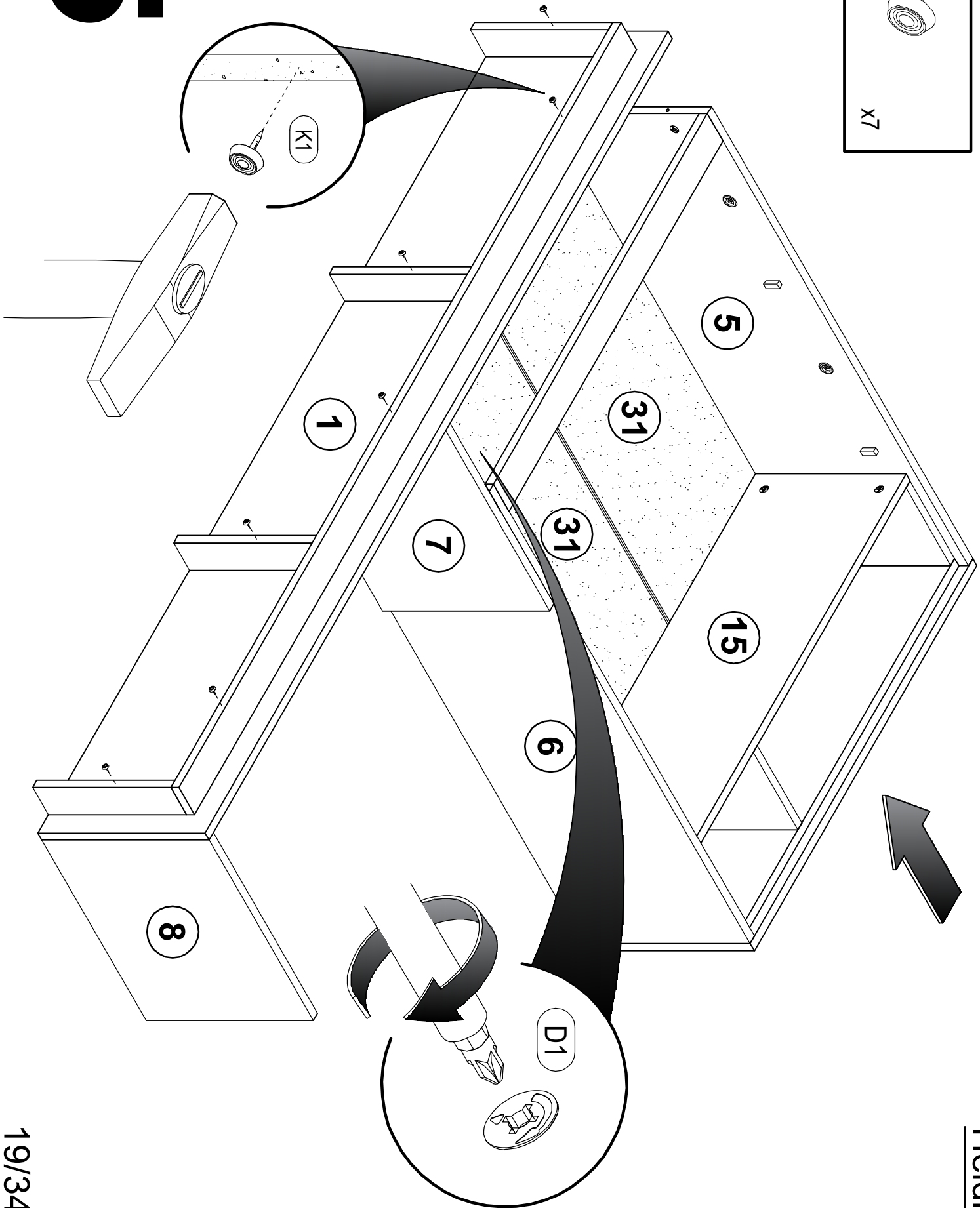
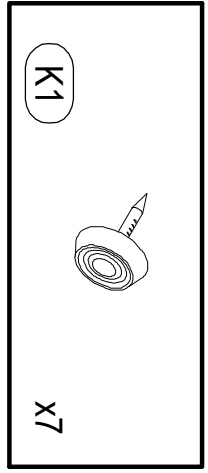
STEP 13

 B1 x6	 R4 №4 x1
--	---

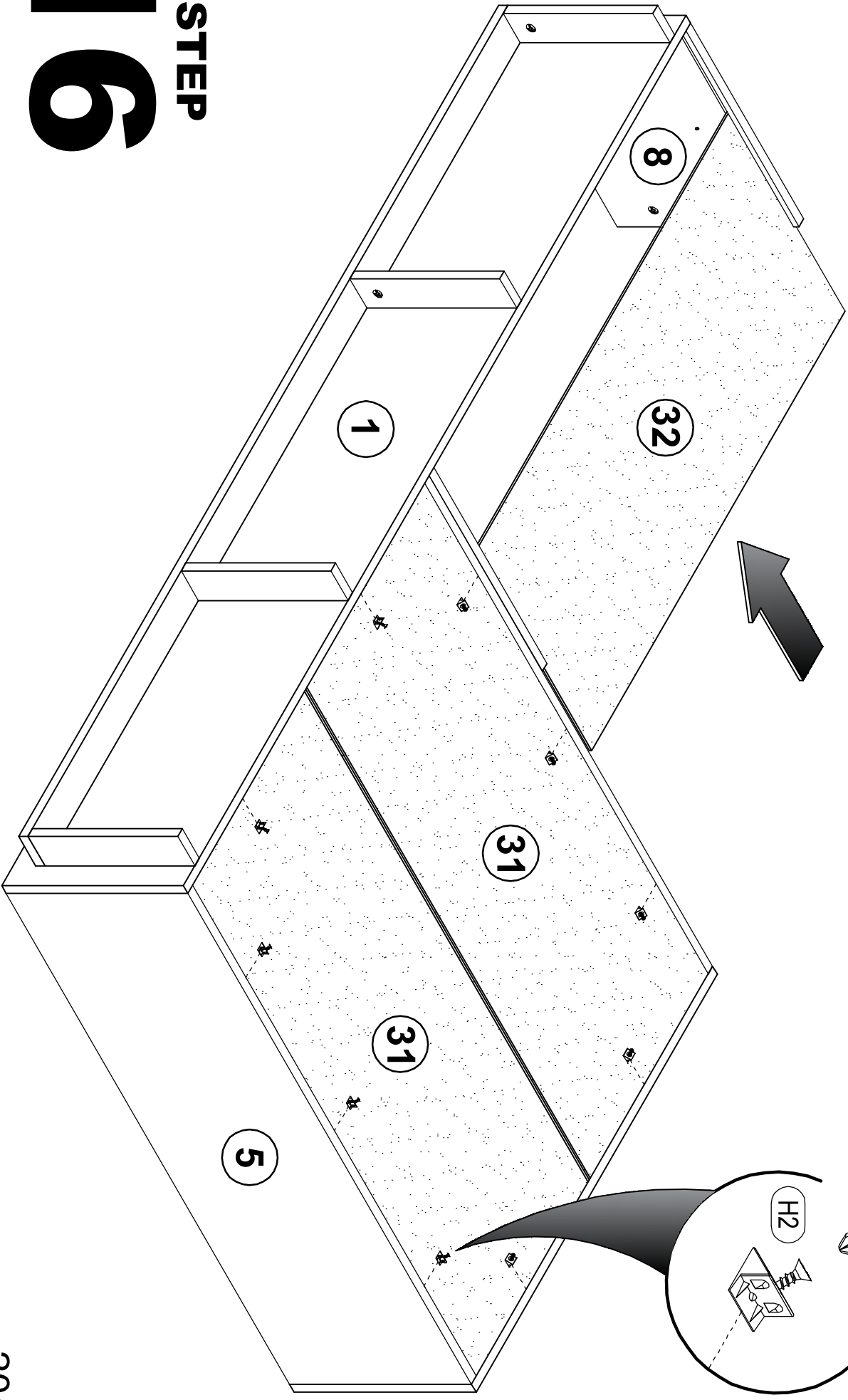
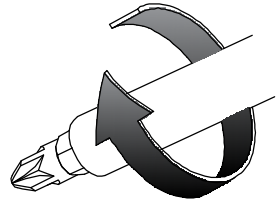
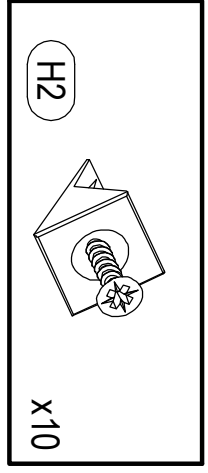


STEP

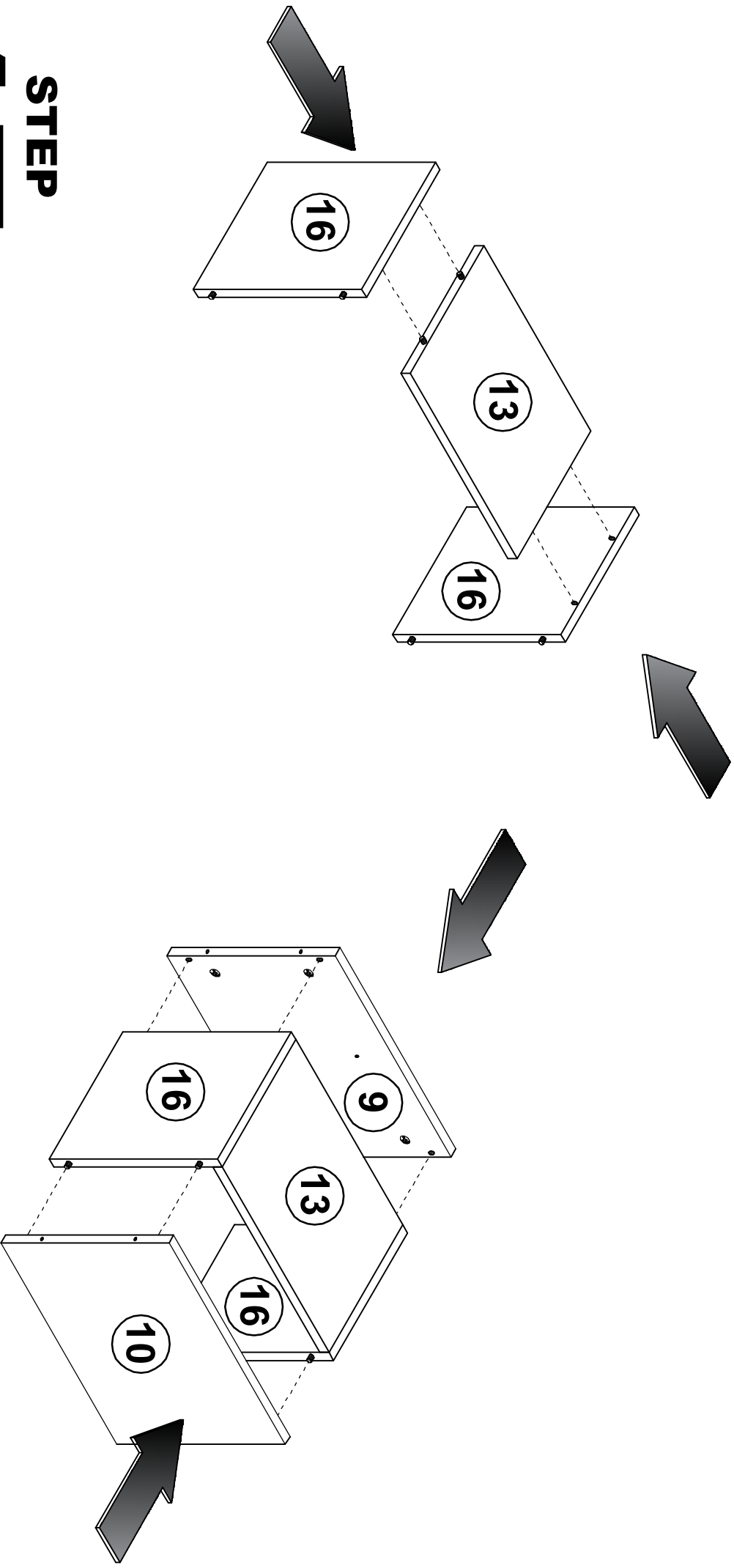
14



STEP 15

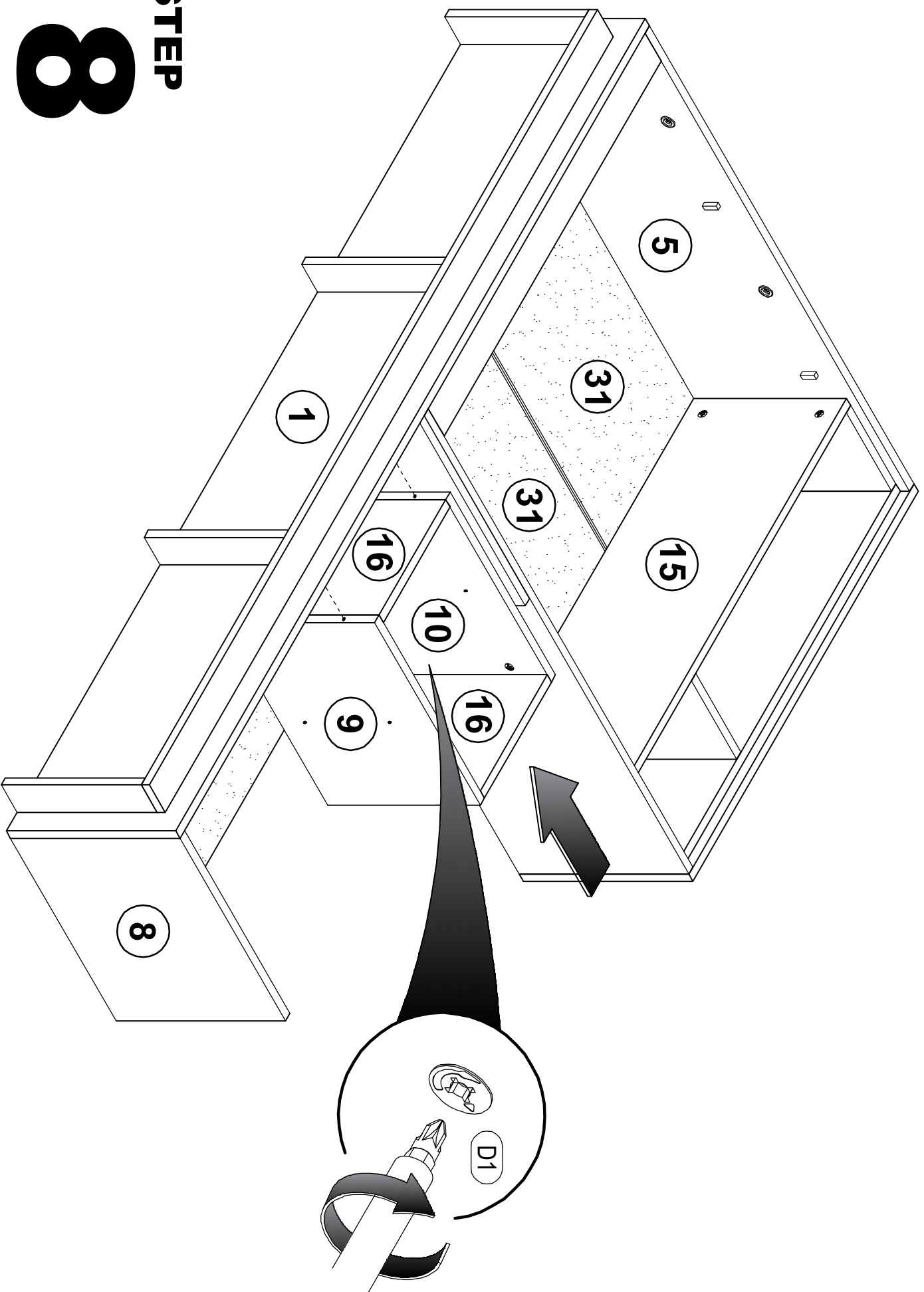


STEP 16

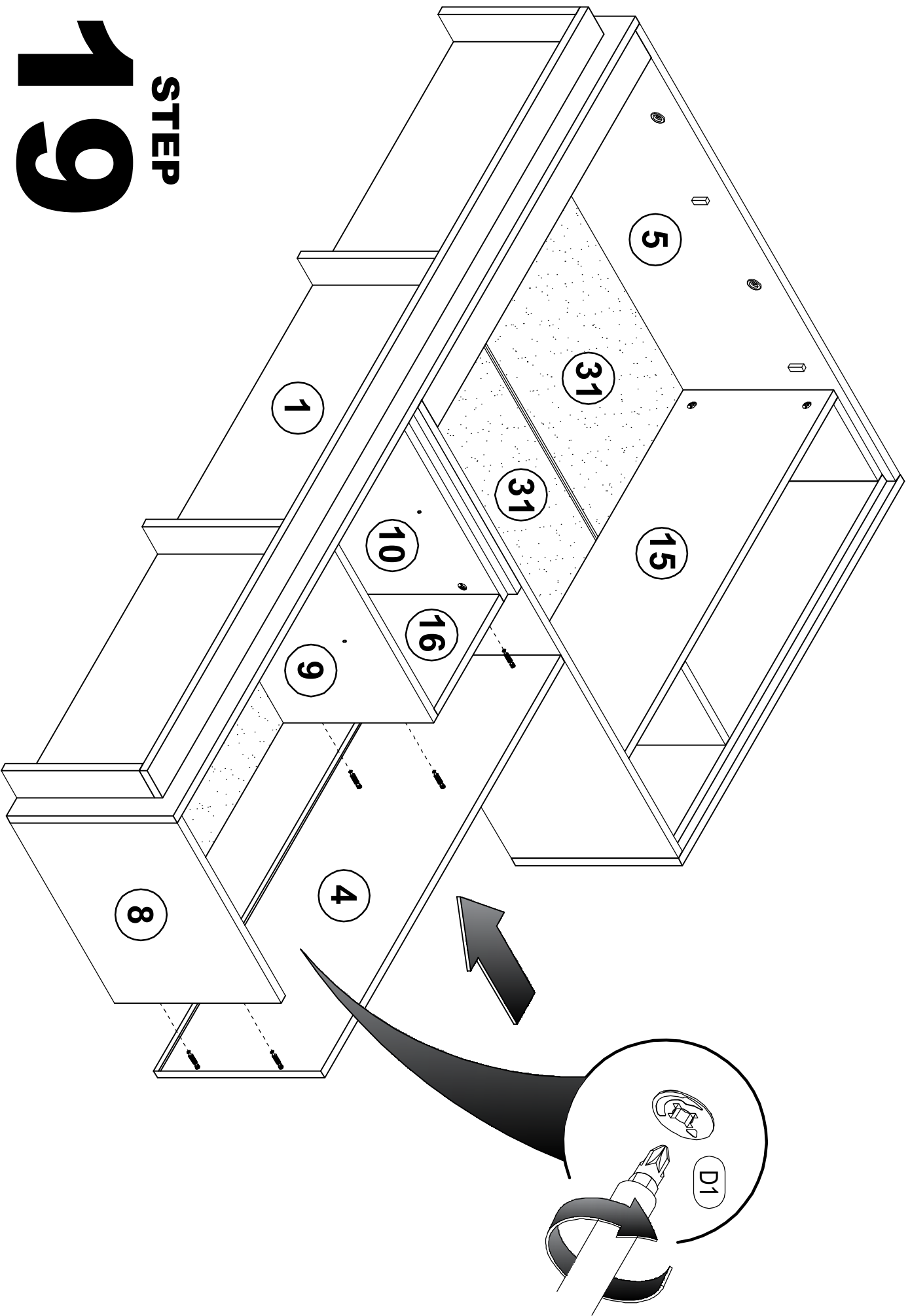


STEP

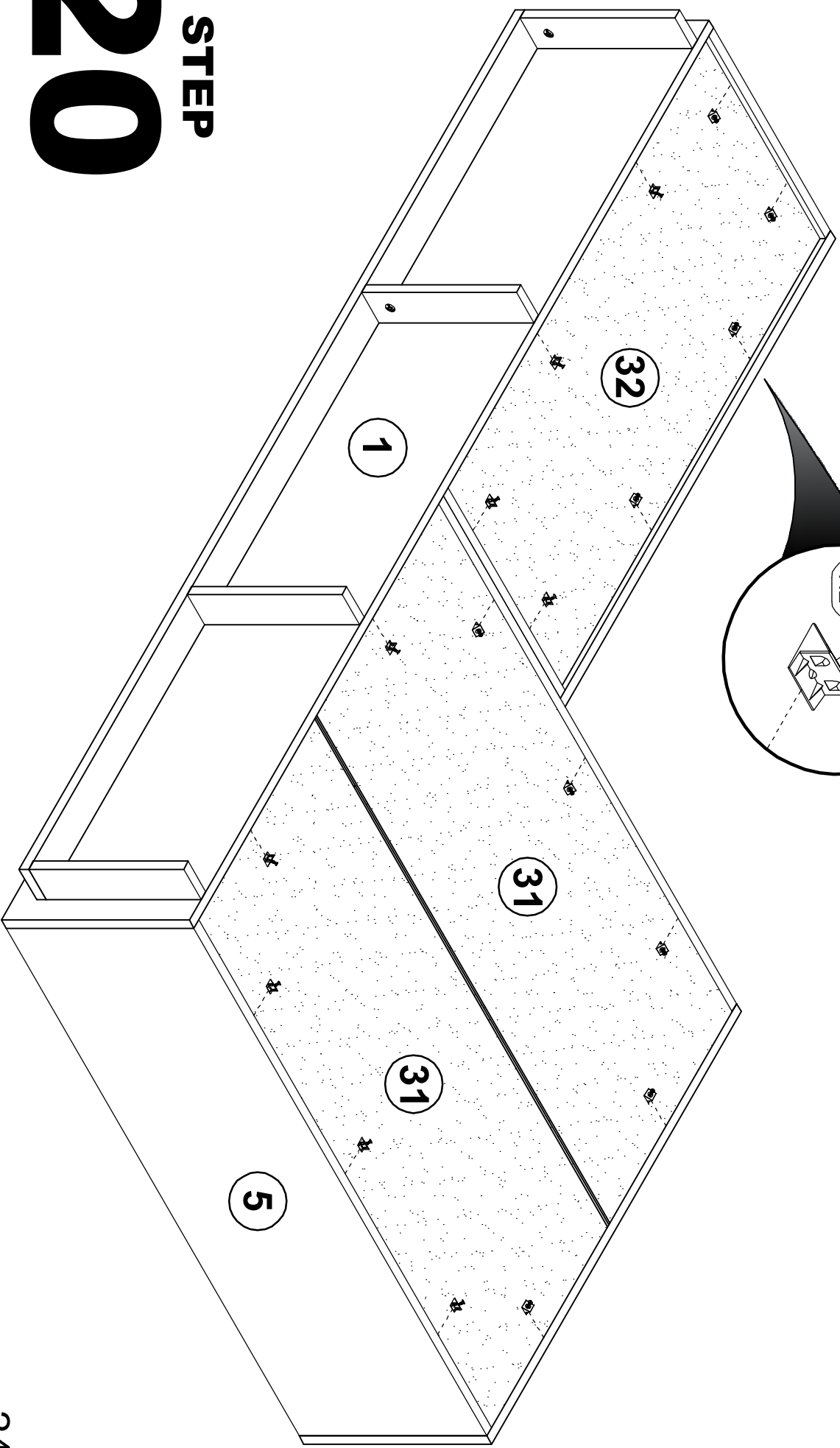
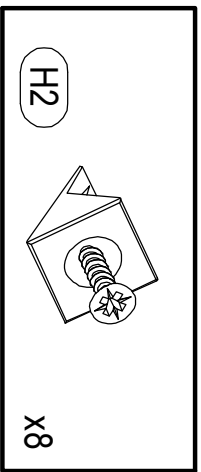
17



STEP 18


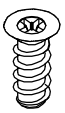
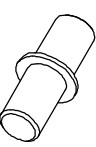


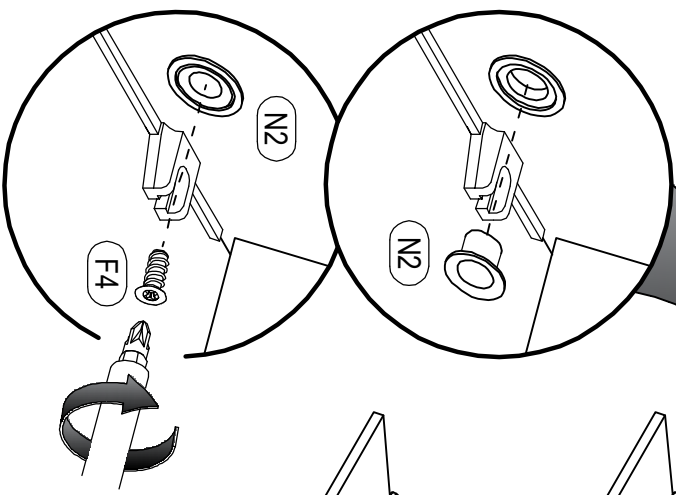
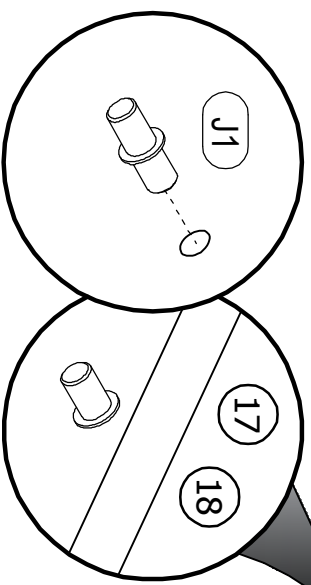
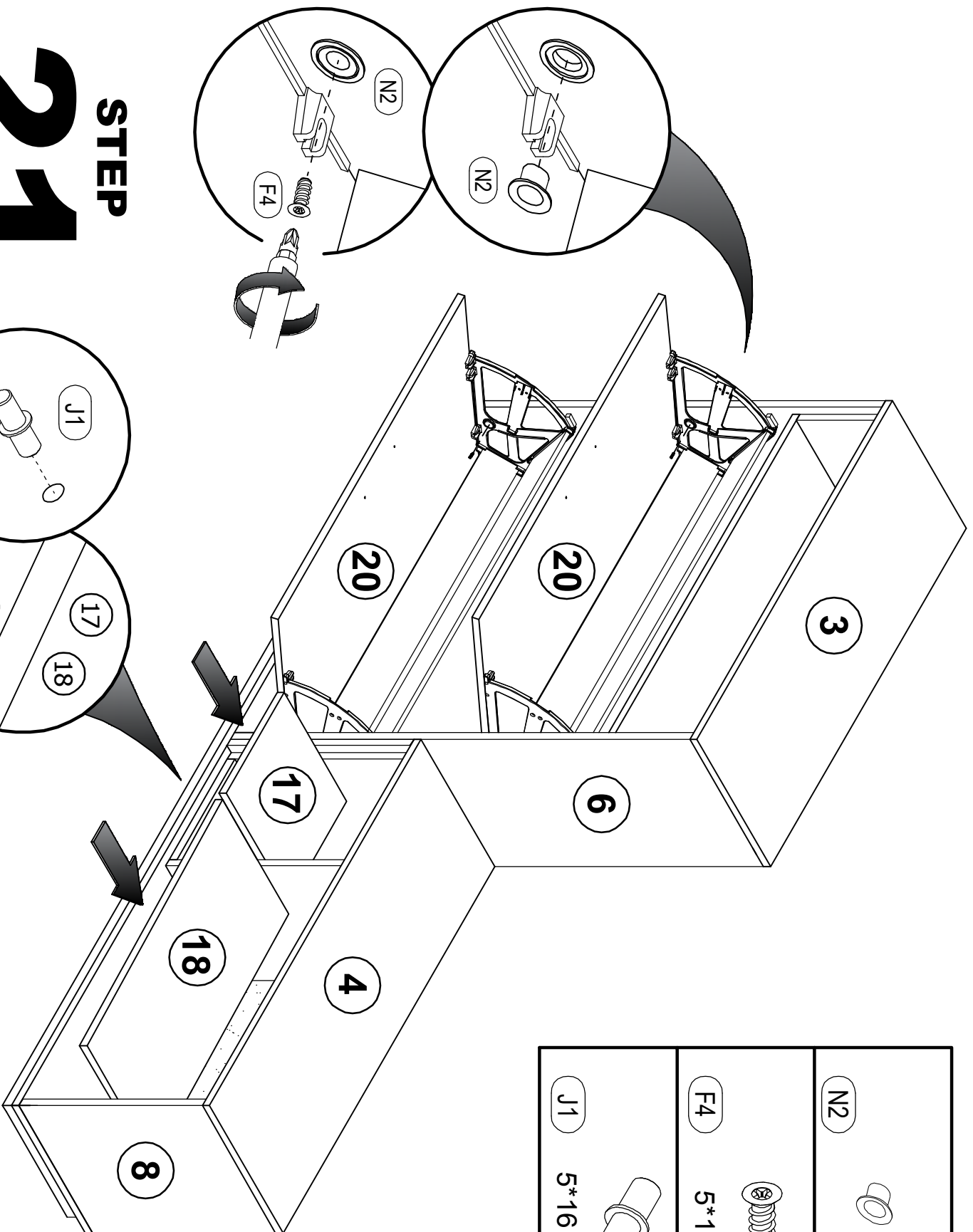
STEP 19



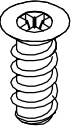
STEP

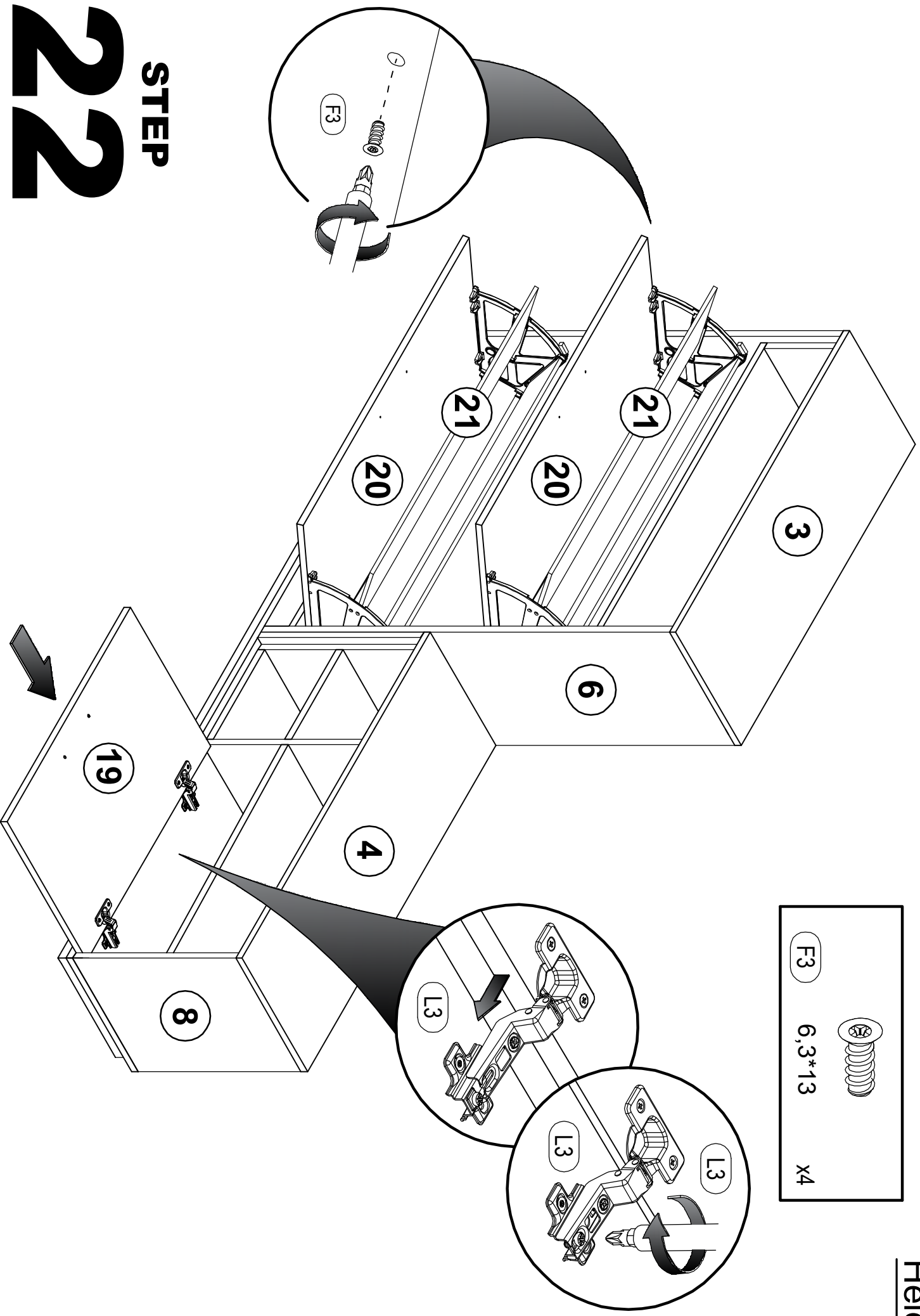
20

N2		x4
F4		x4
J1		x8



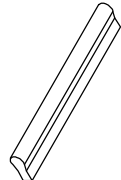
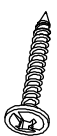


STEP 21

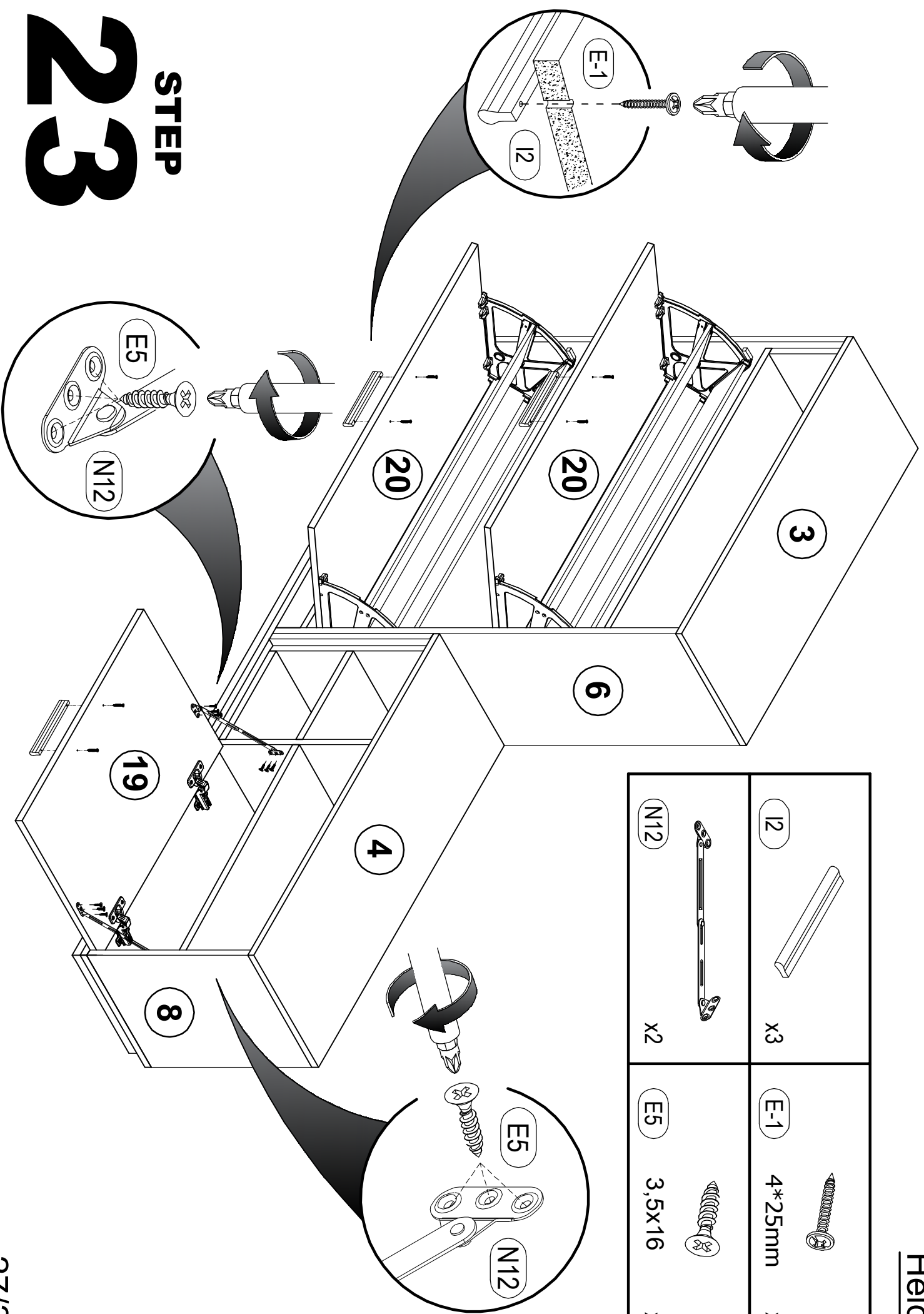
	
F3	6,3*13
	X4





STEP

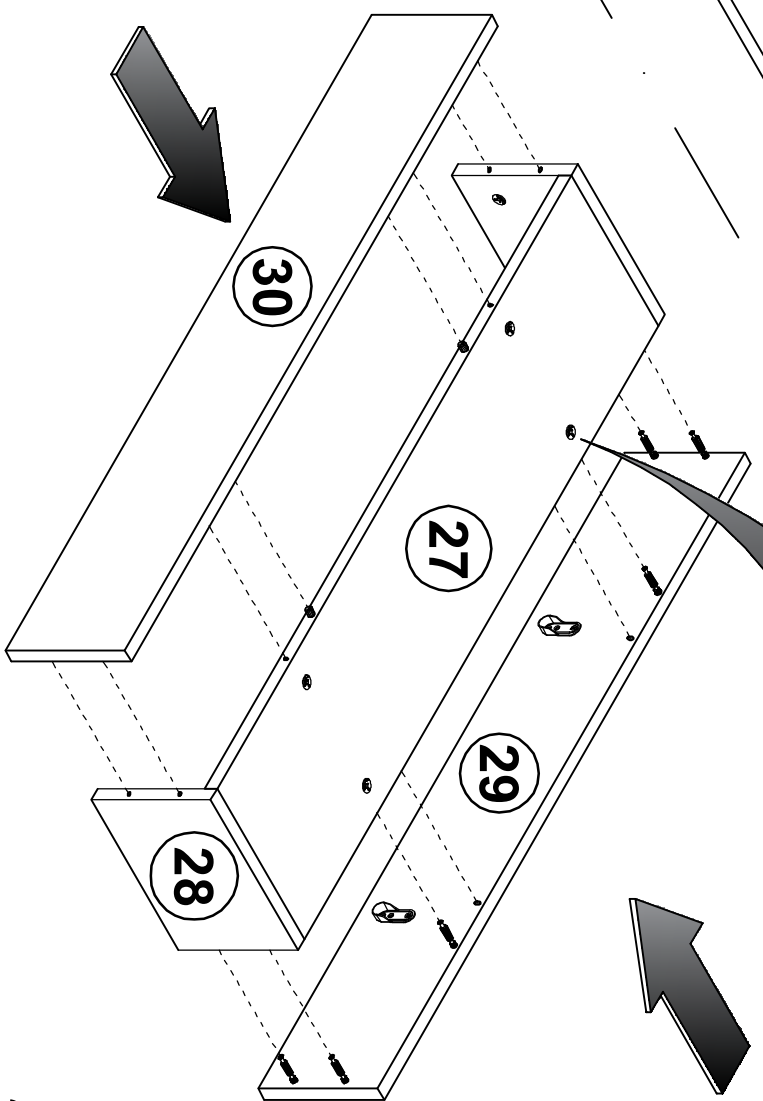
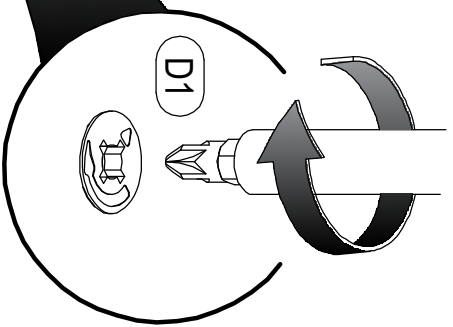
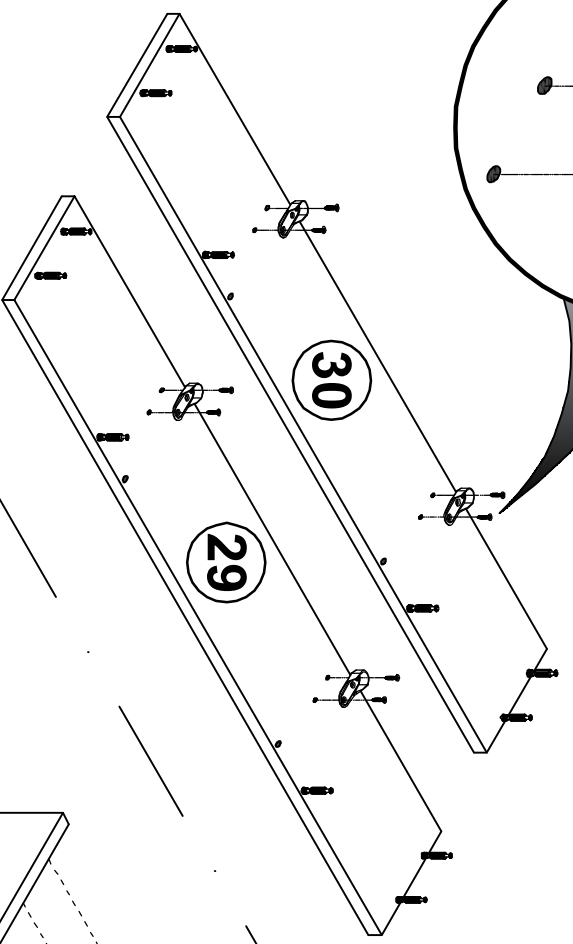
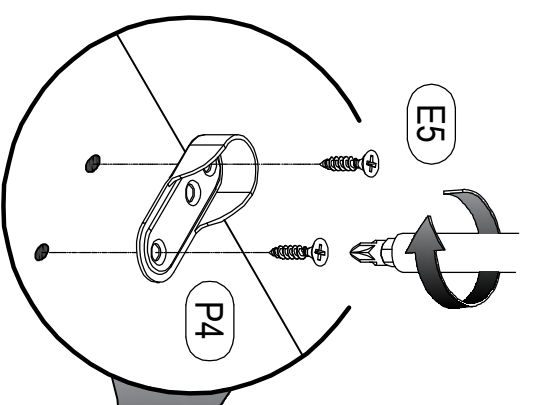
22

 <p>12</p> <p>x3</p>	 <p>E-1</p> <p>4*25mm</p> <p>x6</p>
 <p>N12</p> <p>x2</p>	 <p>E5</p> <p>3,5x16</p> <p>x12</p>



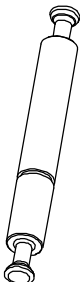


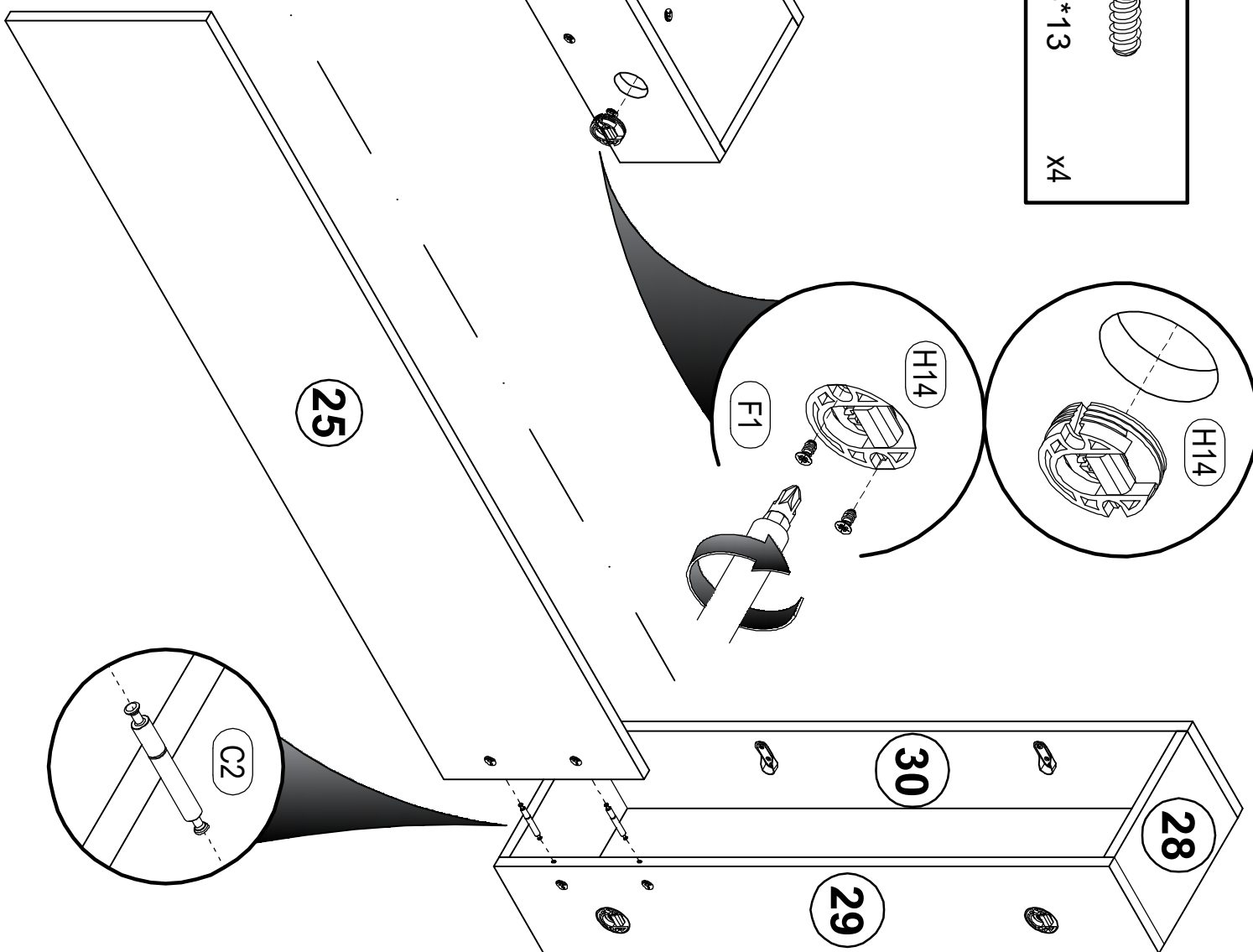
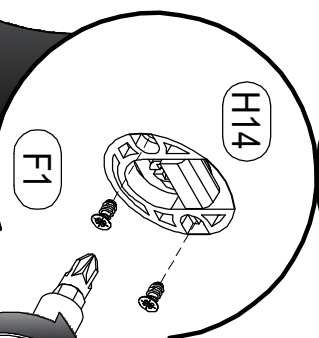
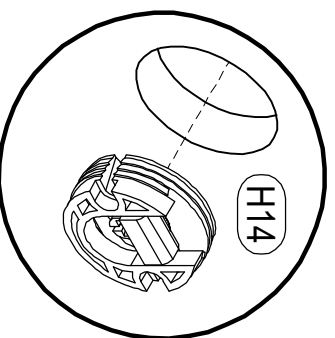
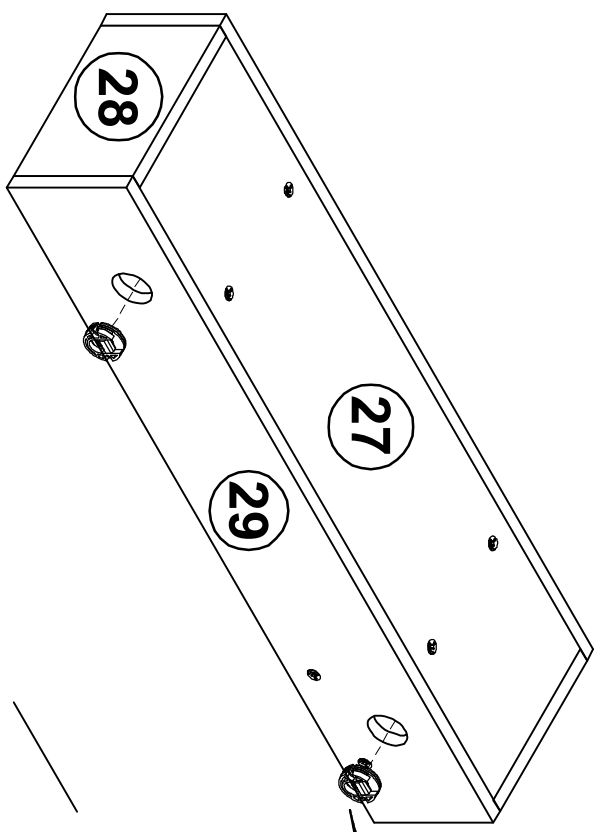
STEP
23

P4		x4	E5		3,5x16	x8
----	---	----	----	---	--------	----





STEP 24

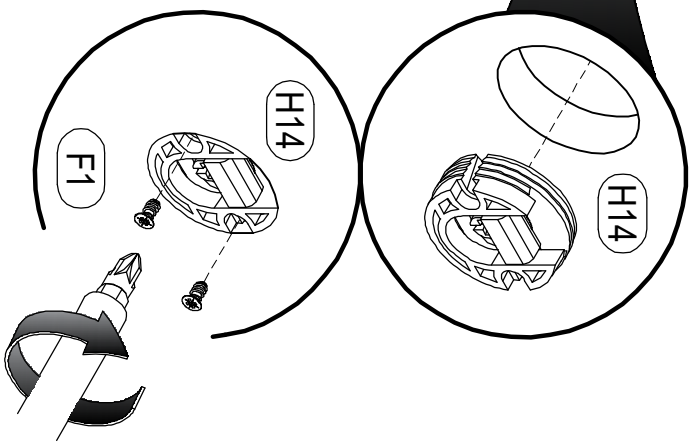
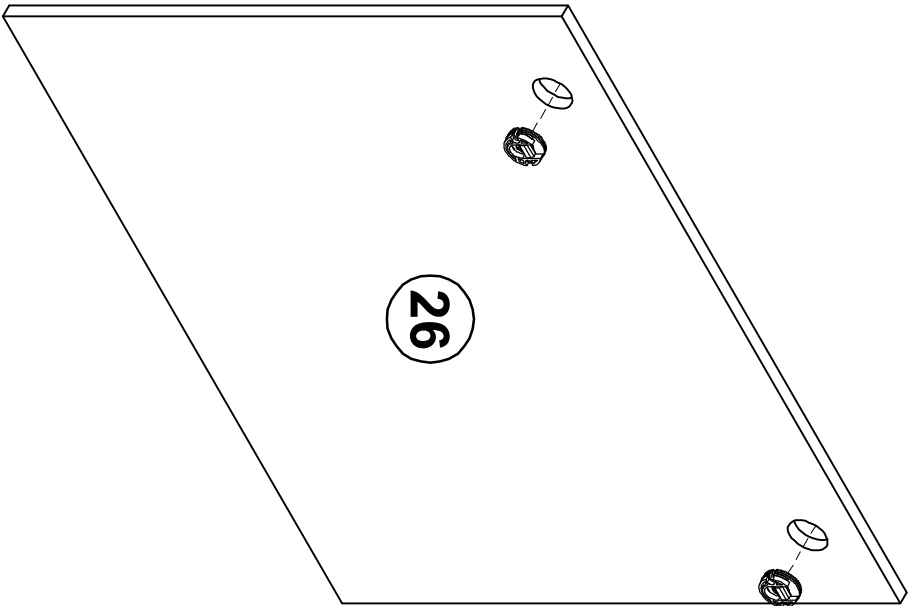
 H14	x2	 F4	5*13	X4
 C2 8*56mm	x2			



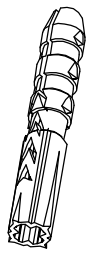
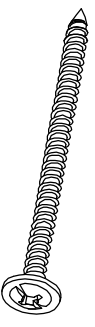
STEP 25

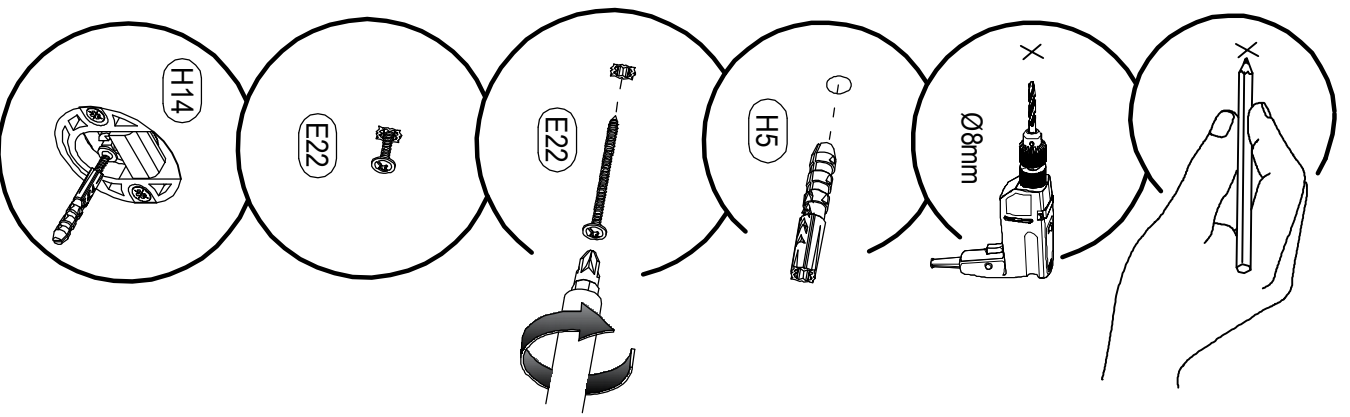
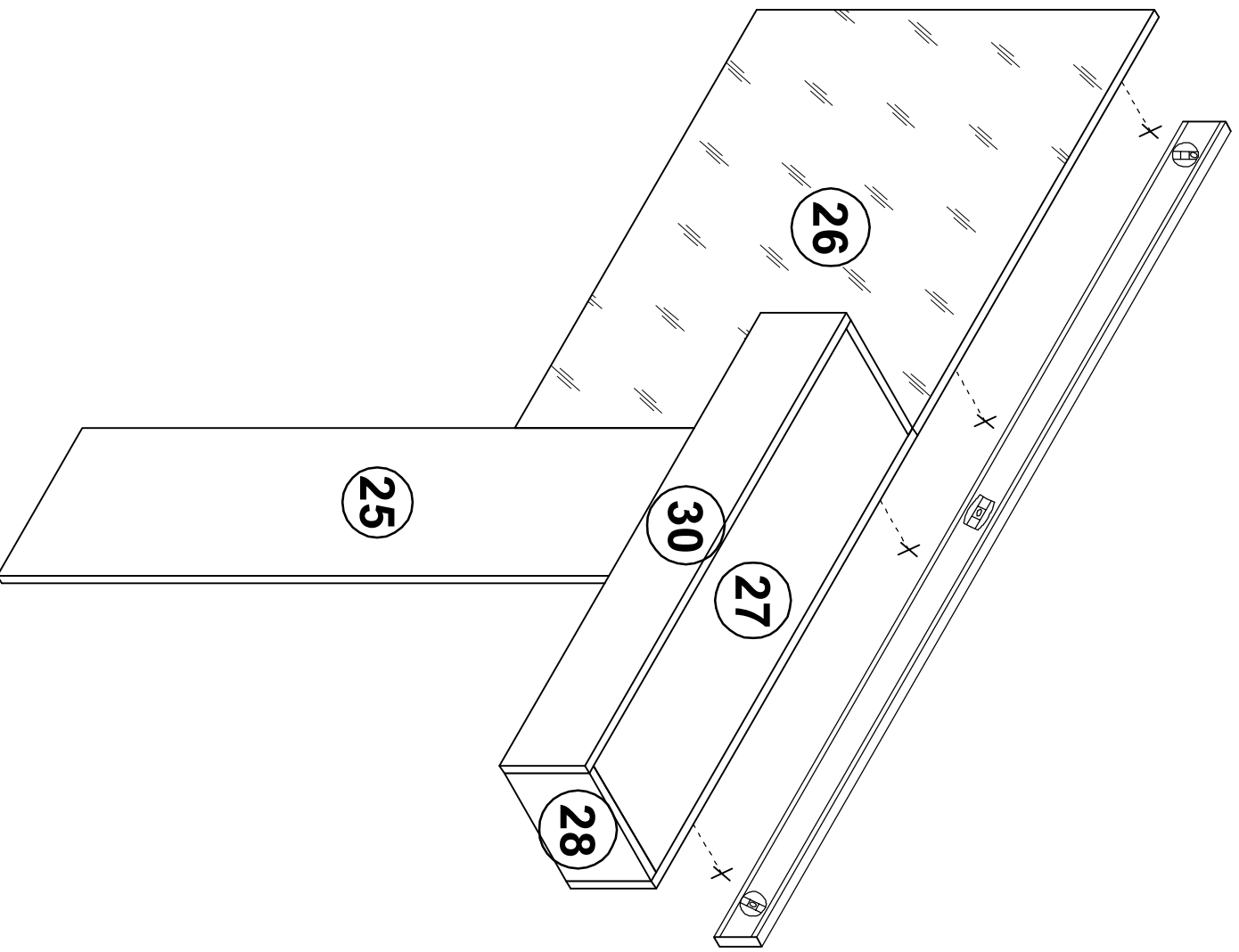


<p>H14</p>  <p>x2</p>	<p>F4</p>  <p>5*13</p> <p>x4</p>
--	---

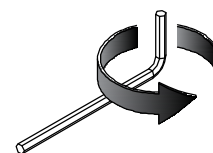
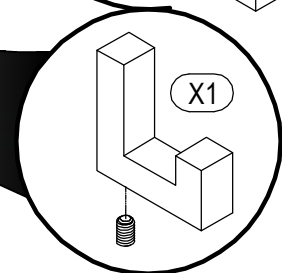
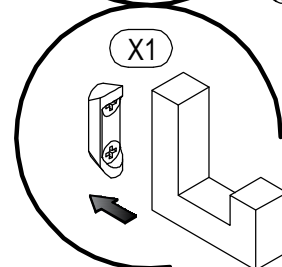
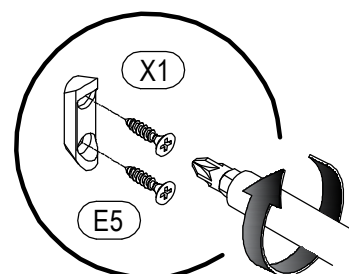
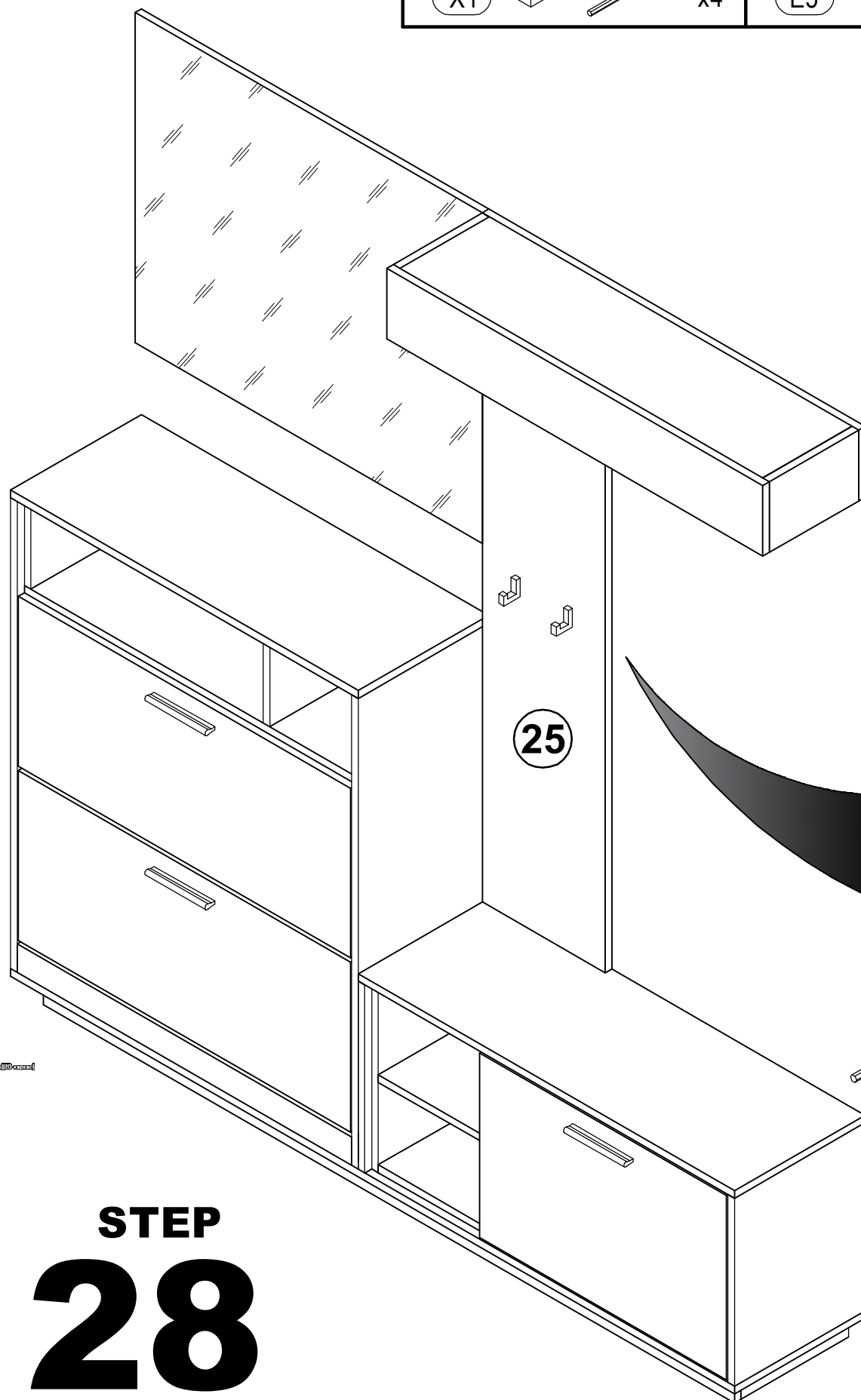
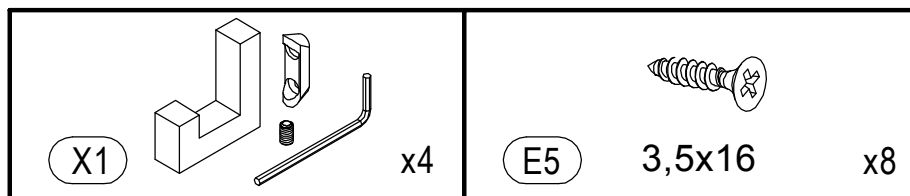


STEP 26

 H5 8*50mm x2	 E22 4,2*65mm x2
---	--


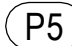


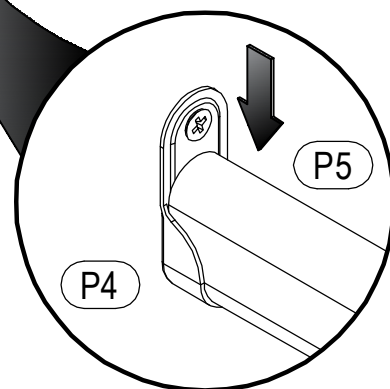
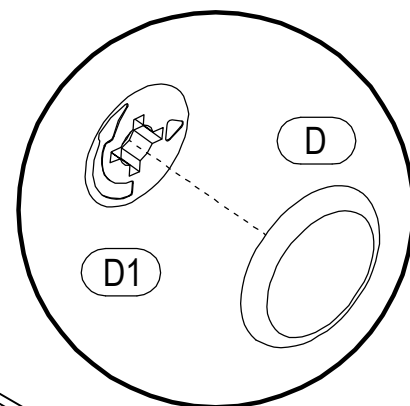
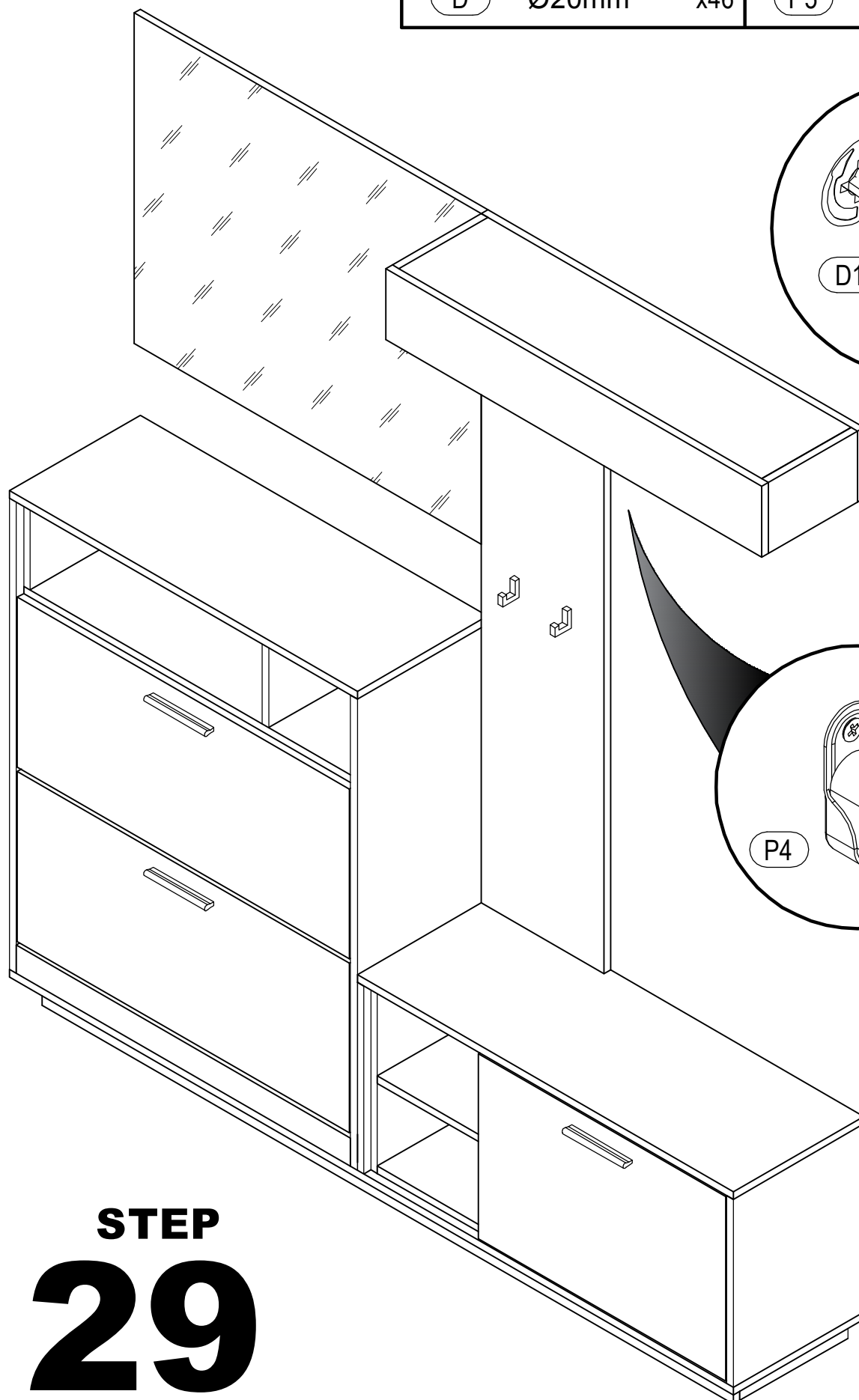
STEP 27



© 2012 Ikea. All rights reserved.

STEP
28

 $\text{Ø}20\text{mm}$ x46	 L- 213 x2
---	---



STEP
29

