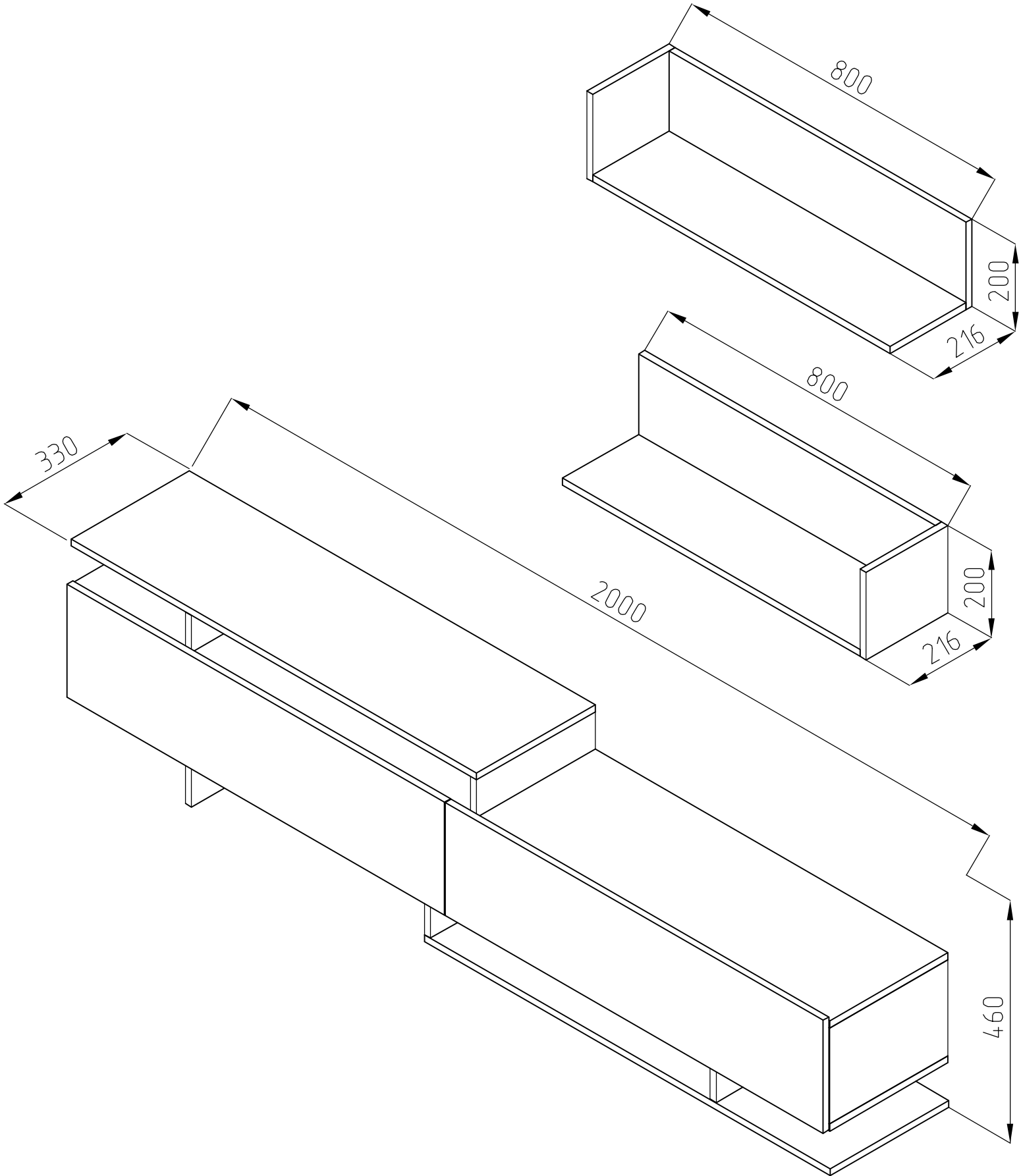
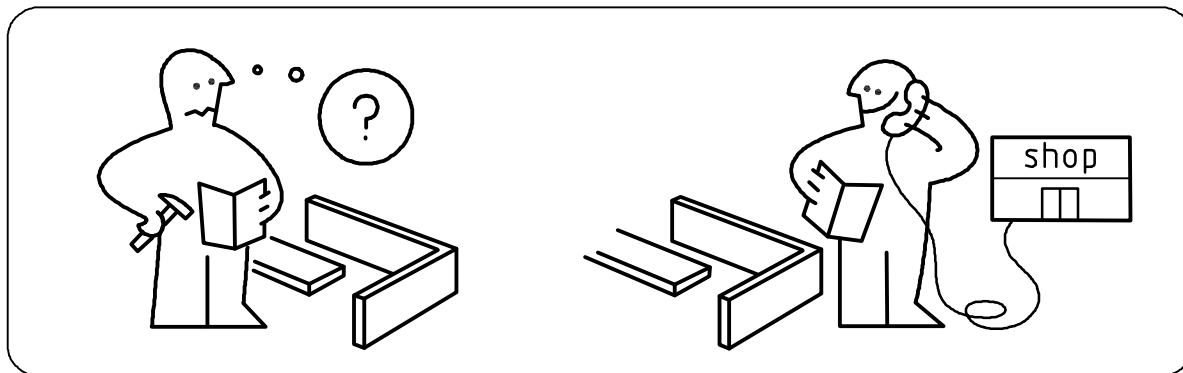
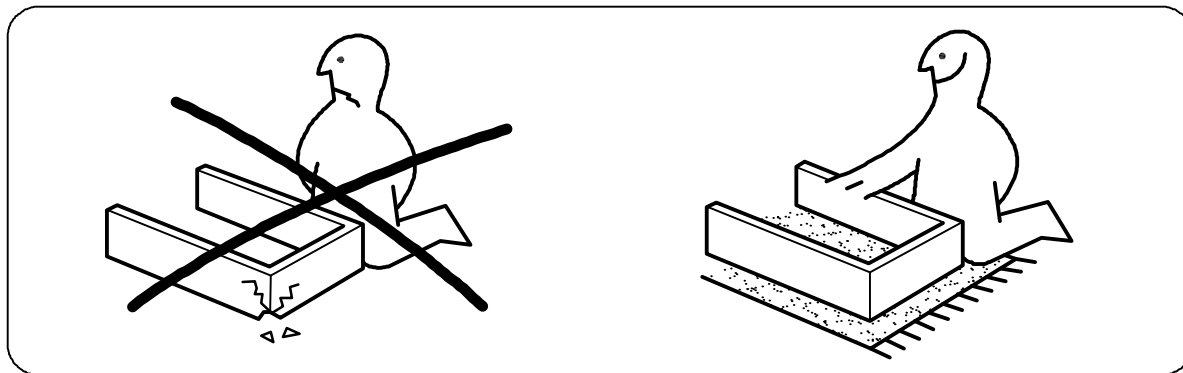
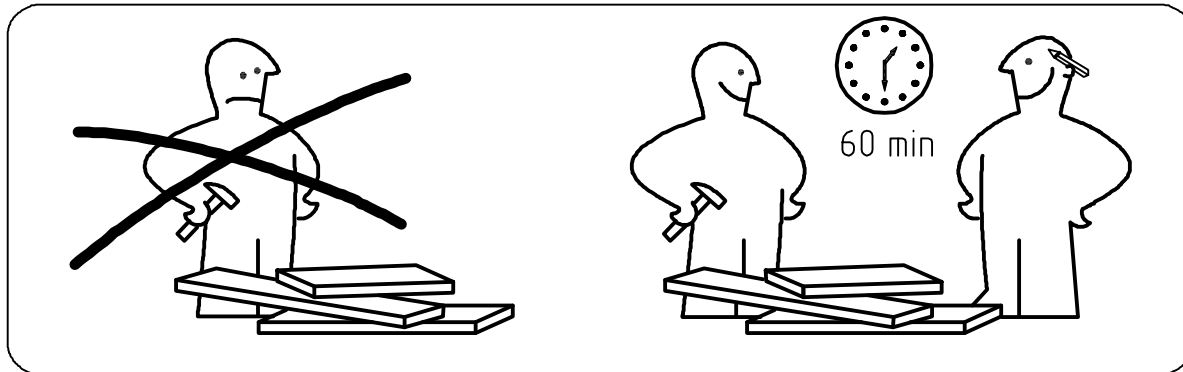
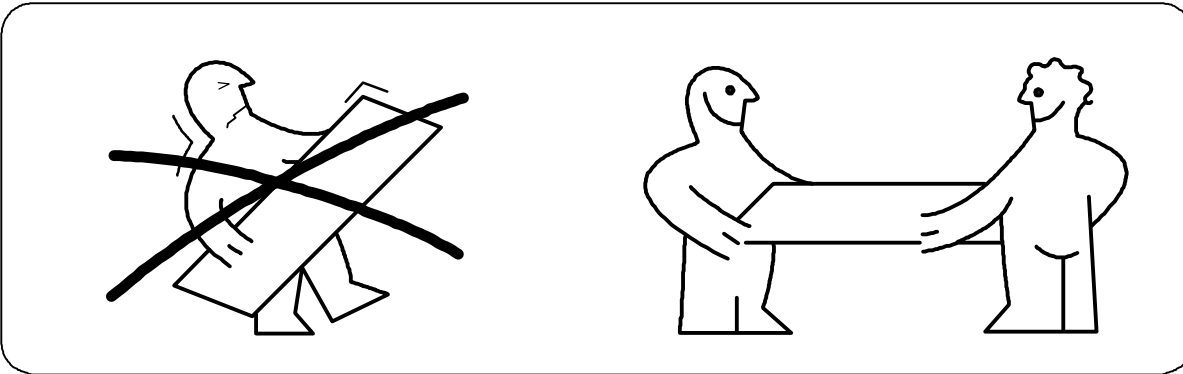
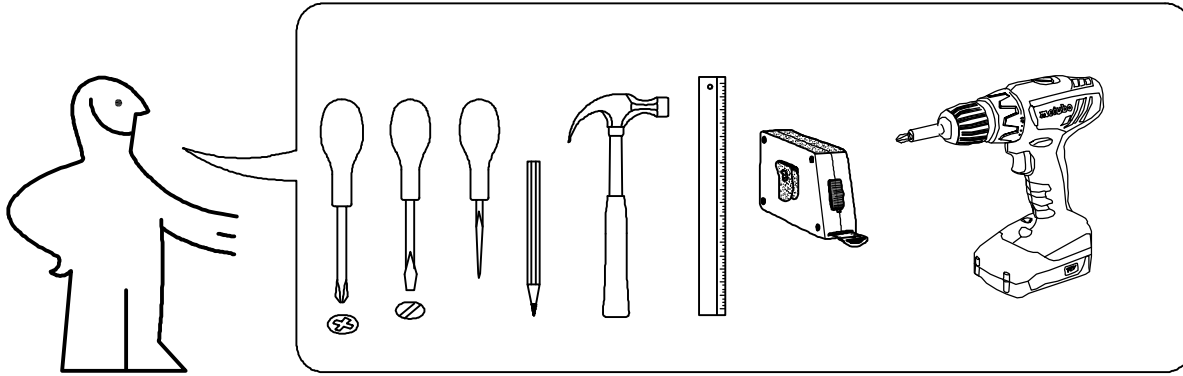
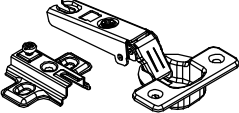

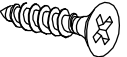
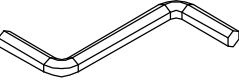
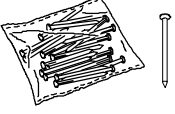

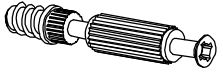
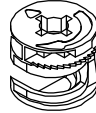
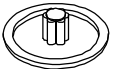
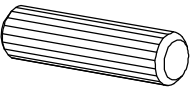
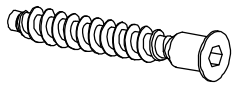



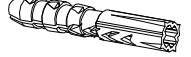
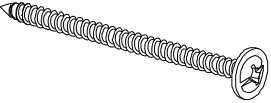
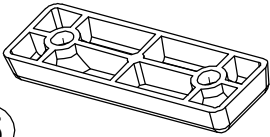


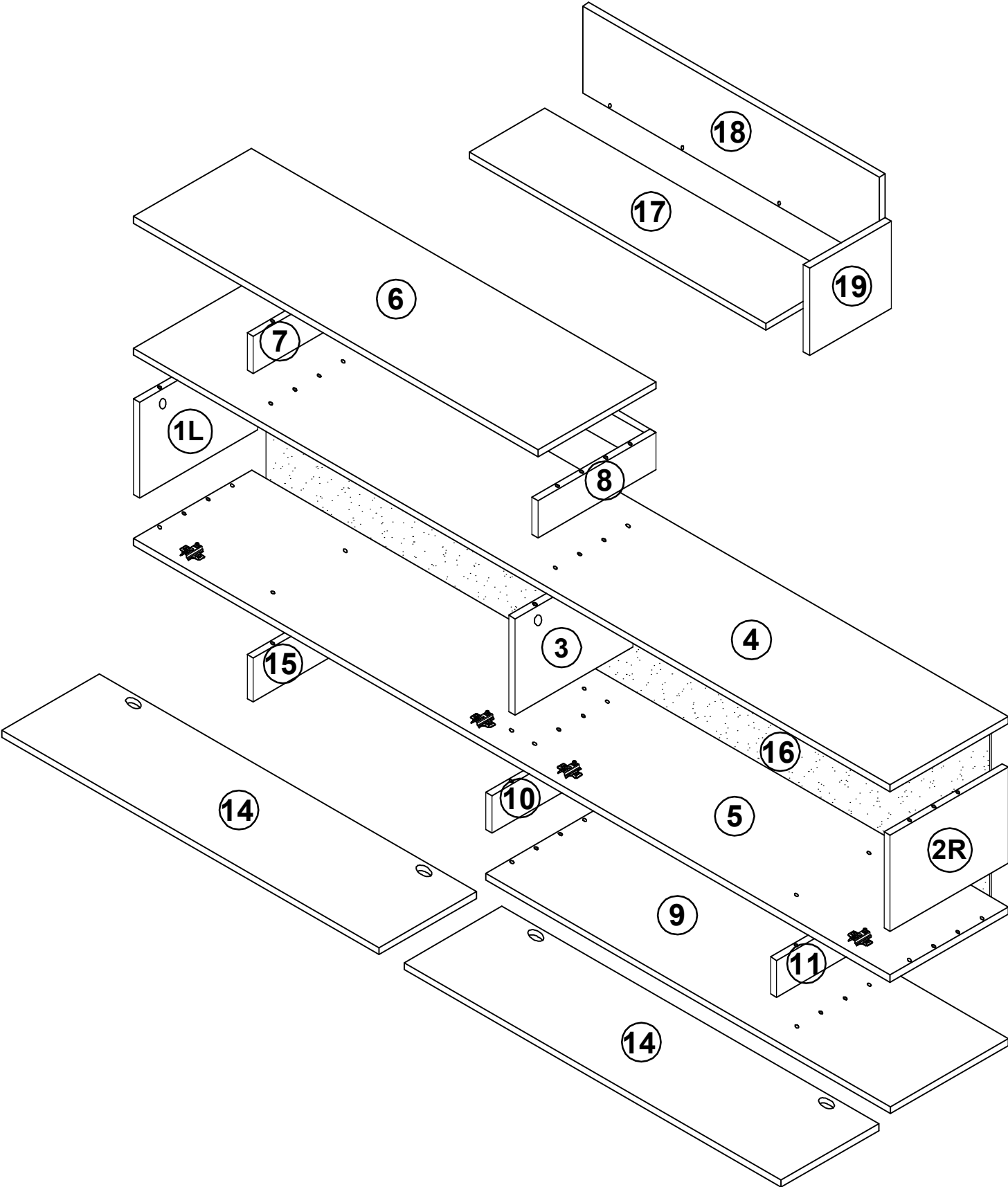
Orlando 2


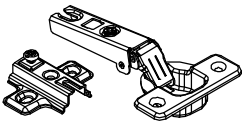
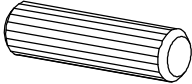
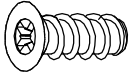



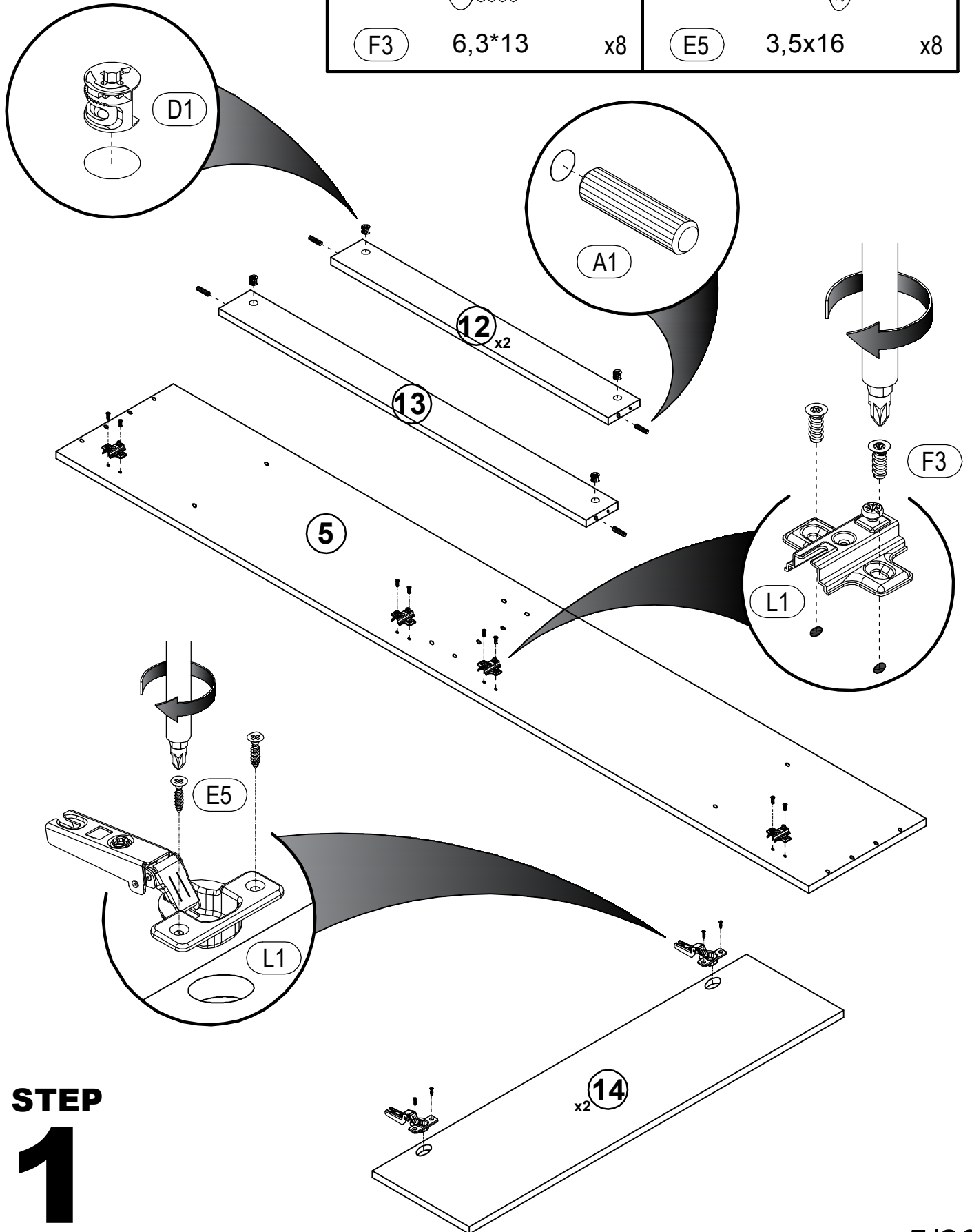


 L1 x4	 F3 6,3*13 x8	 E5 3,5x16 x20
 R4 №4 x1	 R3 20g	 U3 x4
 C1 6x43mm x24	 D1 15/16 x24	 D Ø20mm x24
 A1 8*30mm x36	 B1 x28	 B ø12mm x28
 H14 x4	 F4 5*9 x8	 H5 8*50mm x4
 E22 4,2*65mm x4	 K15 x6	

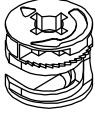
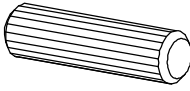
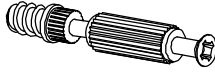
No	a*b	x	No	a*b	x
1	312x220	1	11	312x85	1
2	312x220	1	12	737x85	2
3	312x220	1	13	975x85	1
4	2000x312	1	14	996x258	2
5	2000x312	1	15	312x101	1
6	1070x312	1	16	1994x248	1
7	312x85	1	17	784x200	2
8	312x85	1	18	784x200	2
9	1070x312	1	19	216x200	2
10	312x85	1			

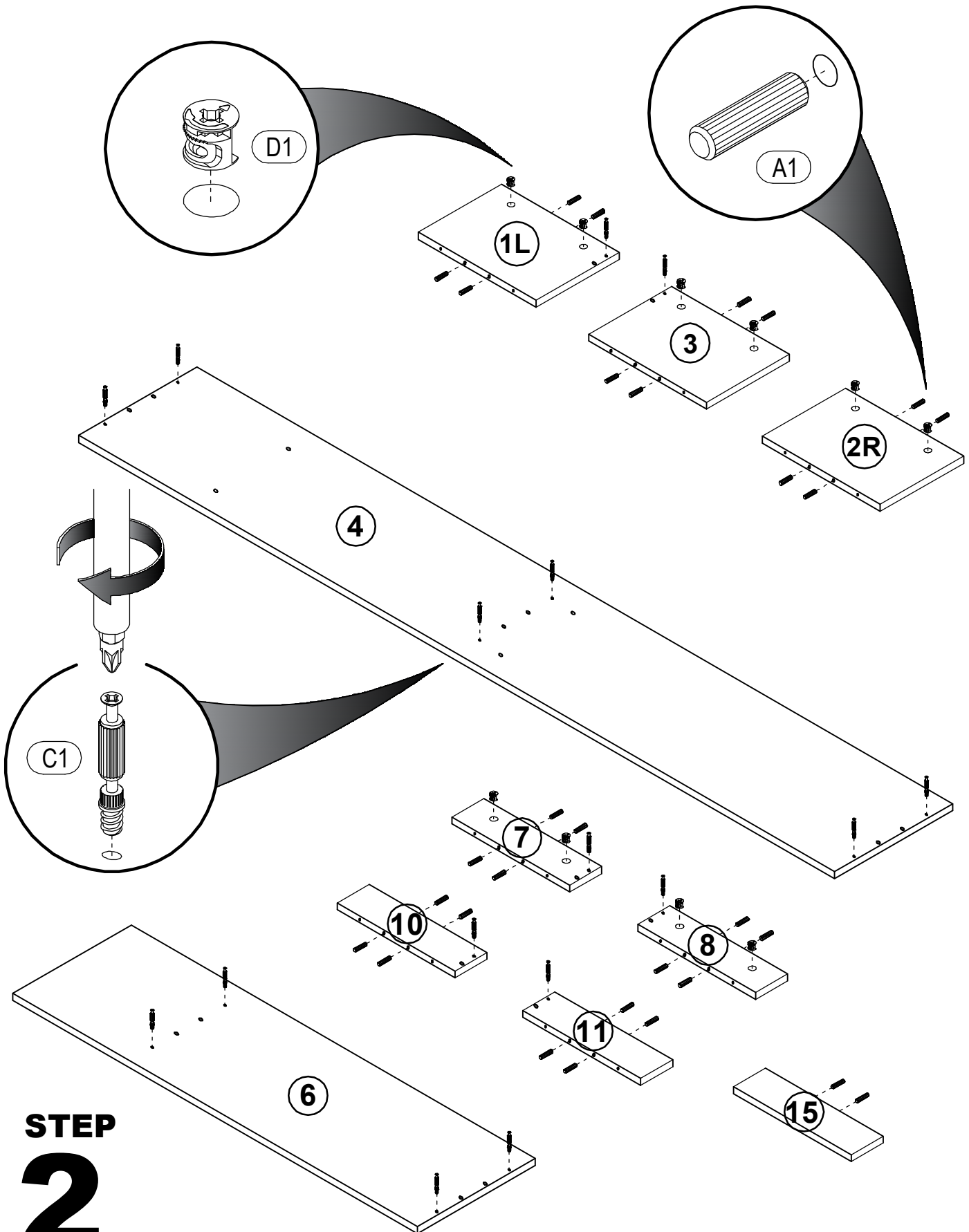


 <p>D1 15/16 x6</p>	 <p>L1 x4</p>	 <p>A1 8*30mm x6</p>
 <p>F3 6,3*13 x8</p>		 <p>E5 3,5x16 x8</p>

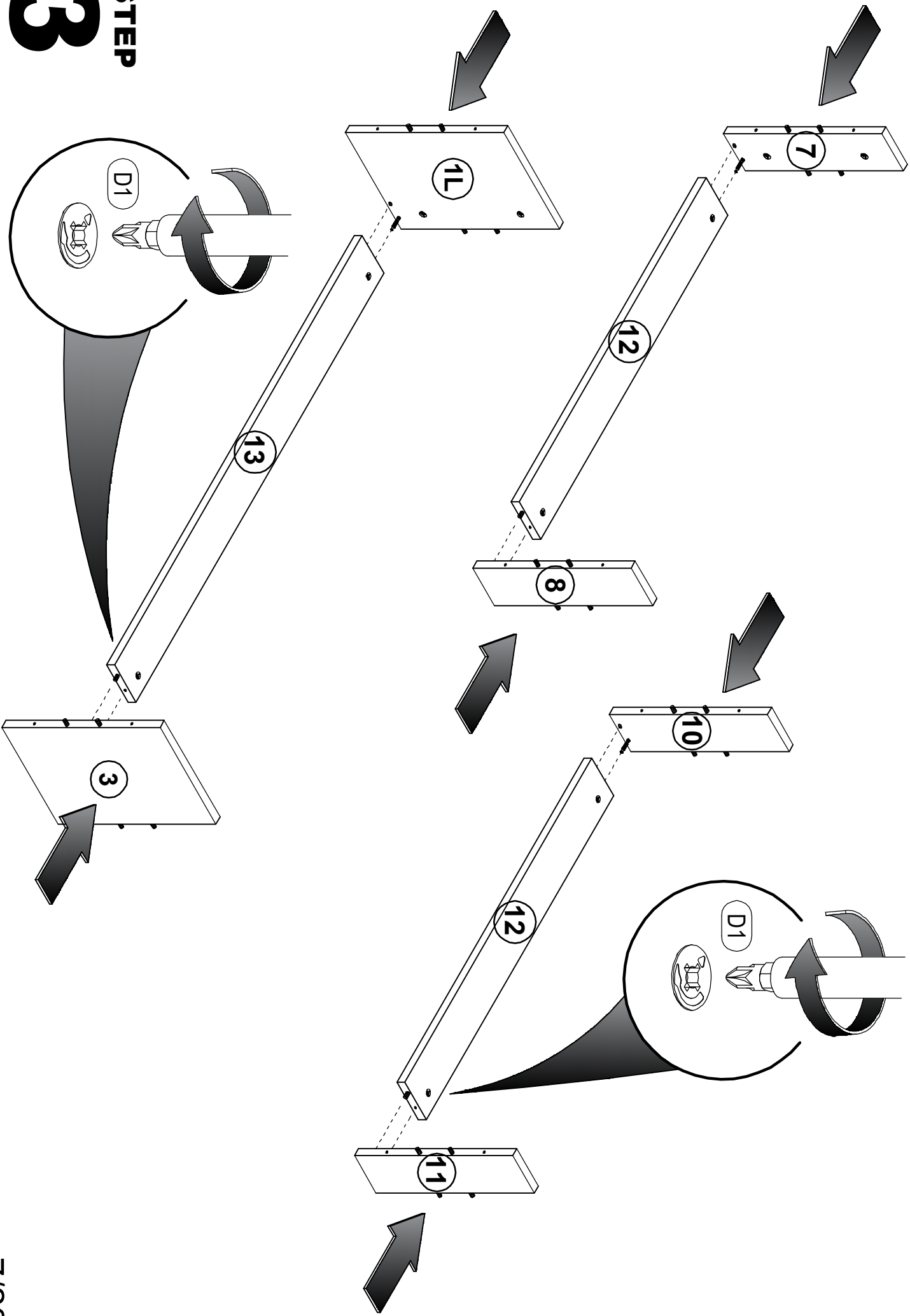


STEP
1

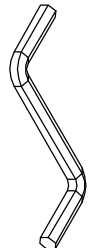
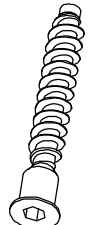
 <p>D1 15/16 x10</p>	 <p>A1 8*30mm x30</p>	 <p>C1 6x43mm x16</p>
---	--	--

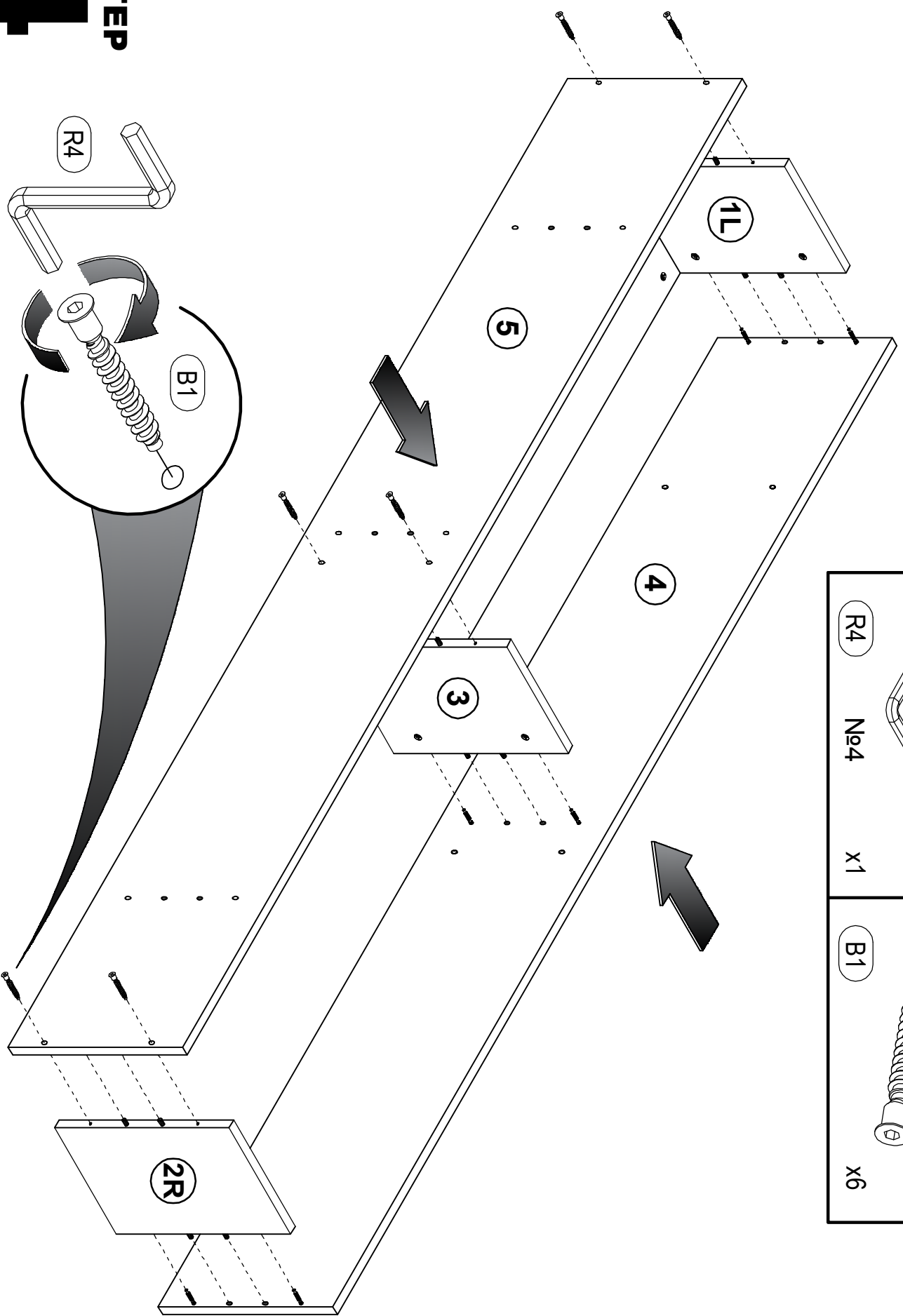


STEP
2

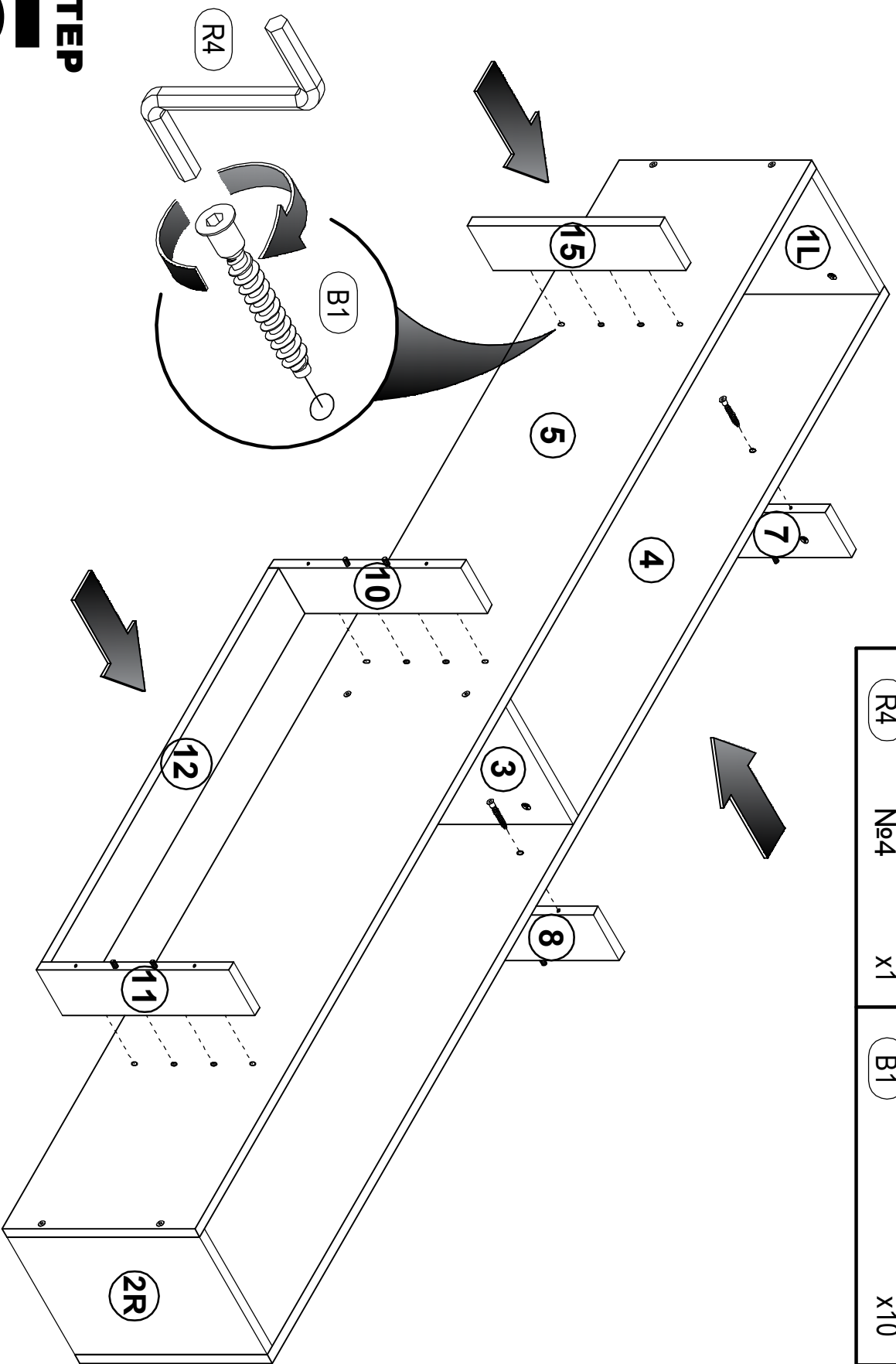


STEP 3

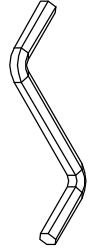
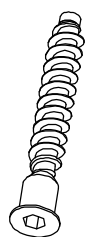
 R4 №4 x1	 B1 x6
---	--

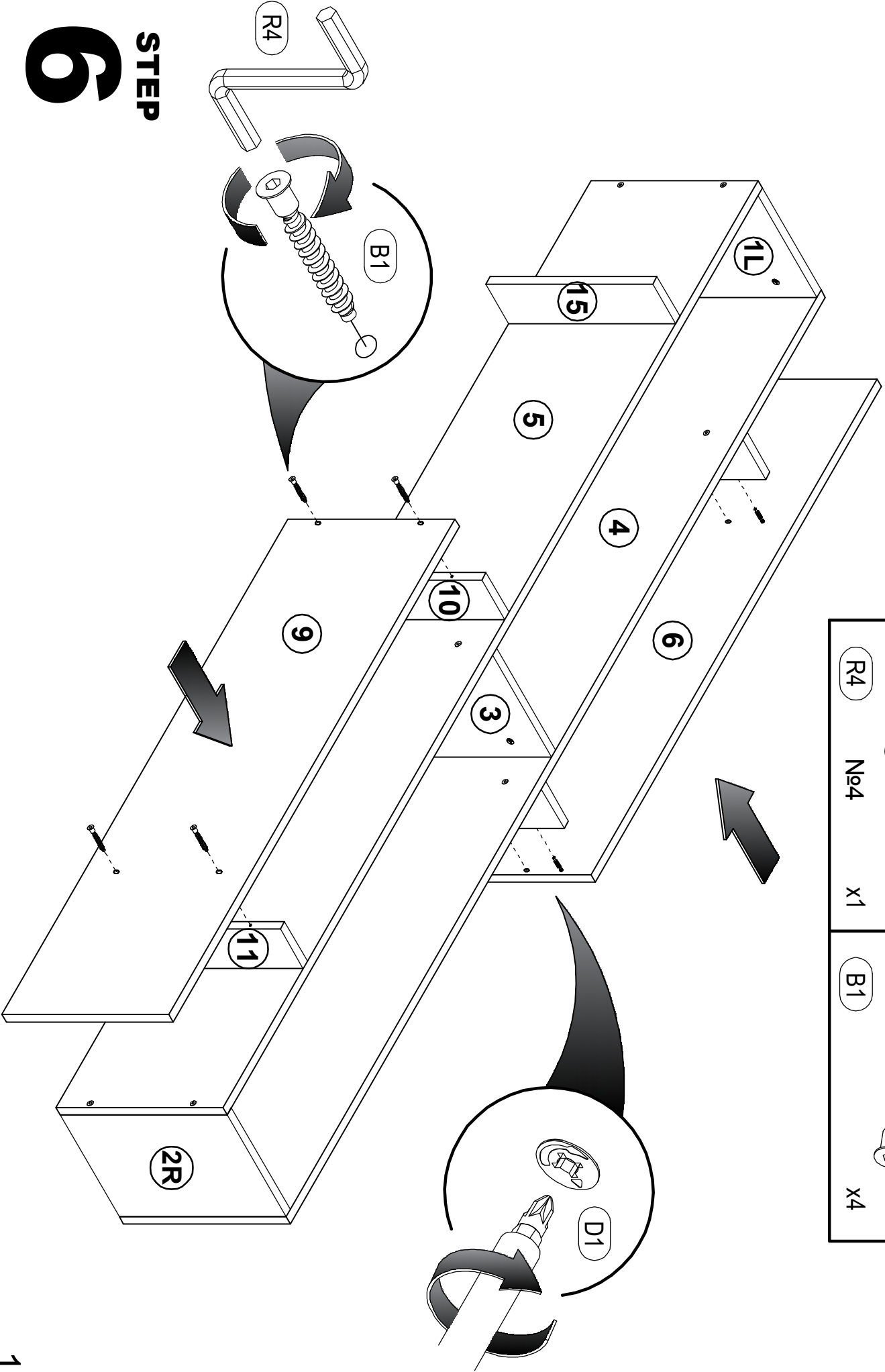


STEP
4



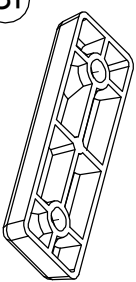
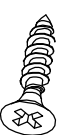
STEP
5

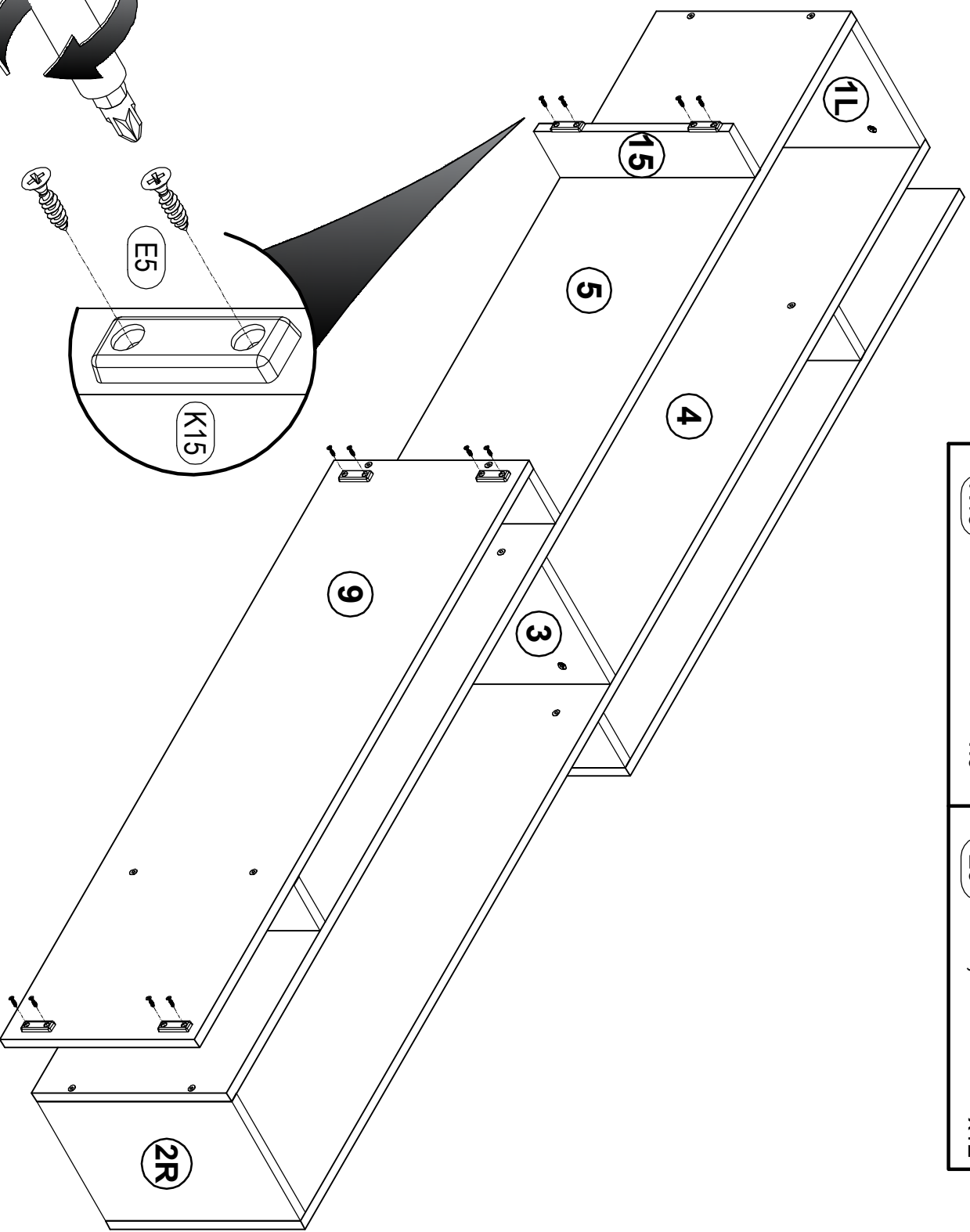
	
R4	B1
Nº4	
x1	x4



STEP

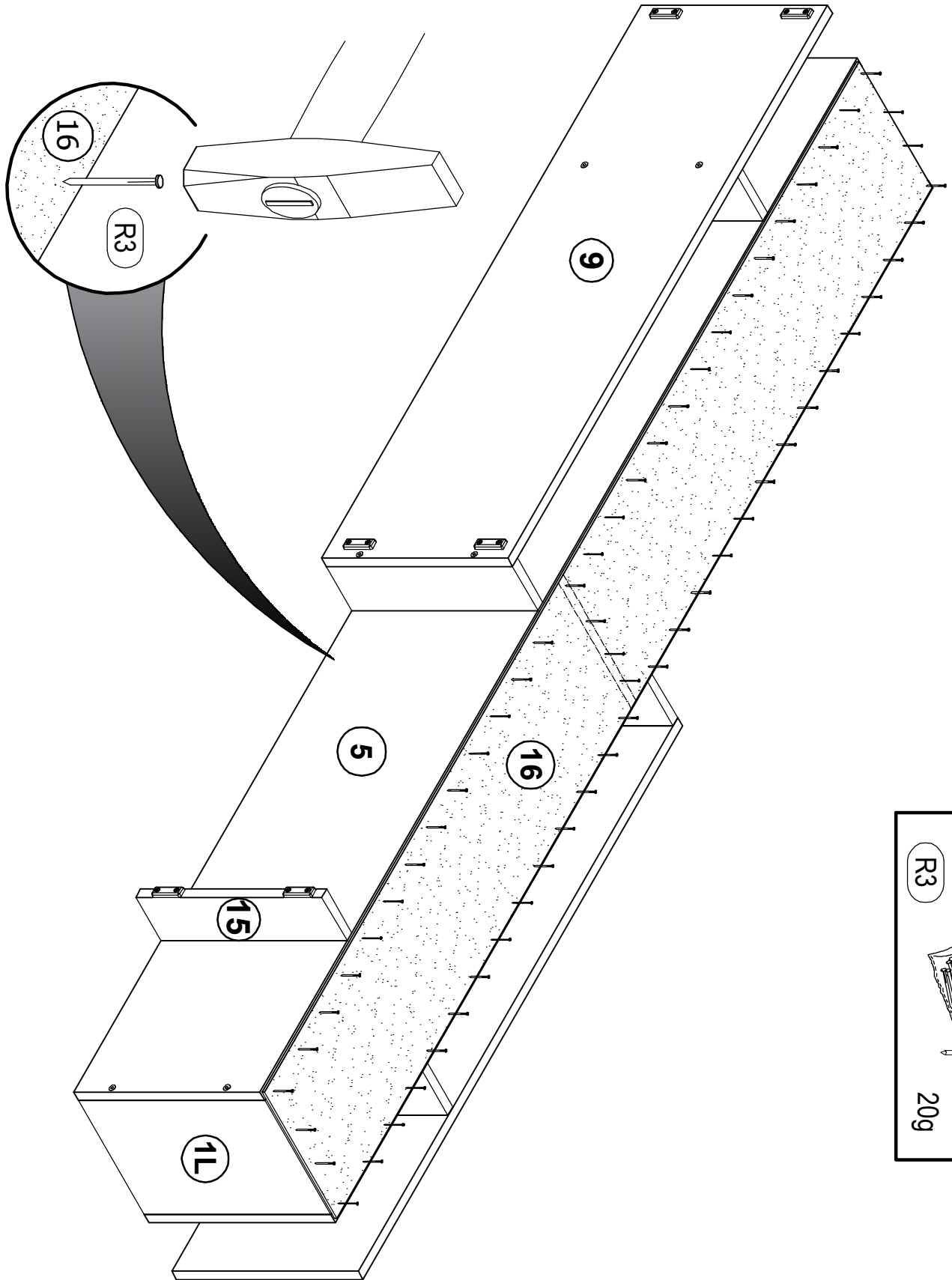
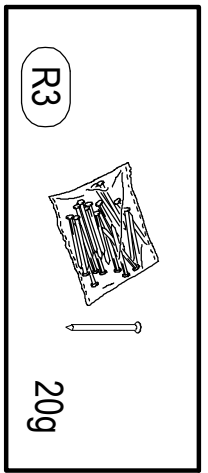
6

 K15 x6	 E5 3,5x16 x12
---	--

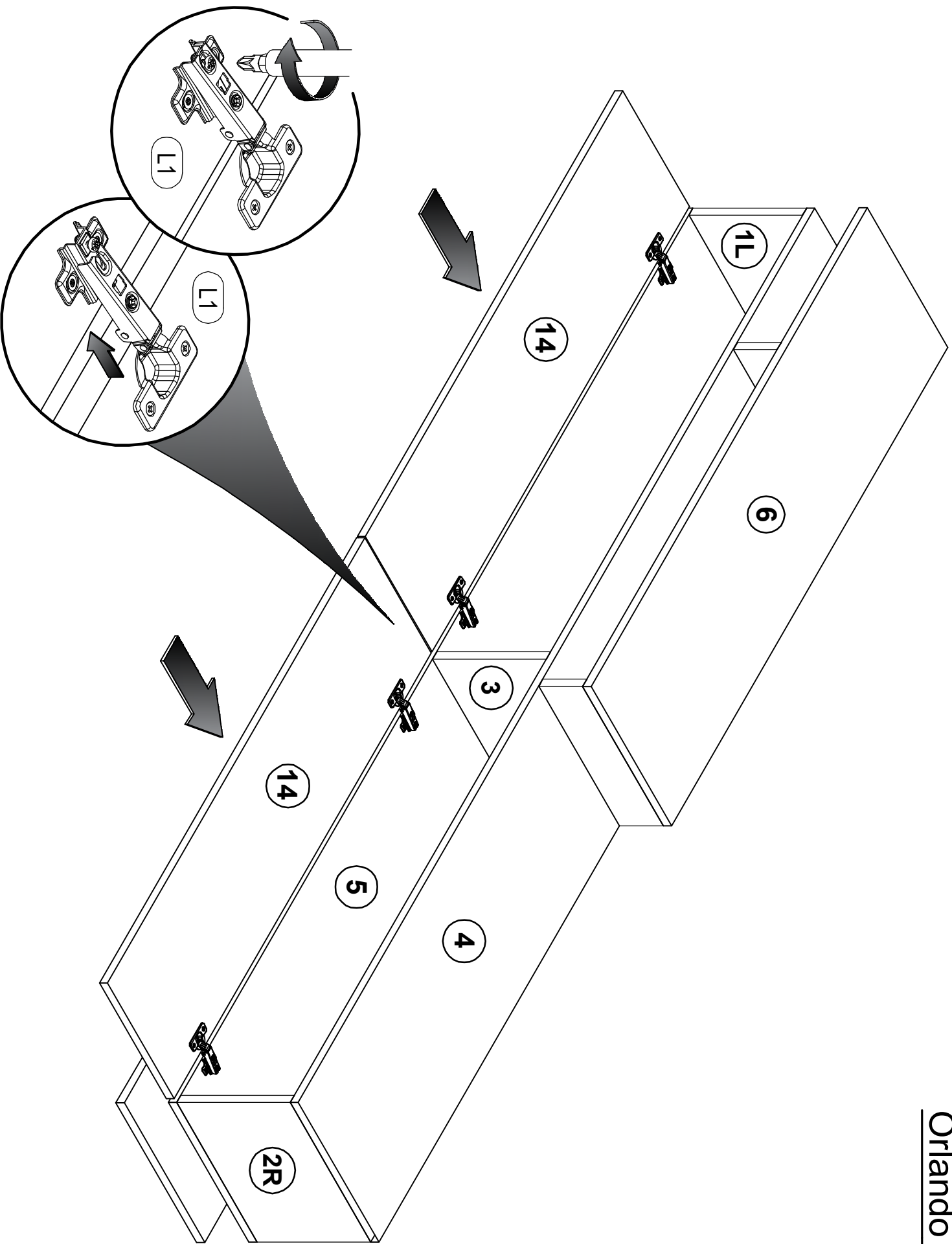


STEP


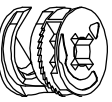
7

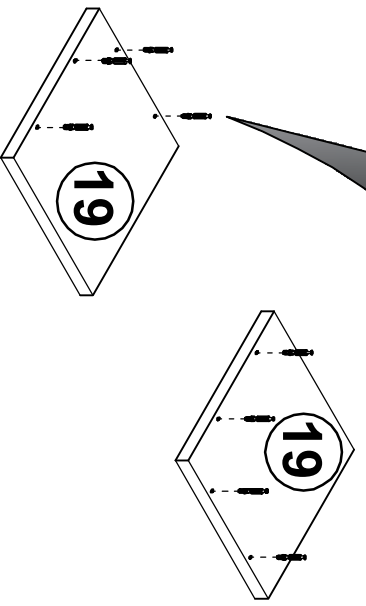
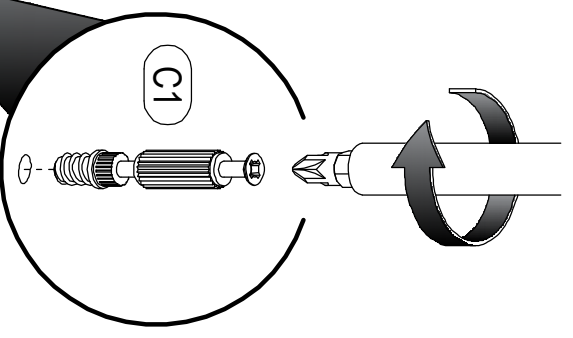
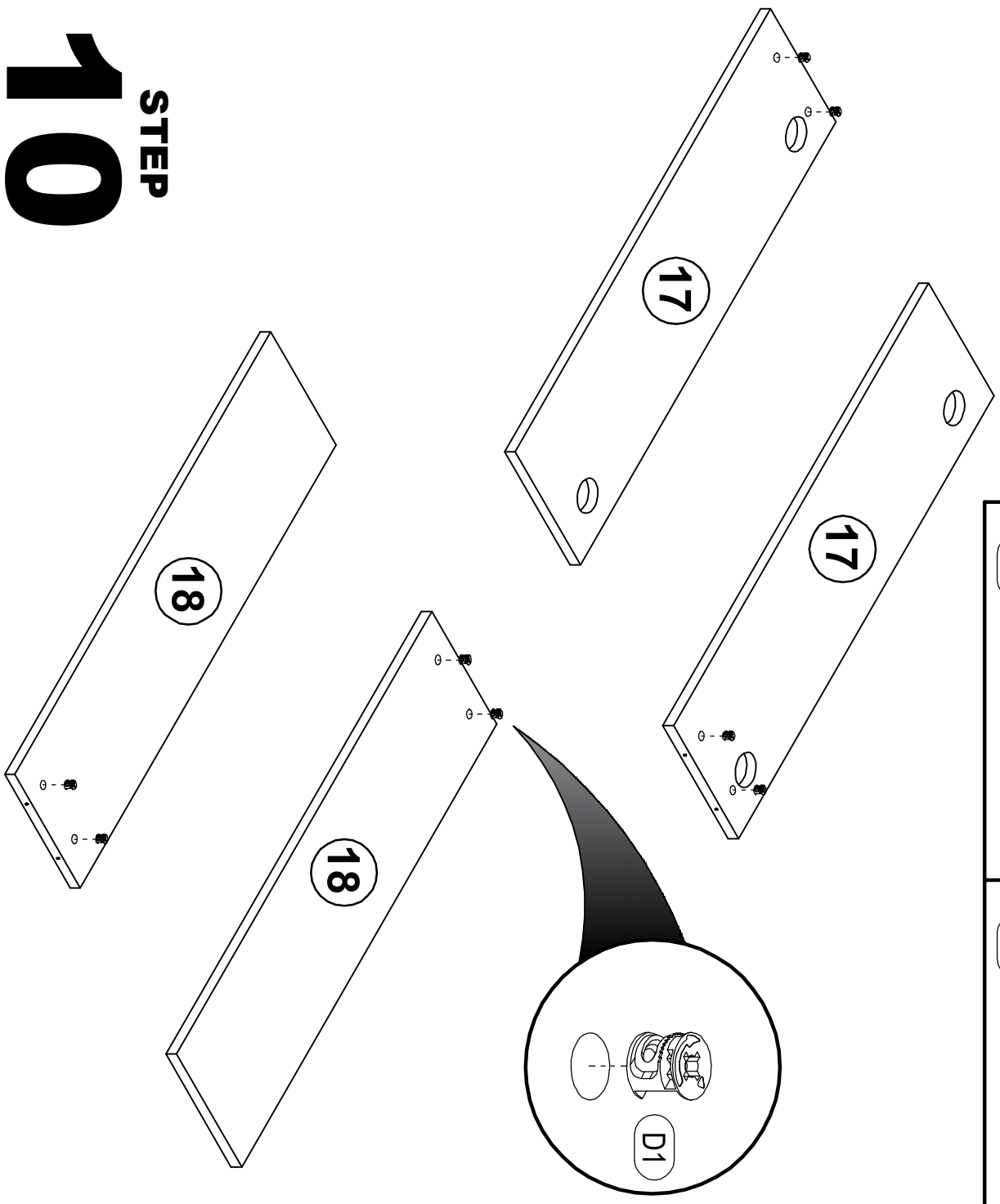


STEP
8

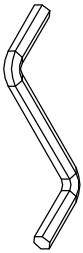
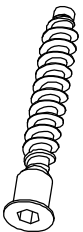


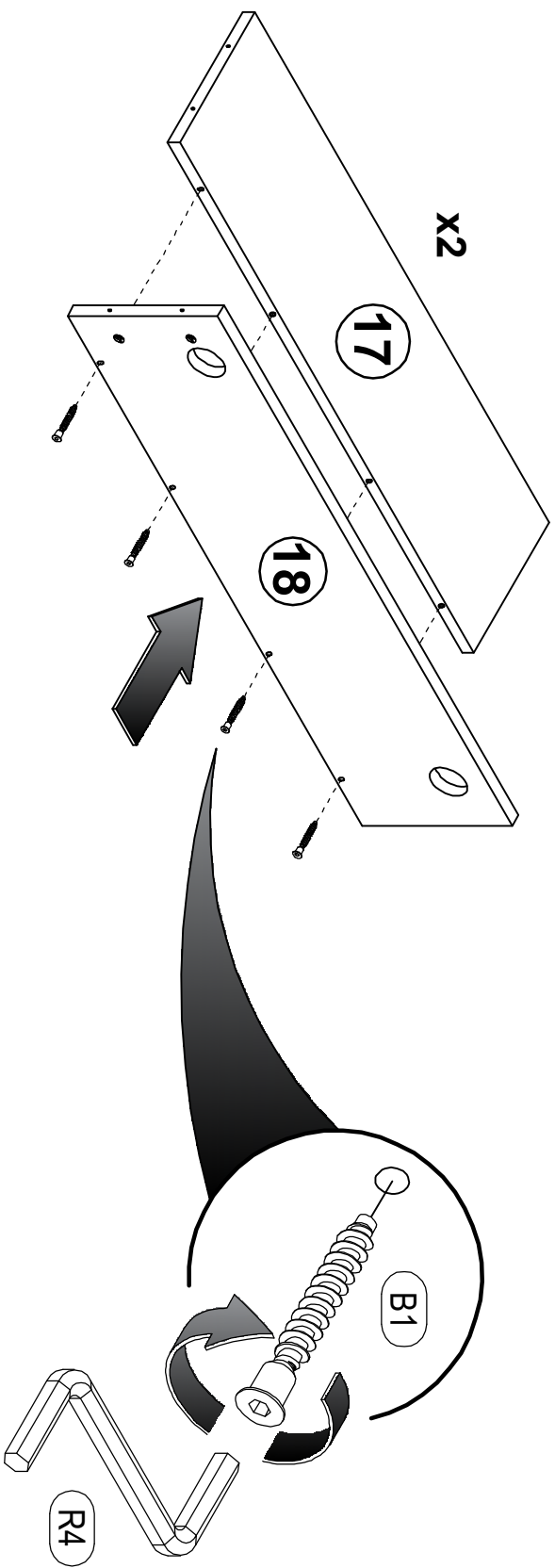
9
STEP

 C1 6x43mm x8	 D1 15/16 x8
---	--

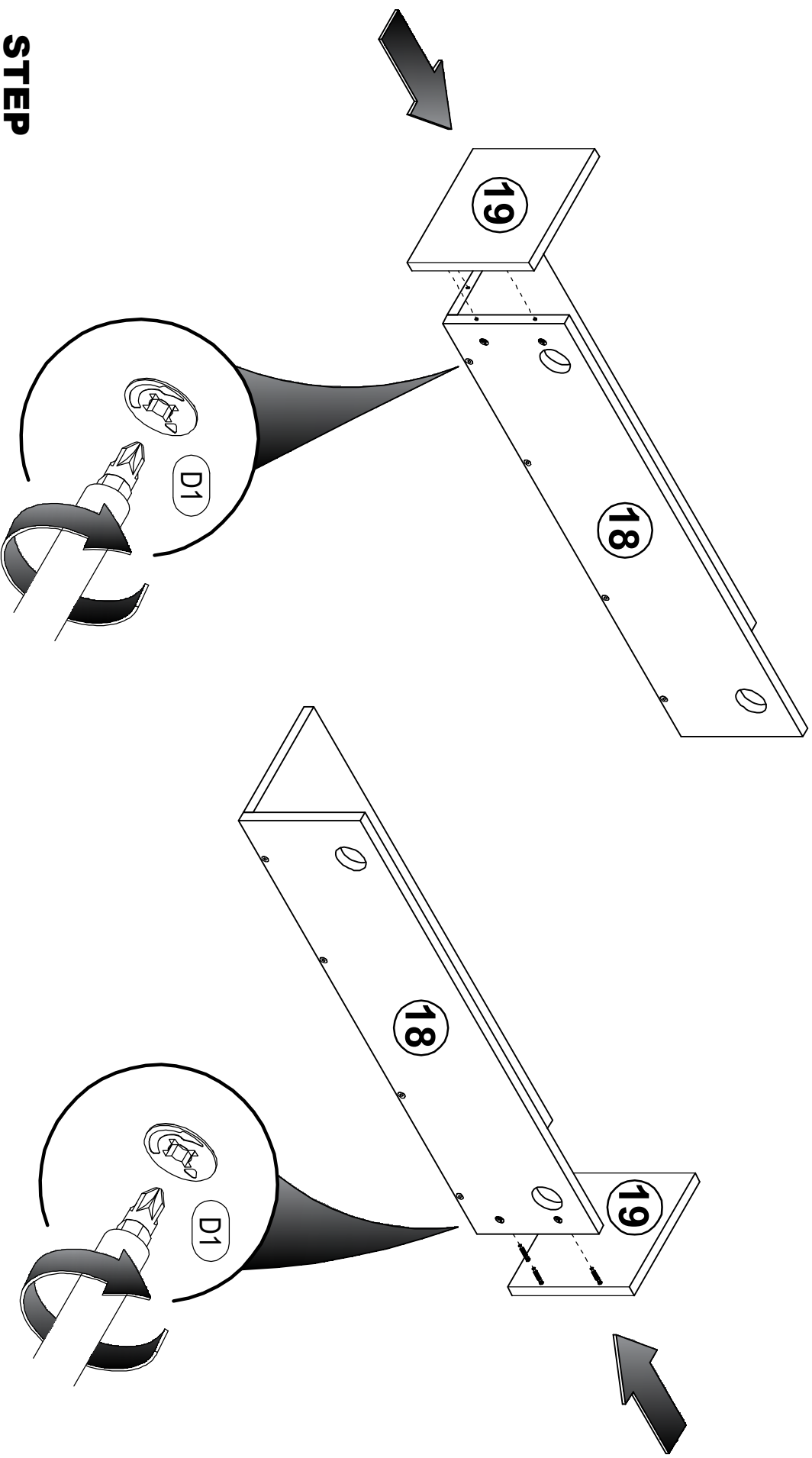


STEP 10


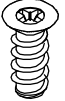
 R4 №4	 B1 x8
---	--

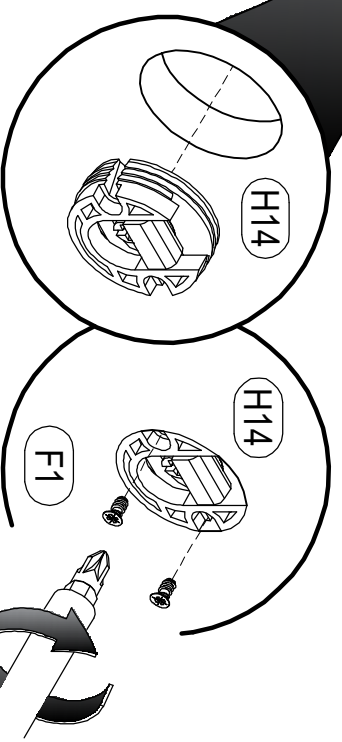
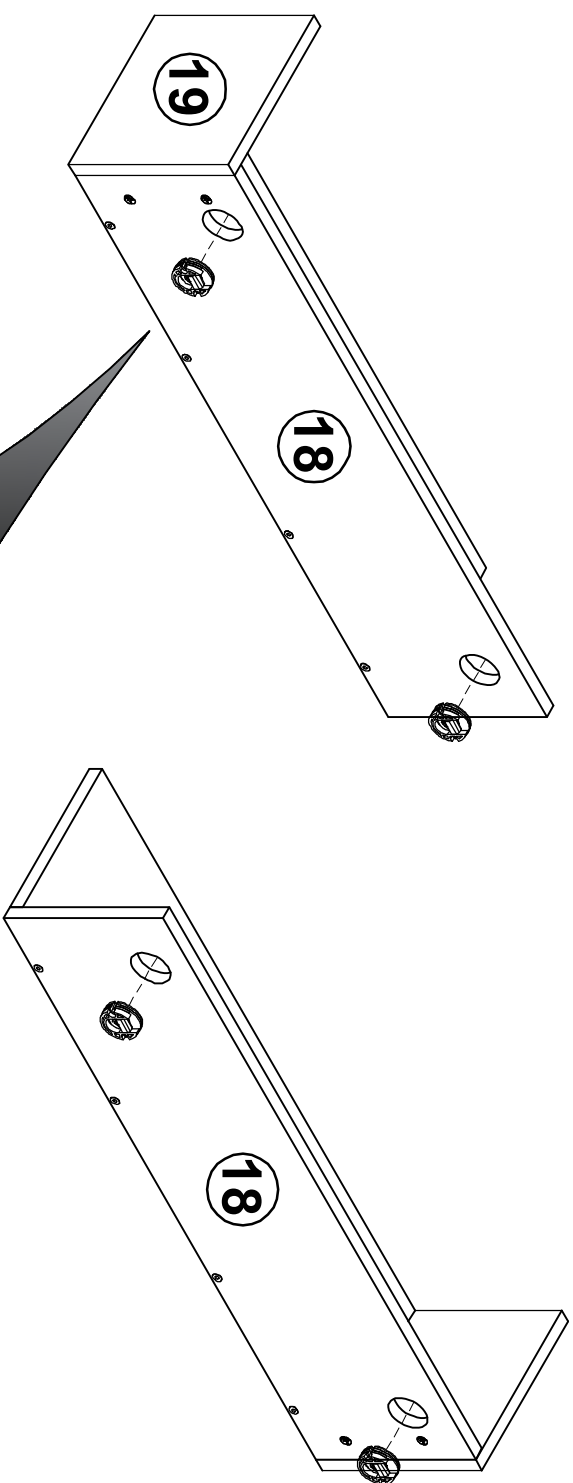


STEP
11

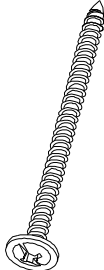



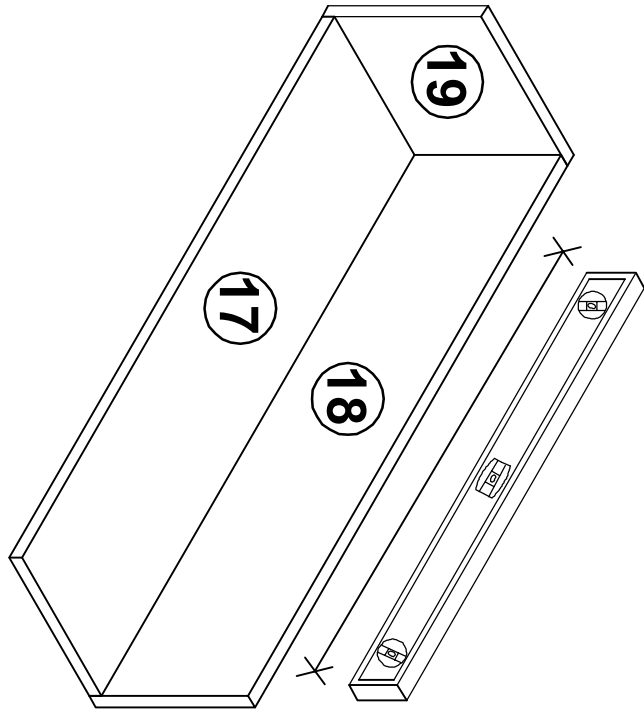
STEP
12

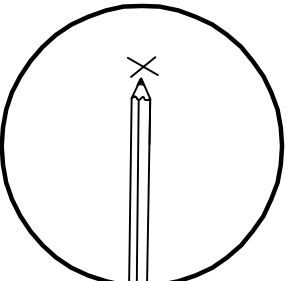
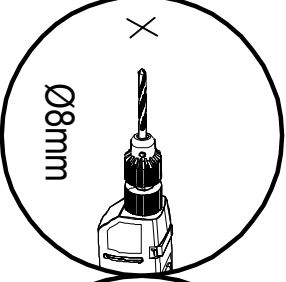
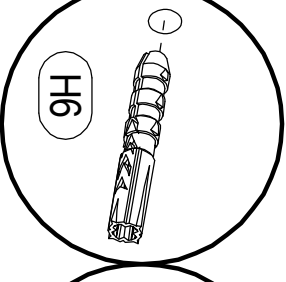
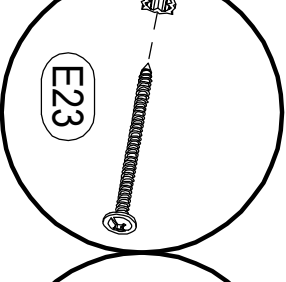
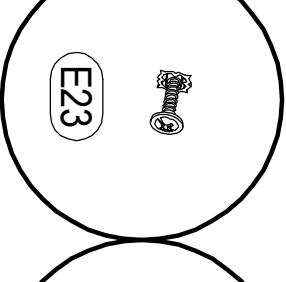
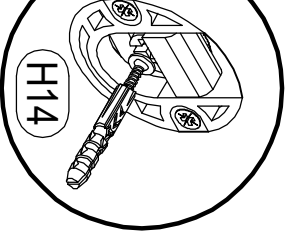
 H114	x4	 F4	5*9	x8
---	----	---	-----	----



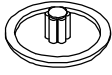

STEP 13

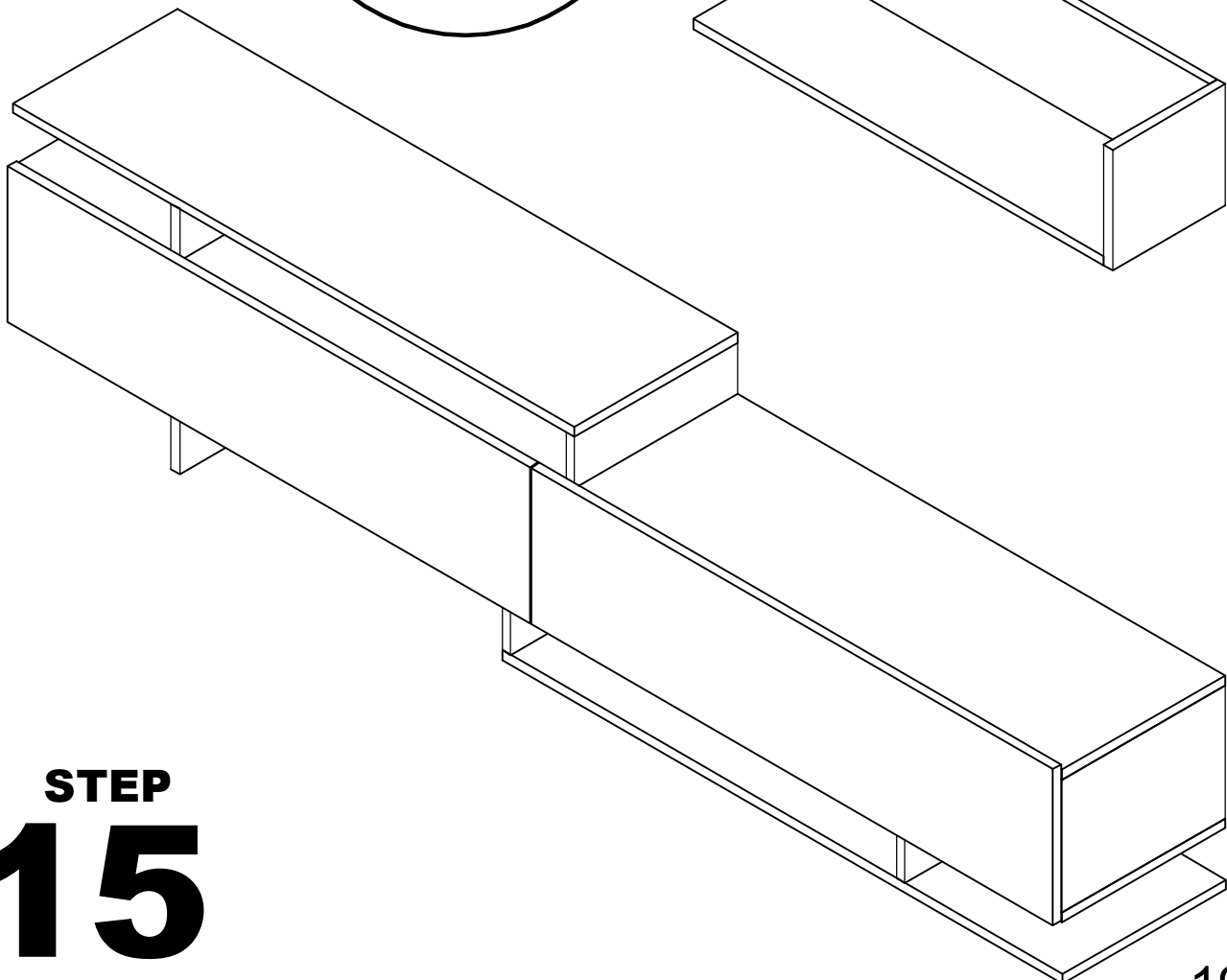
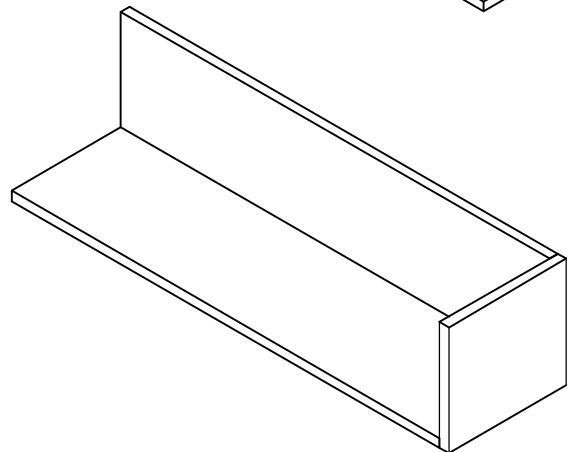
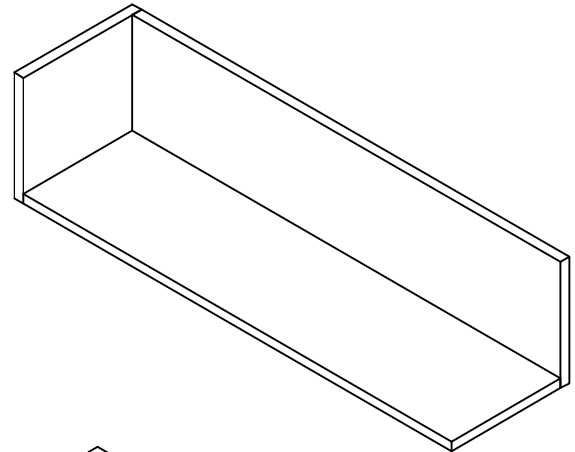
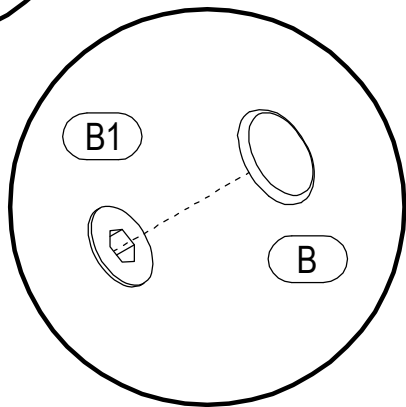
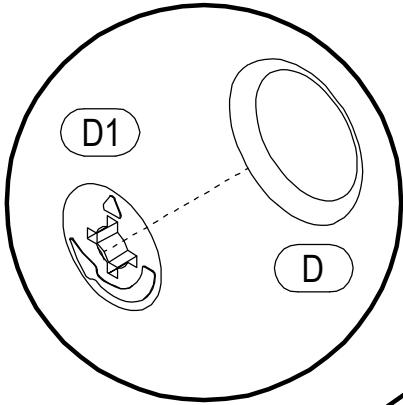
	
E22 4,2*65mm x4	H5 8*50mm x4



-  X
-  X
Ø8mm
-  H6
-  E23
-  E23
-  H14

STEP 14

							
D	Ø20mm	x24		B	φ12mm	x28	



STEP
15

