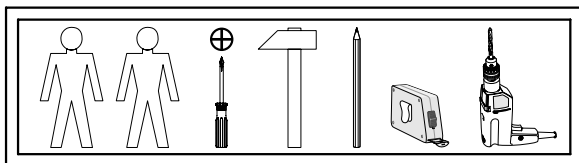
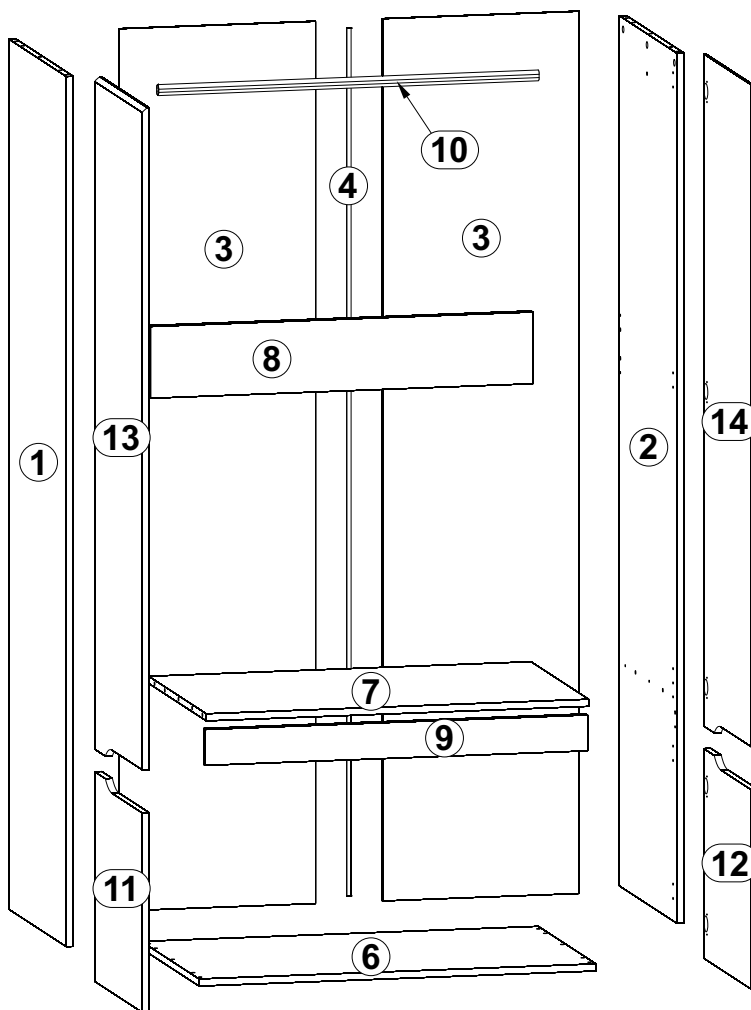
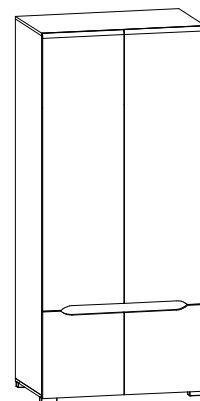
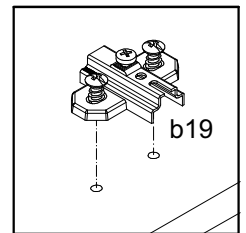
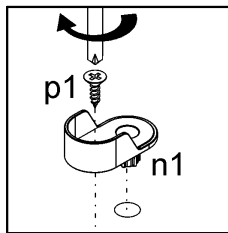
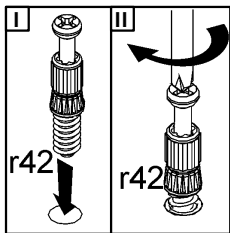
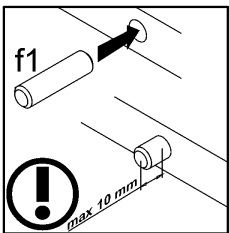
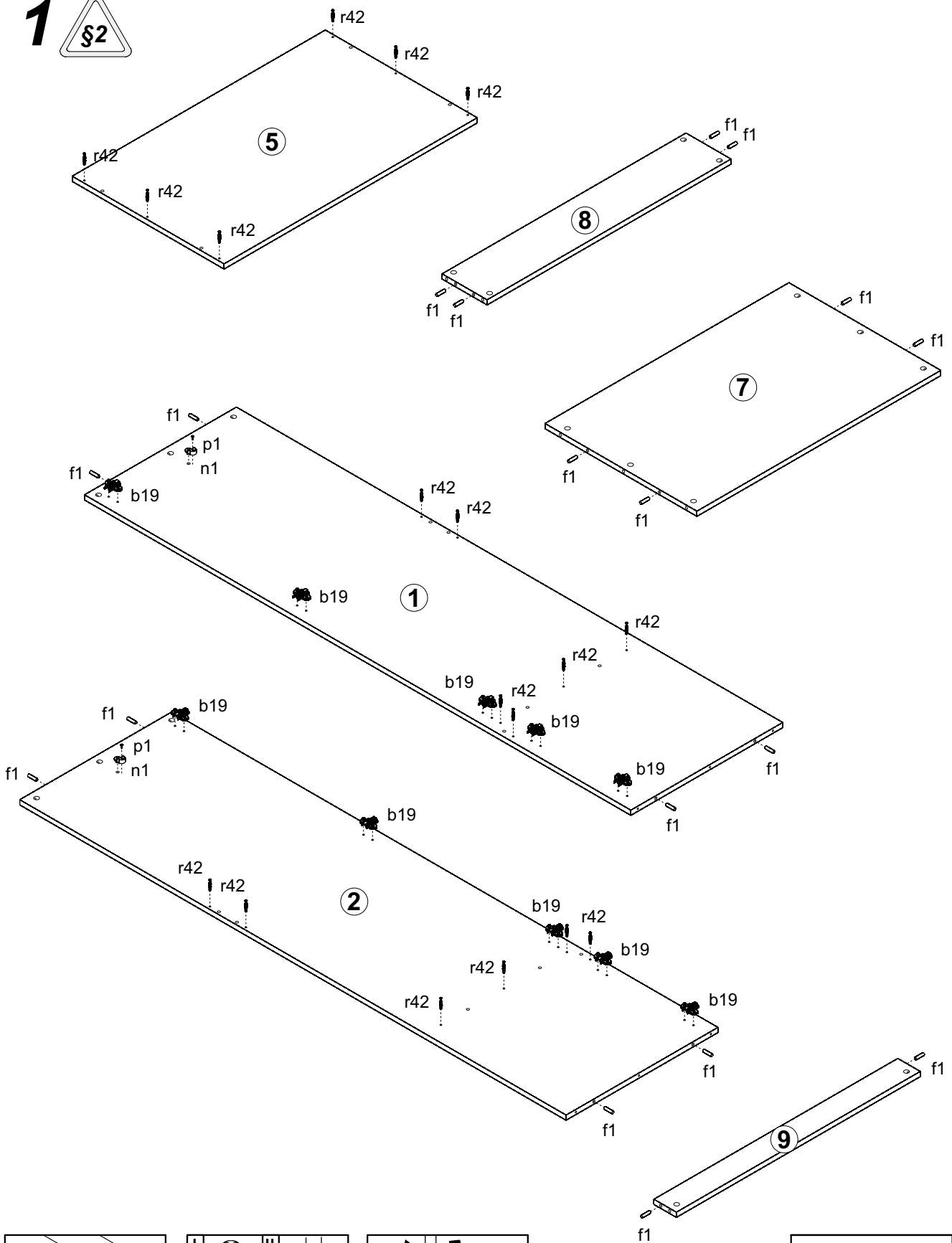


A	B	C	D
1	S314-118	1942	540 1/3
2	S314-119	1942	540 1/3
3	S314-911	1969	446 1/3
4	LH-1941	1941	14 1/3
5	S314-211	900	540 2/3
6	S314-212	900	540 2/3
7	S314-305	867	540 2/3
8	S314-406	867	160 2/3
9	S314-575	867	80 2/3
10	DR-862	862	2/3
11	S314-023	446	468 3/3
12	S314-024	446	468 3/3
13	S314-025	446	1500 3/3
14	S314-026	446	1500 3/3

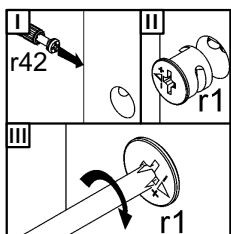
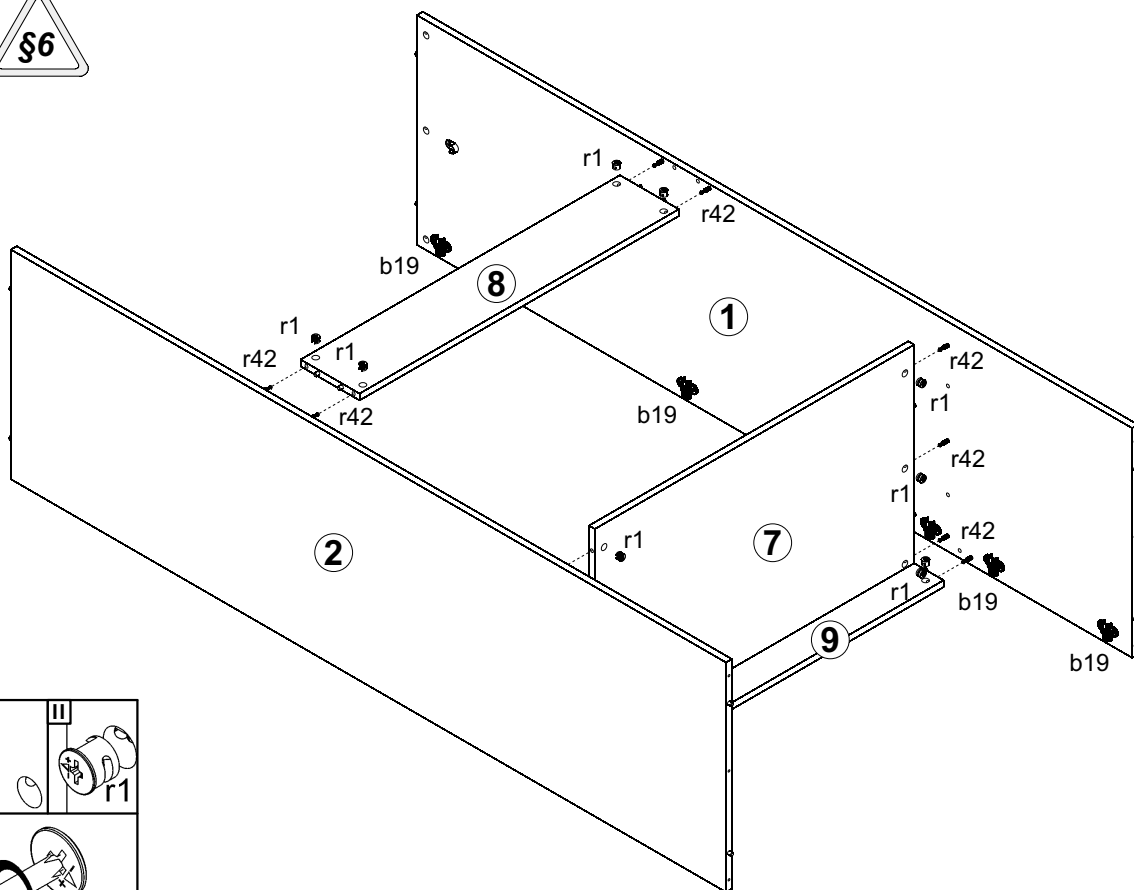


10x  a44	10x  b19	6x  φ7x50 mm e1	18x  φ8x30 mm f1	4x  84x40/25 mm k77	70x  l1	2x  n1	1x  n26\1
2x  φ3,5x13 mm p1	8x  φ4x25 mm p36	7x  φ3,5x16 mm p38	20x  φ3,5x15 mm p51	18x  φ15x12 mm #16 r1	18x  20/11 r42	6x  φ16 s2	1x  z1

# 1



2 



3

