

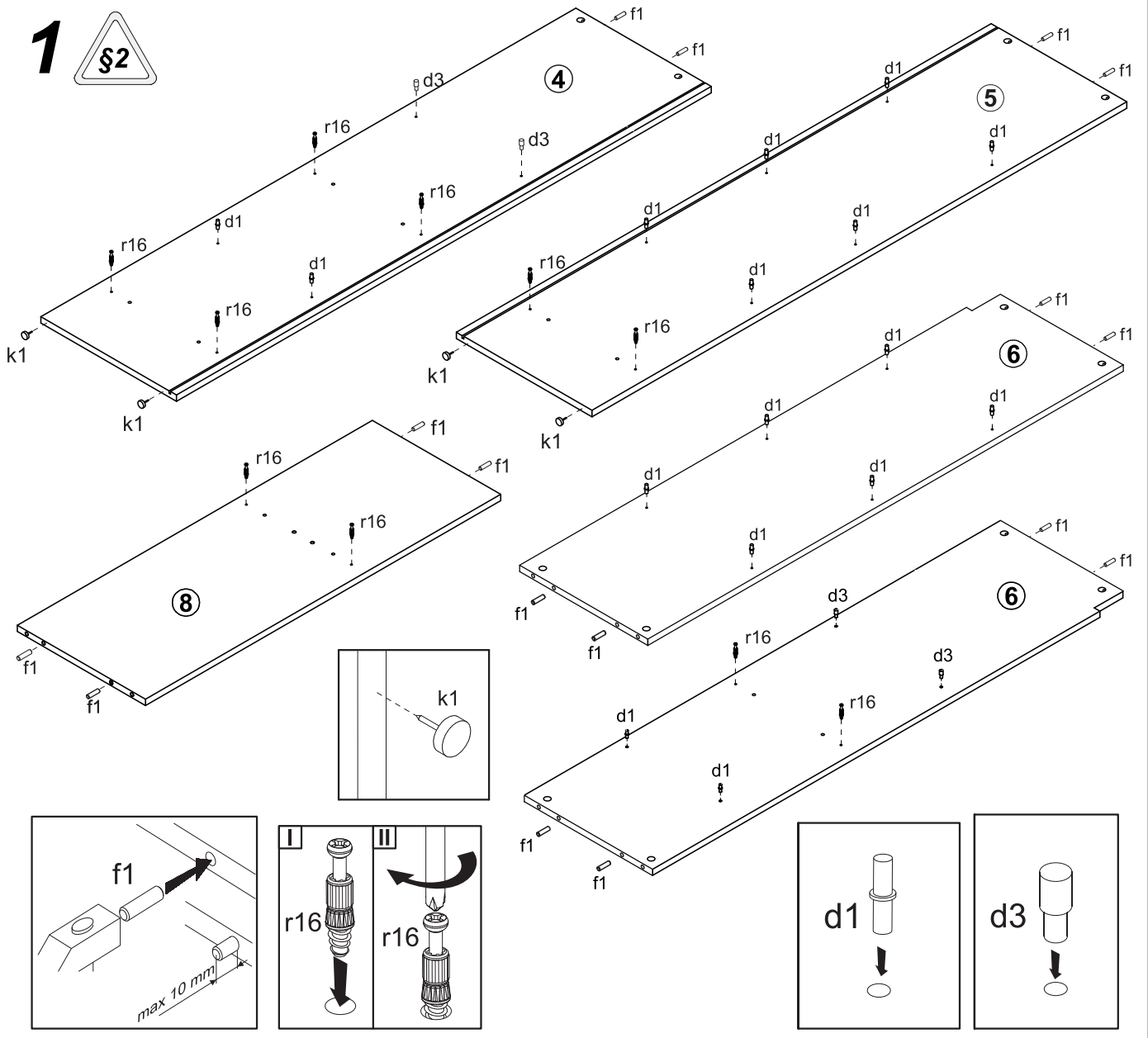
A	B	C	D
1	BN1-005	530	150 1/2
2	BN1-004	530	592 1/2
3	BN1-006	1230	300 2/2
4	BN1-105	1464	371 1/2
5	BN1-106	1464	371 1/2
6	BN1-107	1301	351 2/2
7	BN1-202	1003	371 2/2
8	BN1-304	970	351 2/2
9	BN1-307	592	351 2/2
10	BN1-306	362	345 2/2
11	BN1-305	592	345 2/2
12	BN1-404	968	40 2/2

A	B	C	D
13	BN1-401	145	100 2/2
14	BN1-508	1004	80 2/2
15	BN1-509	1391	80 1/2
16	BN1-510	1391	80 1/2
17	BN1-511	844	80 2/2
18	BN1-5501	536	522 1/2
19	BN1-308	589	335 2/2
20	BN1-904	1322	377 1/2
21	BN1-905	1322	303 1/2
22	BN1-906	1322	303 1/2
23	LH-1300	1300	1/2

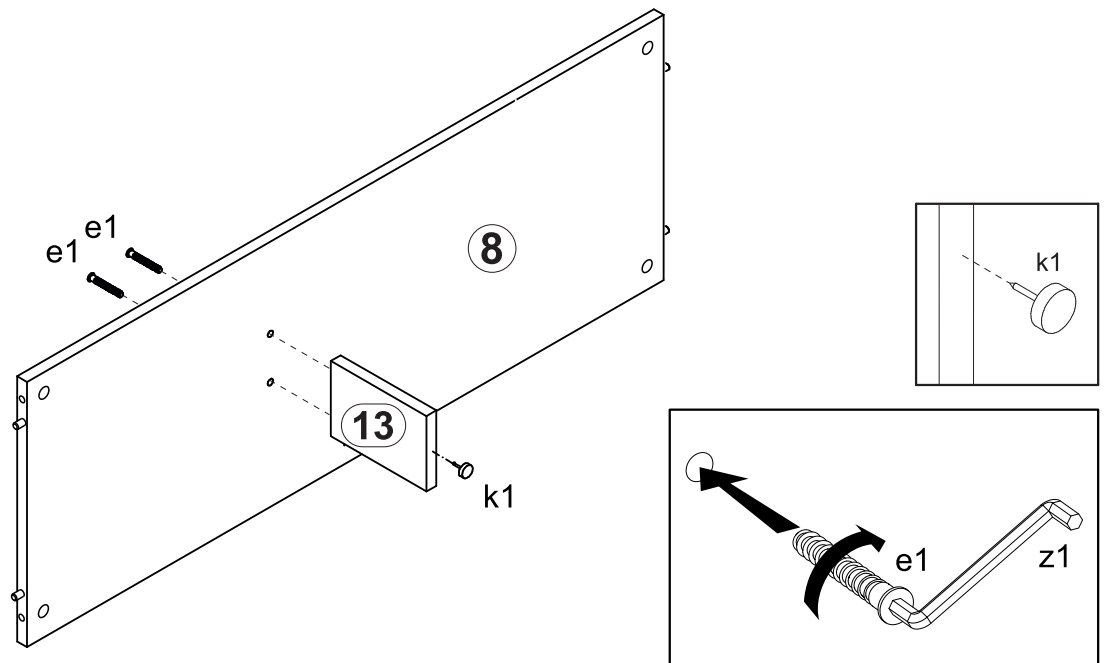


6x  a132	2x  a133	6x  b43	2x  c329/2 L-212 mm	16x  d1 φ5x16 mm	4x  d3 φ5x17 mm	14x  d37	2x  e1 φ7x50 mm
12x  e2 φ6,3x13 mm	8x  e47 φ5x16 mm	16x  f1 φ8x30 mm	5x  k1	2x  k123	15x  l1	13x  l2	1x  n26/1
8x  n108 20x13x3,5	1x  o43/8	1x  o43/6	8x  o54 φ5,3/φ8,3x4,8mm	4x  p3 φ2,9x20 mm	4x  p8 φ4x25 mm	3x  p9 φ4x30 mm	
57x  p38 φ3,5x16 mm	8x  p55 φ2,9x16 mm	12x  p51 φ3,5x15 mm	16x  r1 φ15x12mm #16	16x  r16	8x  s2 φ16	1x  z1	

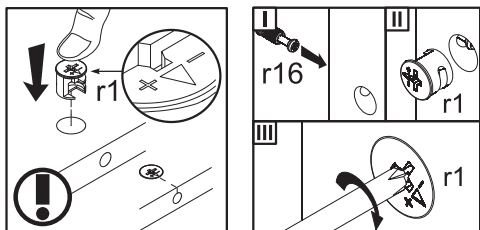
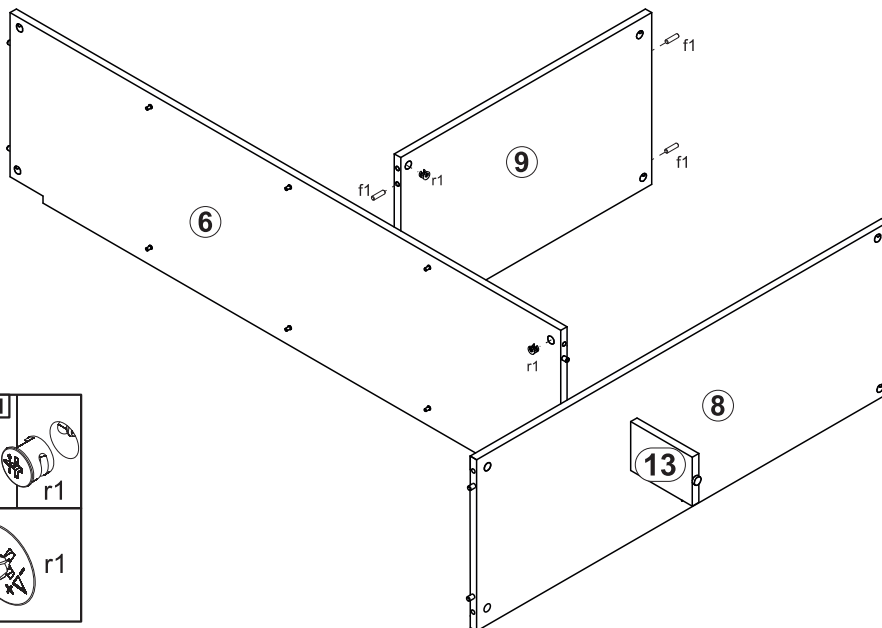
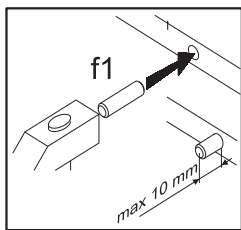
# 1



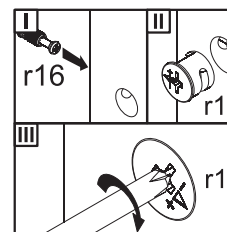
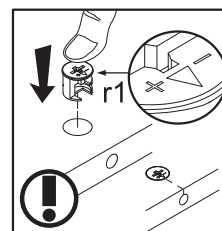
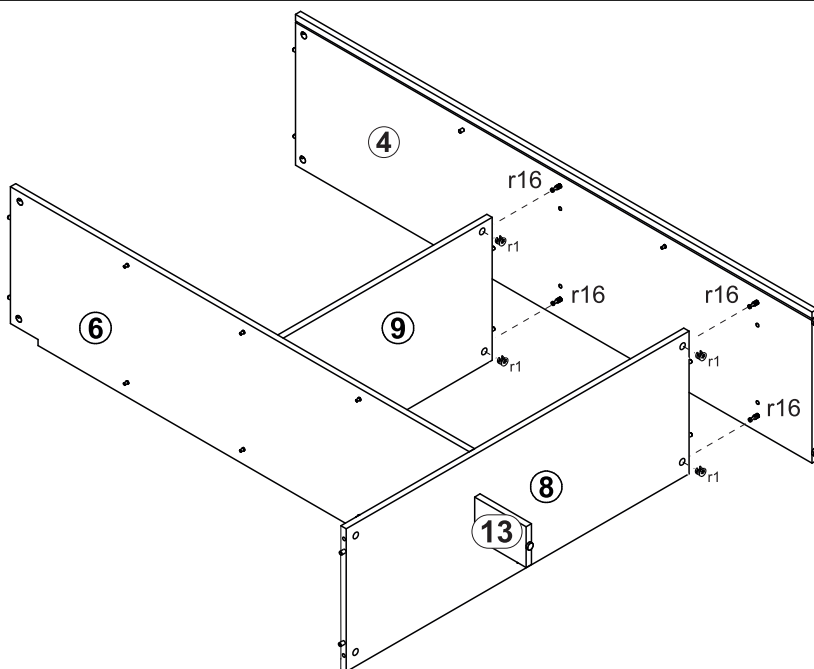
# 2



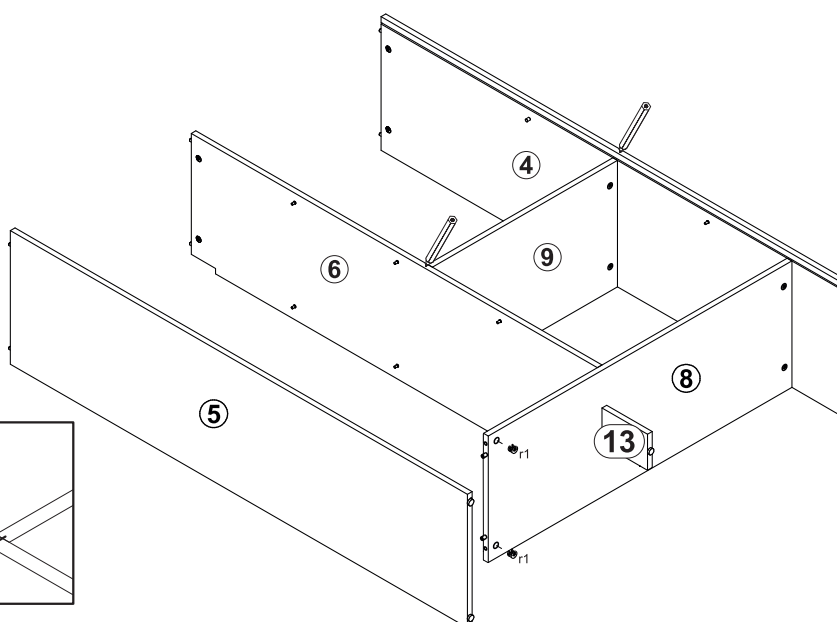
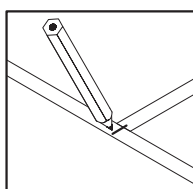
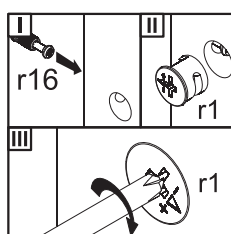
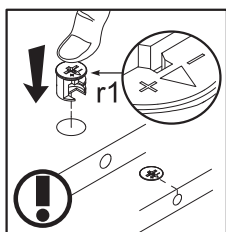
# 3



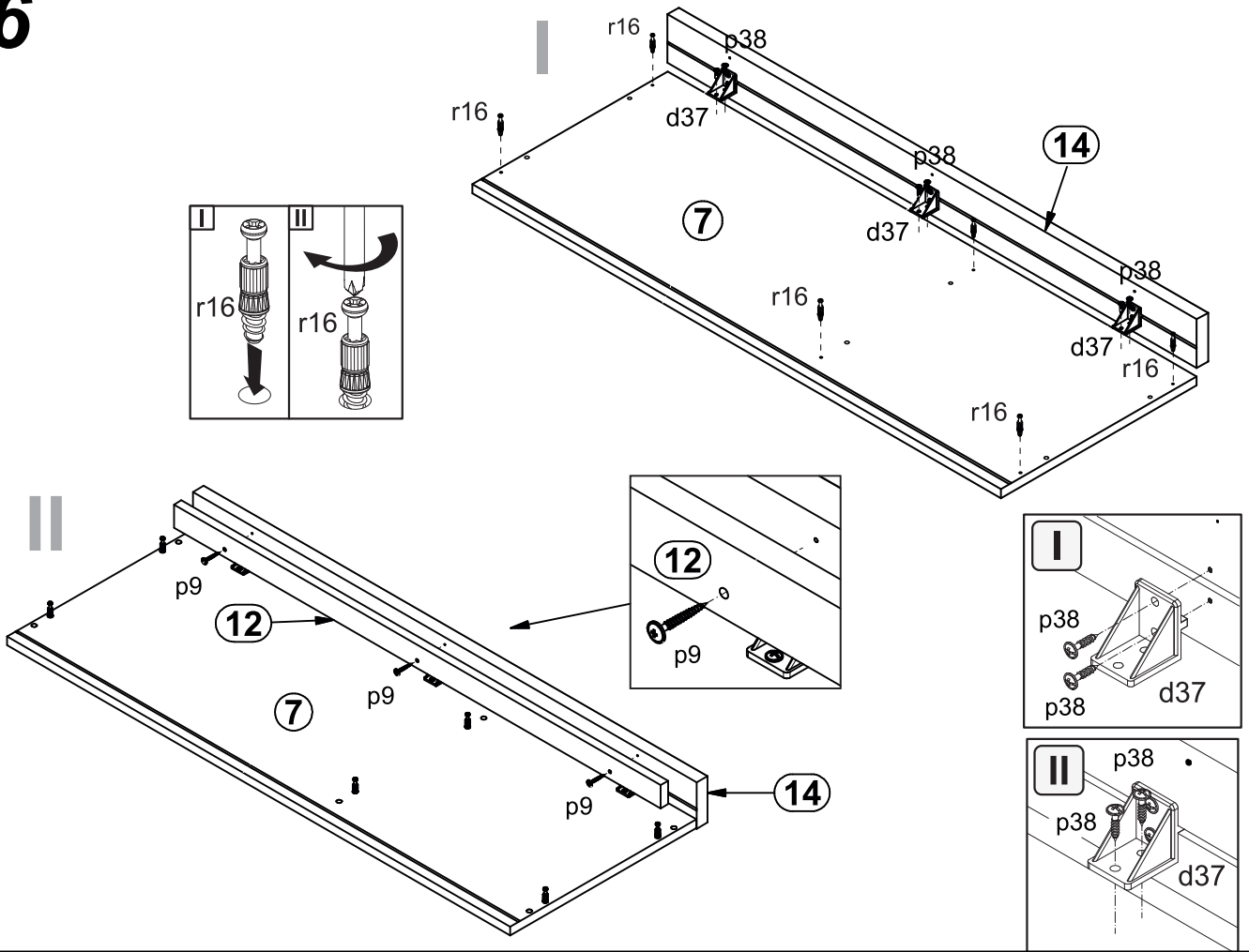
# 4



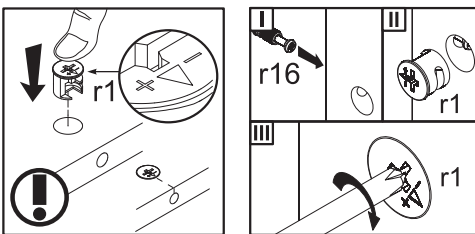
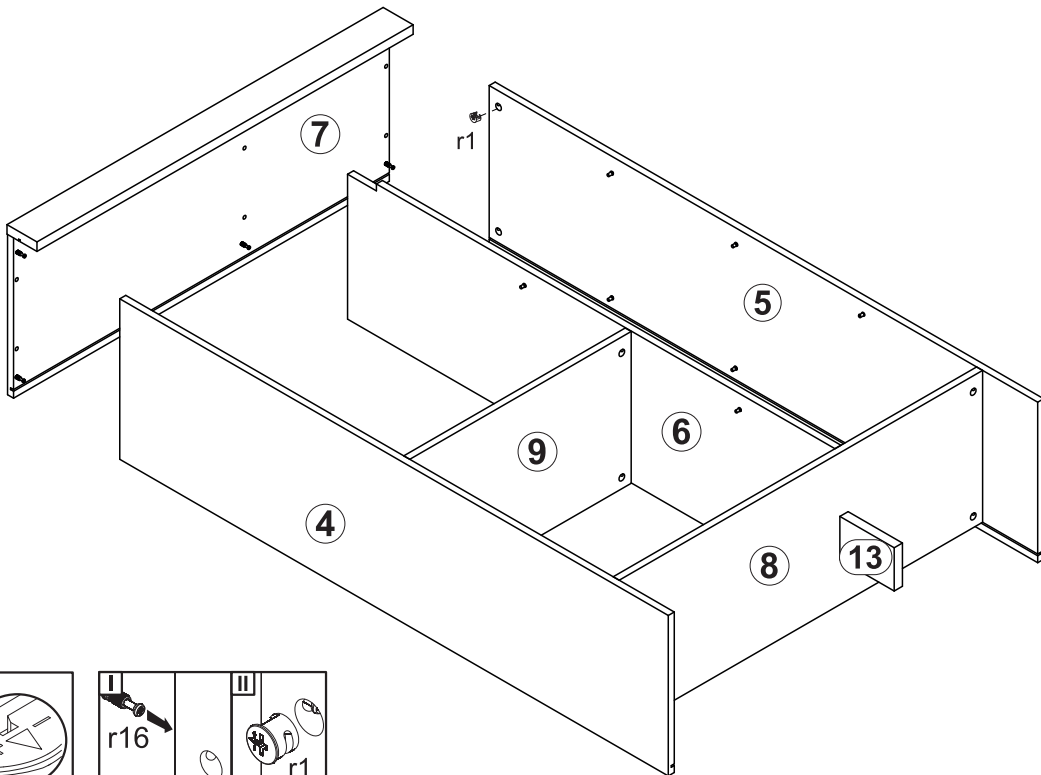
# 5



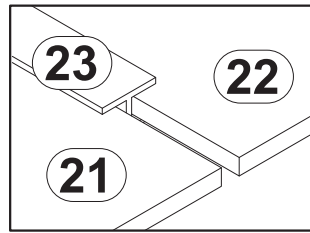
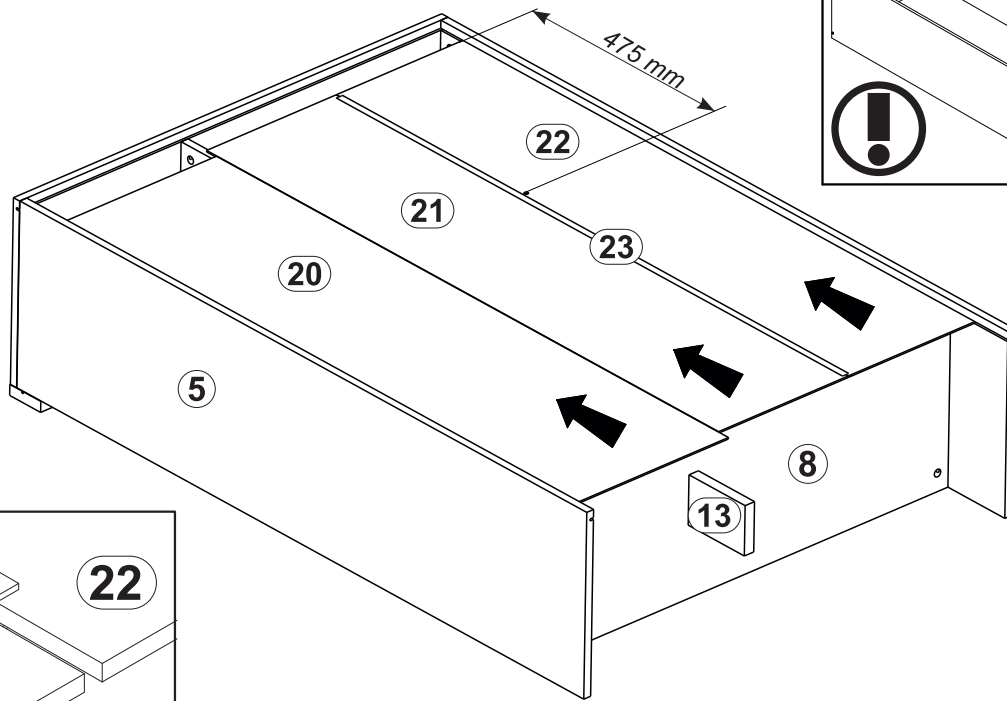
# 6



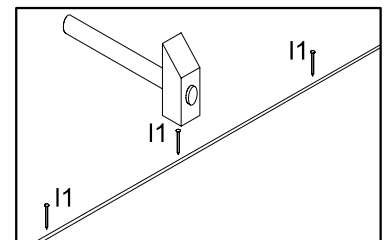
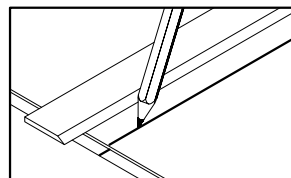
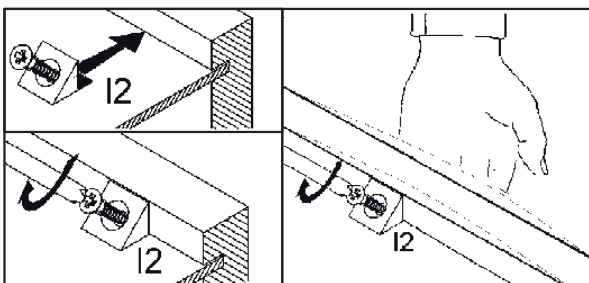
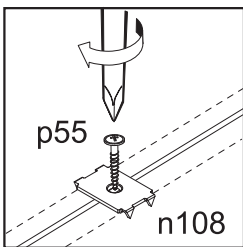
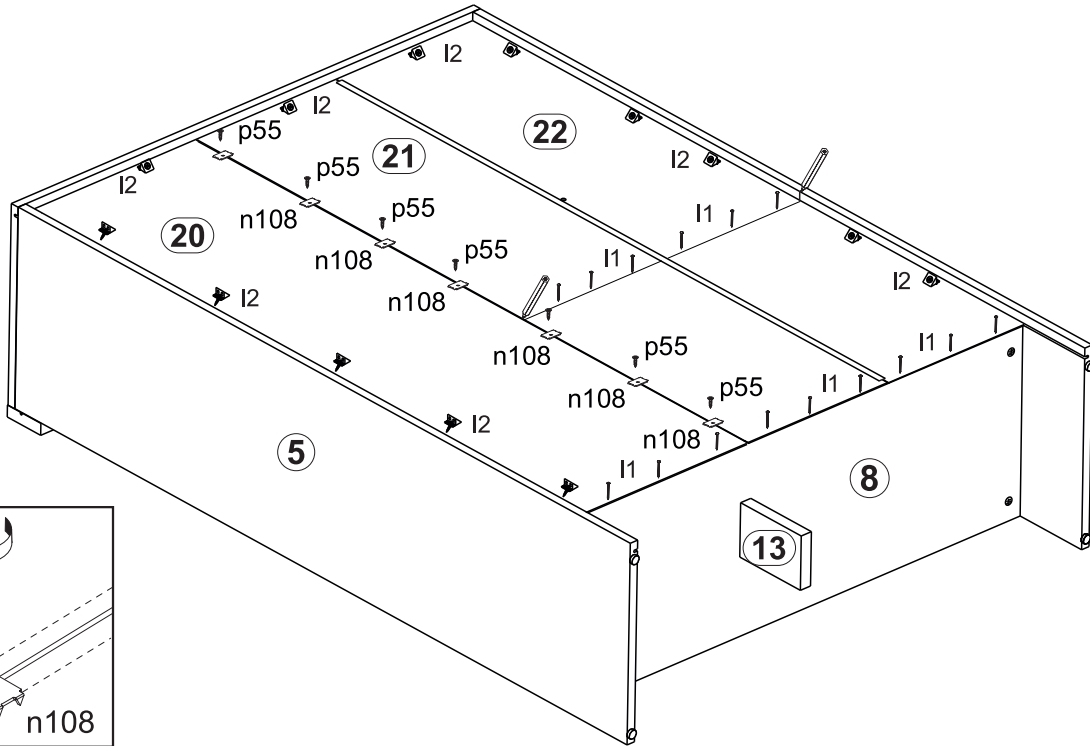
# 7



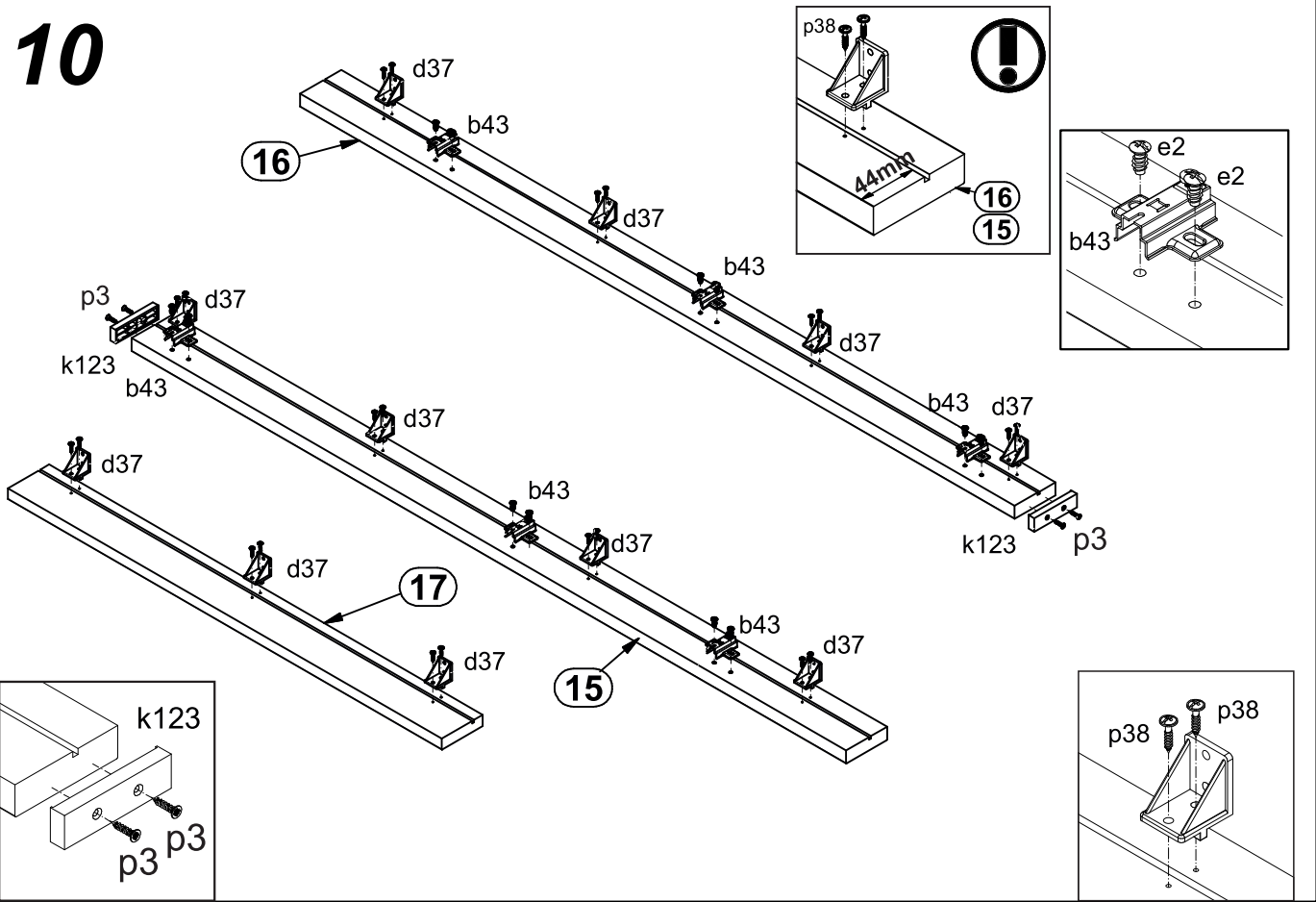
# 8



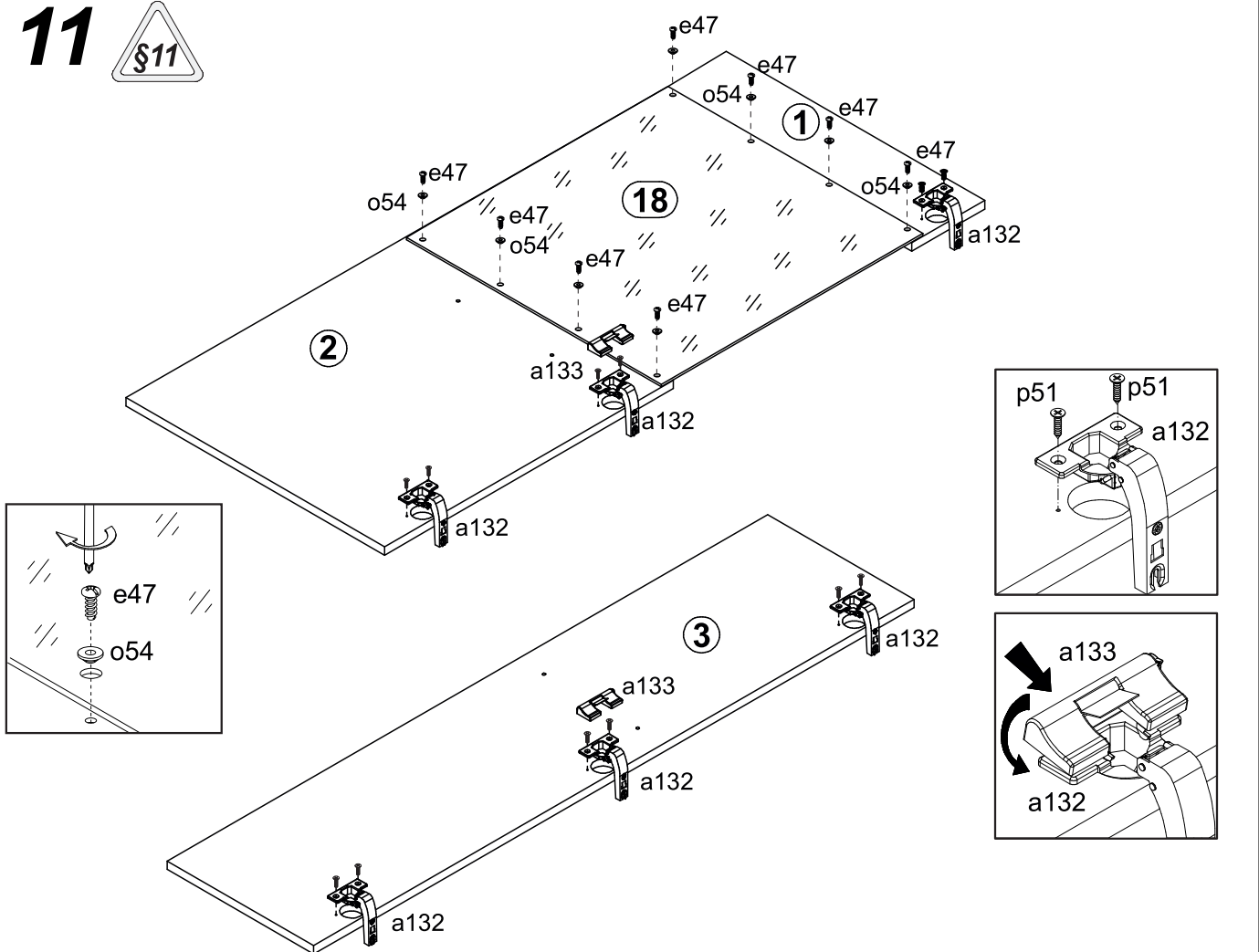
# 9



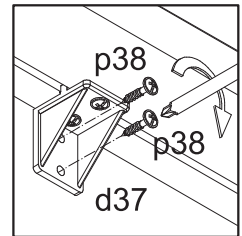
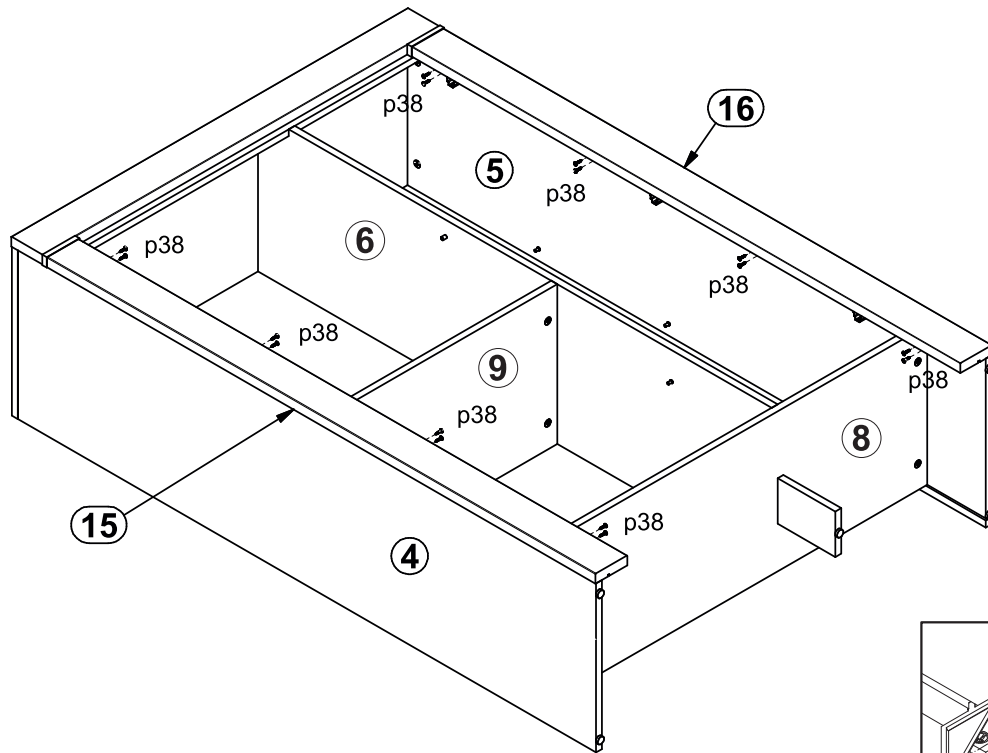
# 10



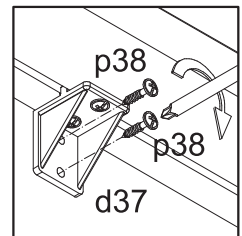
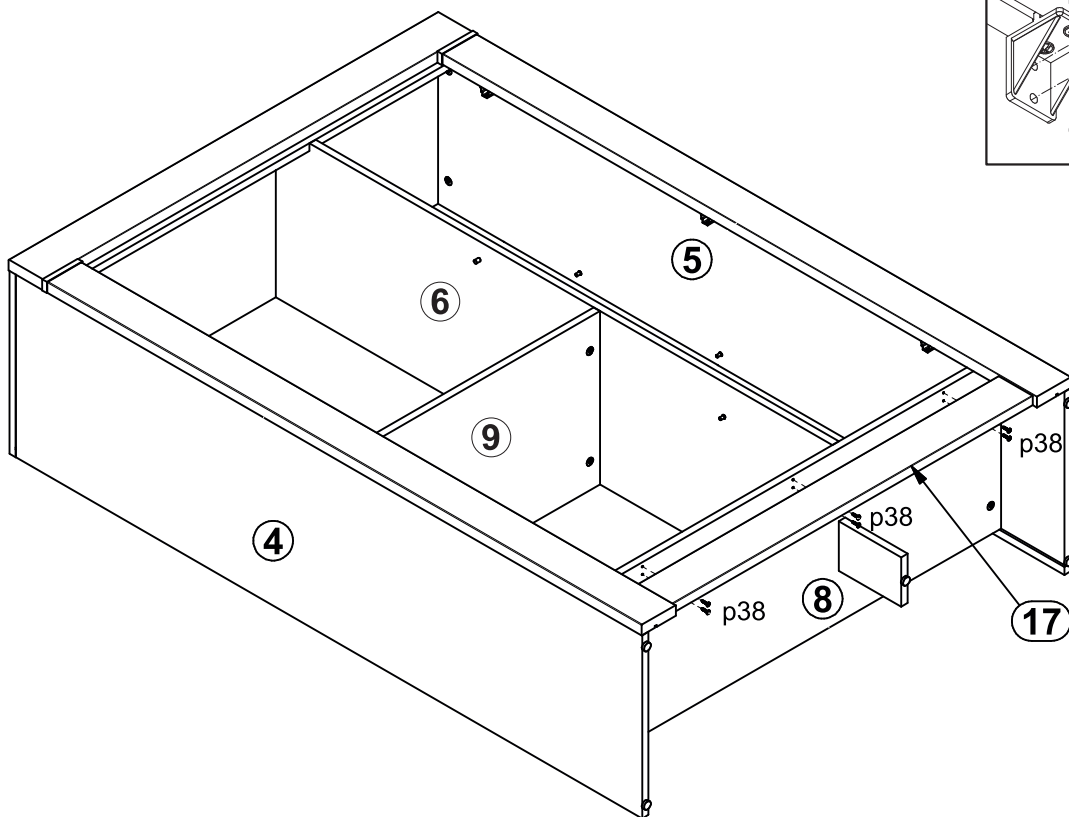
# 11



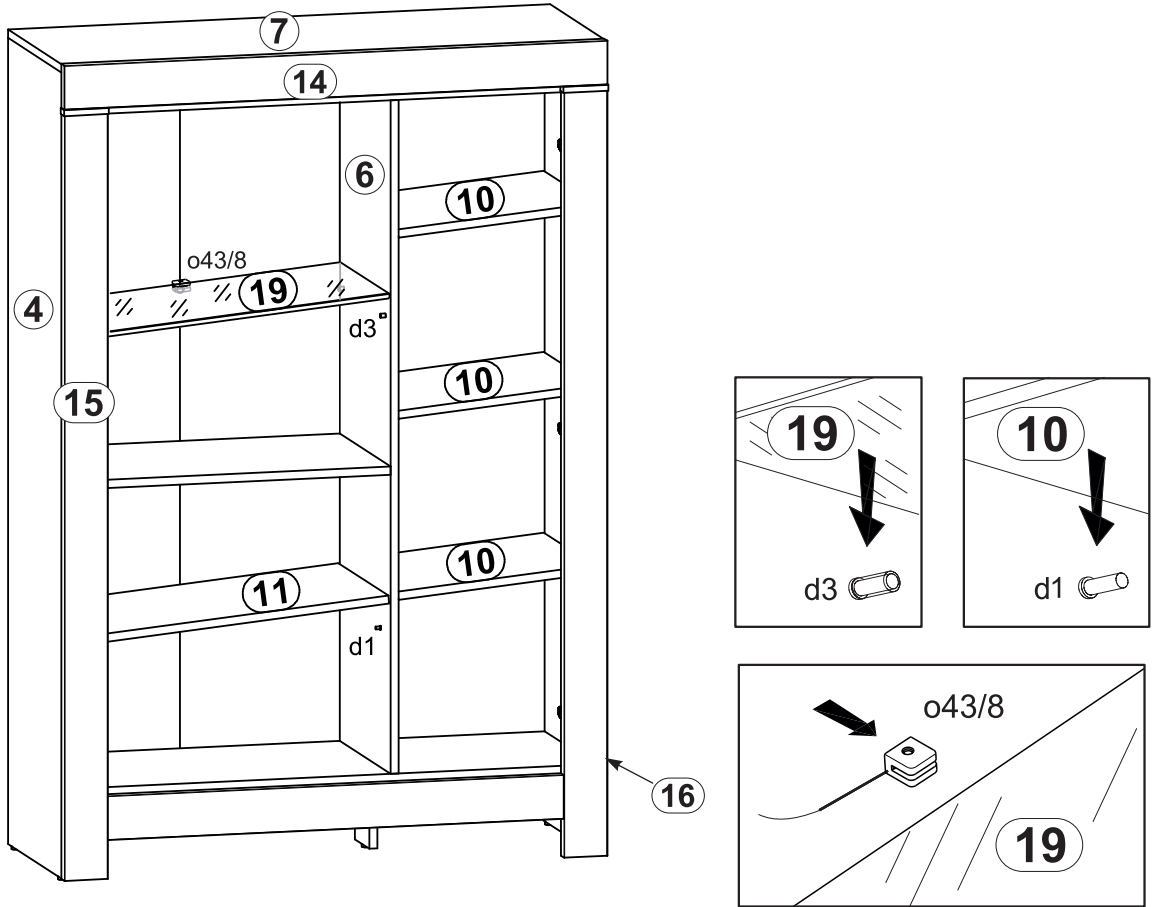
# 12



# 13



# 14



# 15

