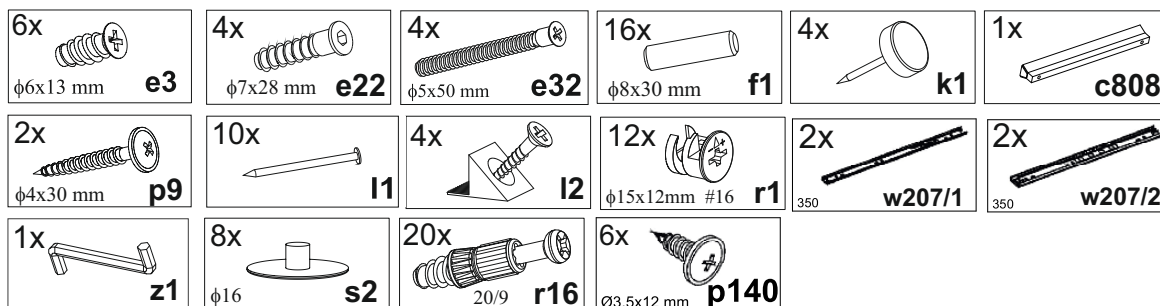
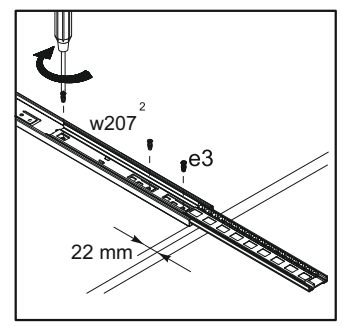
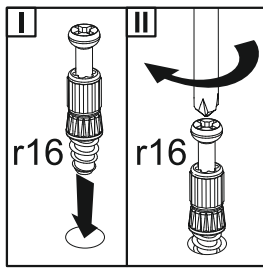
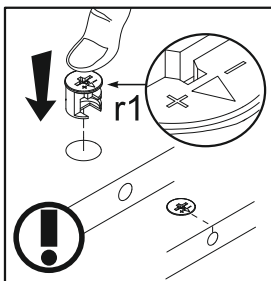
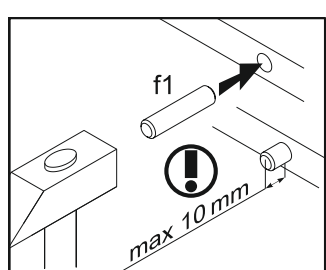
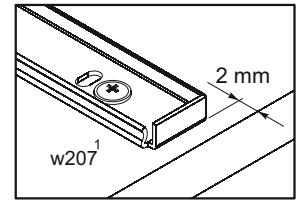
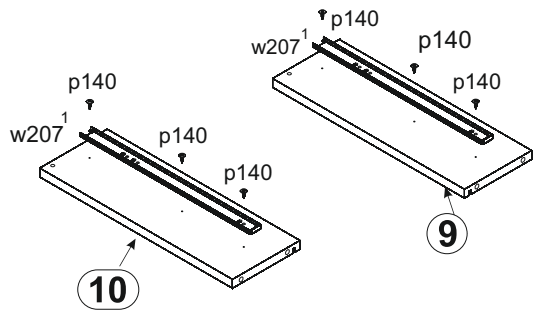
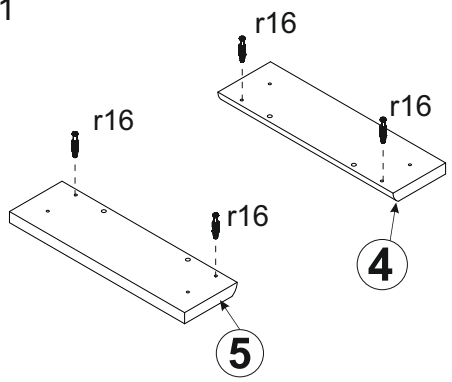
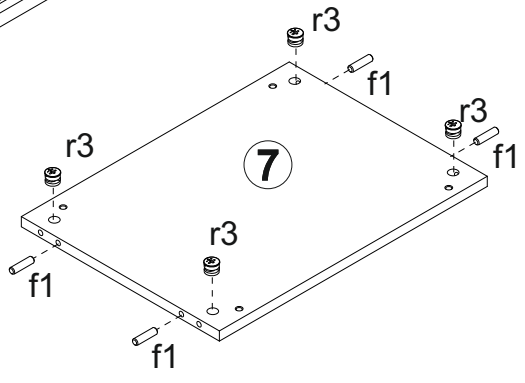
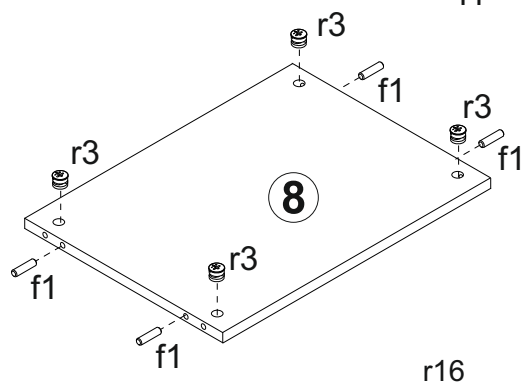
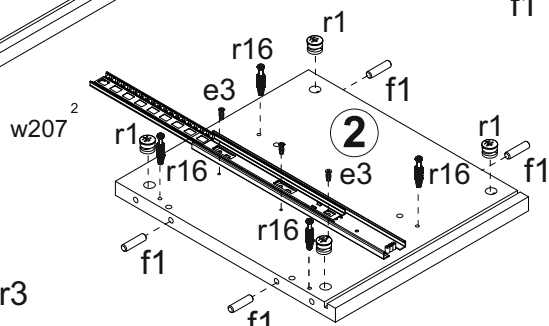
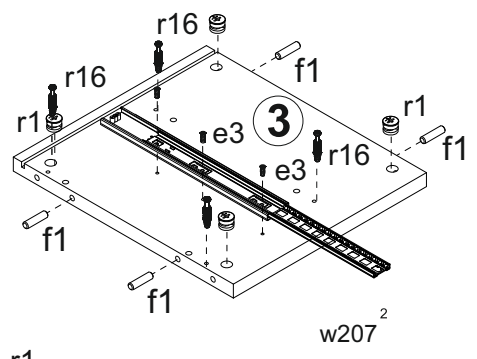
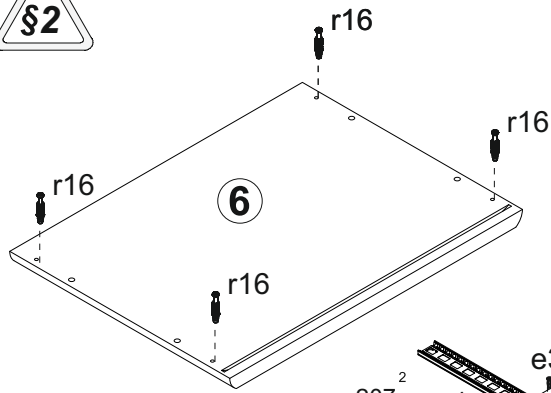


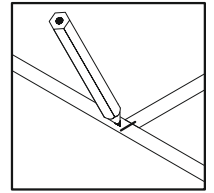
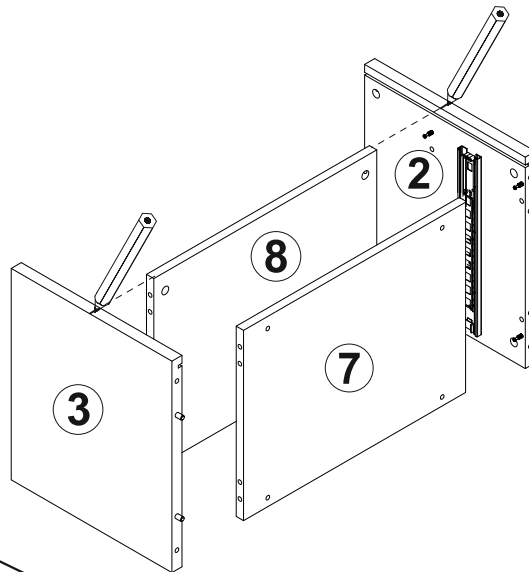
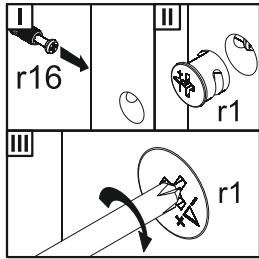
A	B	C		D					
1	BK1-012	481	200	1/1	7	BK1-312	487	360	1/1
2	BK1-115	351	400	1/1	8	BK1-313	487	360	1/1
3	BK1-116	351	400	1/1	9	BK1-554	350	160	1/1
4	BK1-204	120	400	1/1	10	BK1-555	350	160	1/1
5	BK1-205	120	400	1/1	11	BK1-557	429	160	1/1
6	BK1-211	532	400	1/1	12	BK1-913	444	349	1/1
					13	BK1-914	501	356	1/1



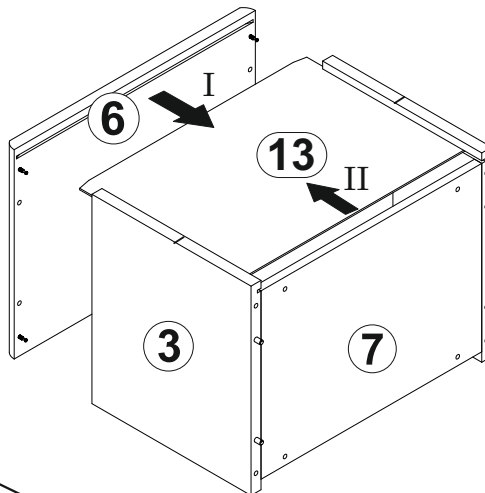
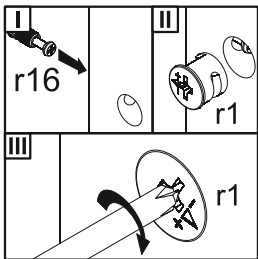
1



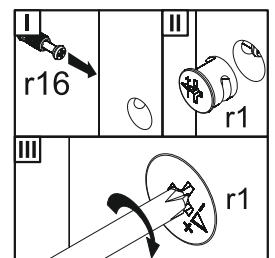
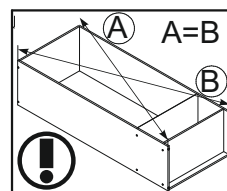
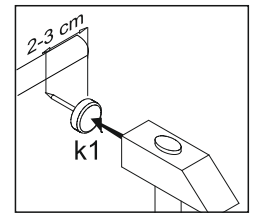
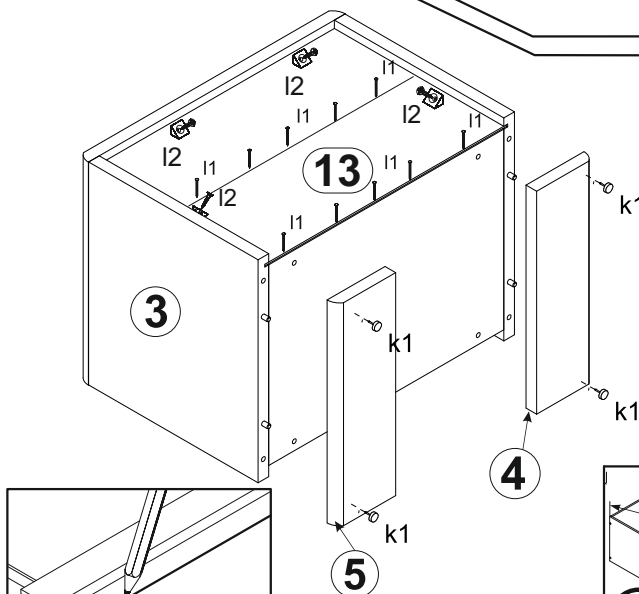
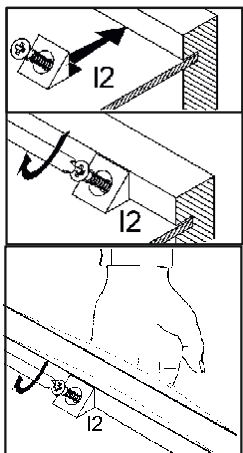
2



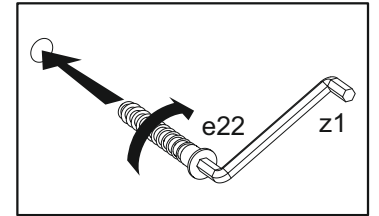
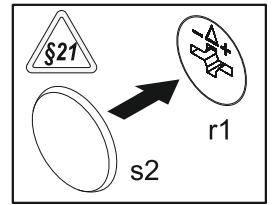
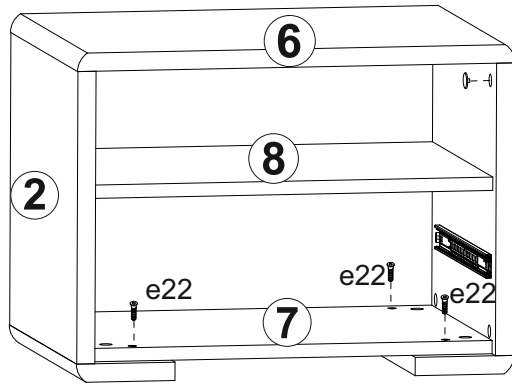
3



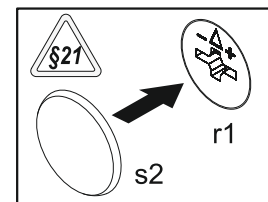
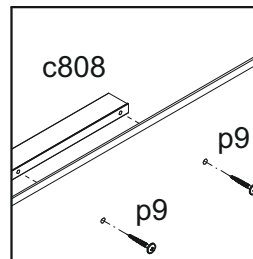
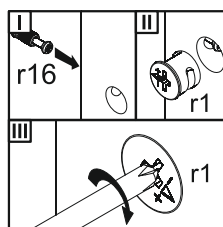
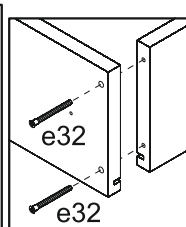
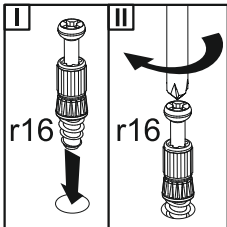
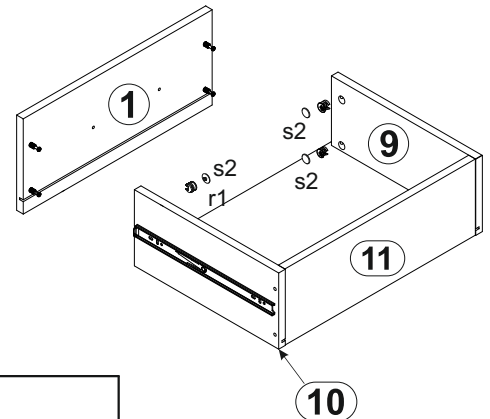
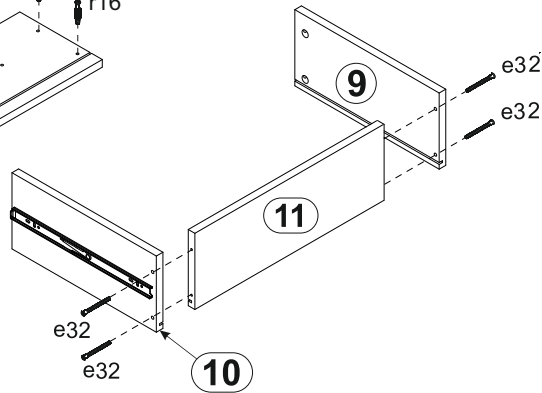
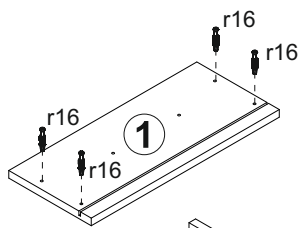
4



5



6



7

