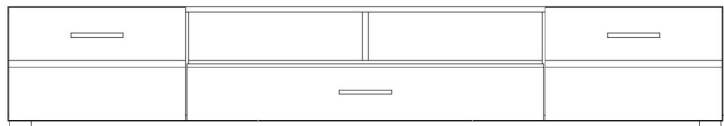
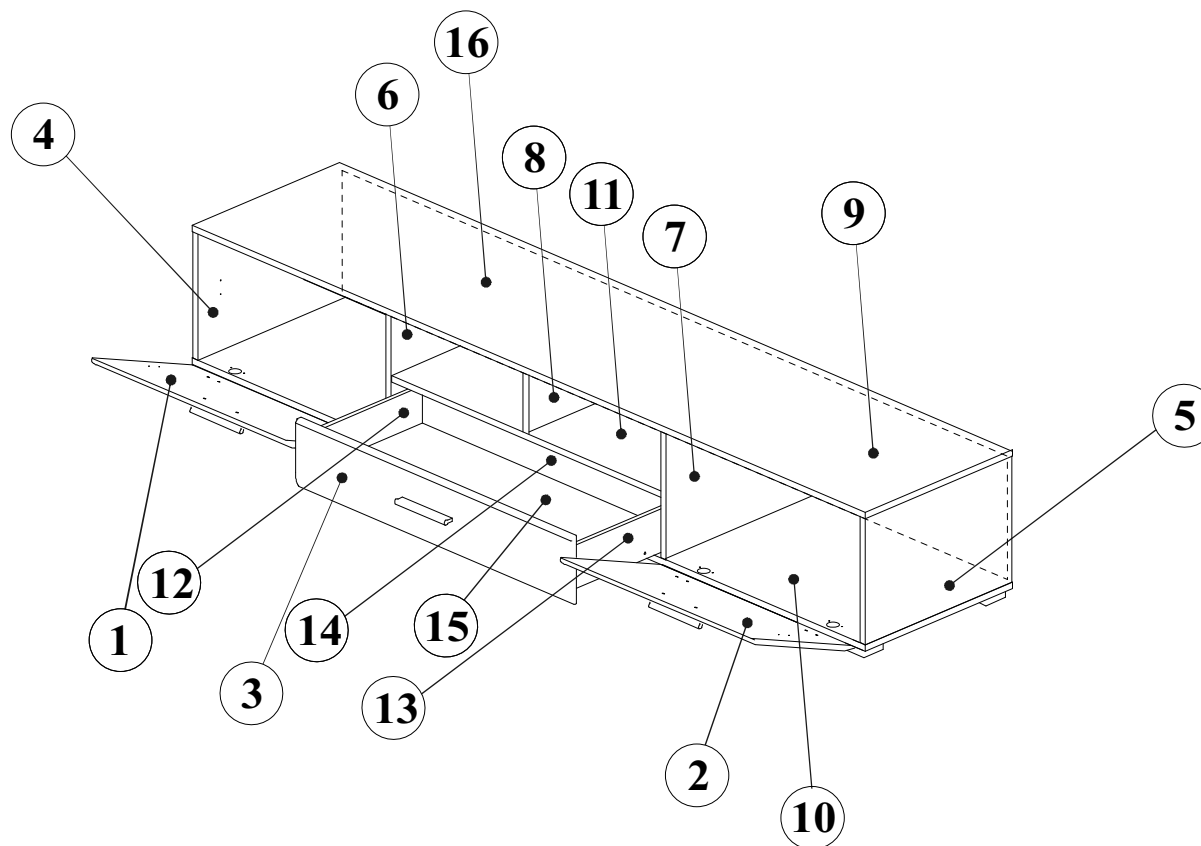


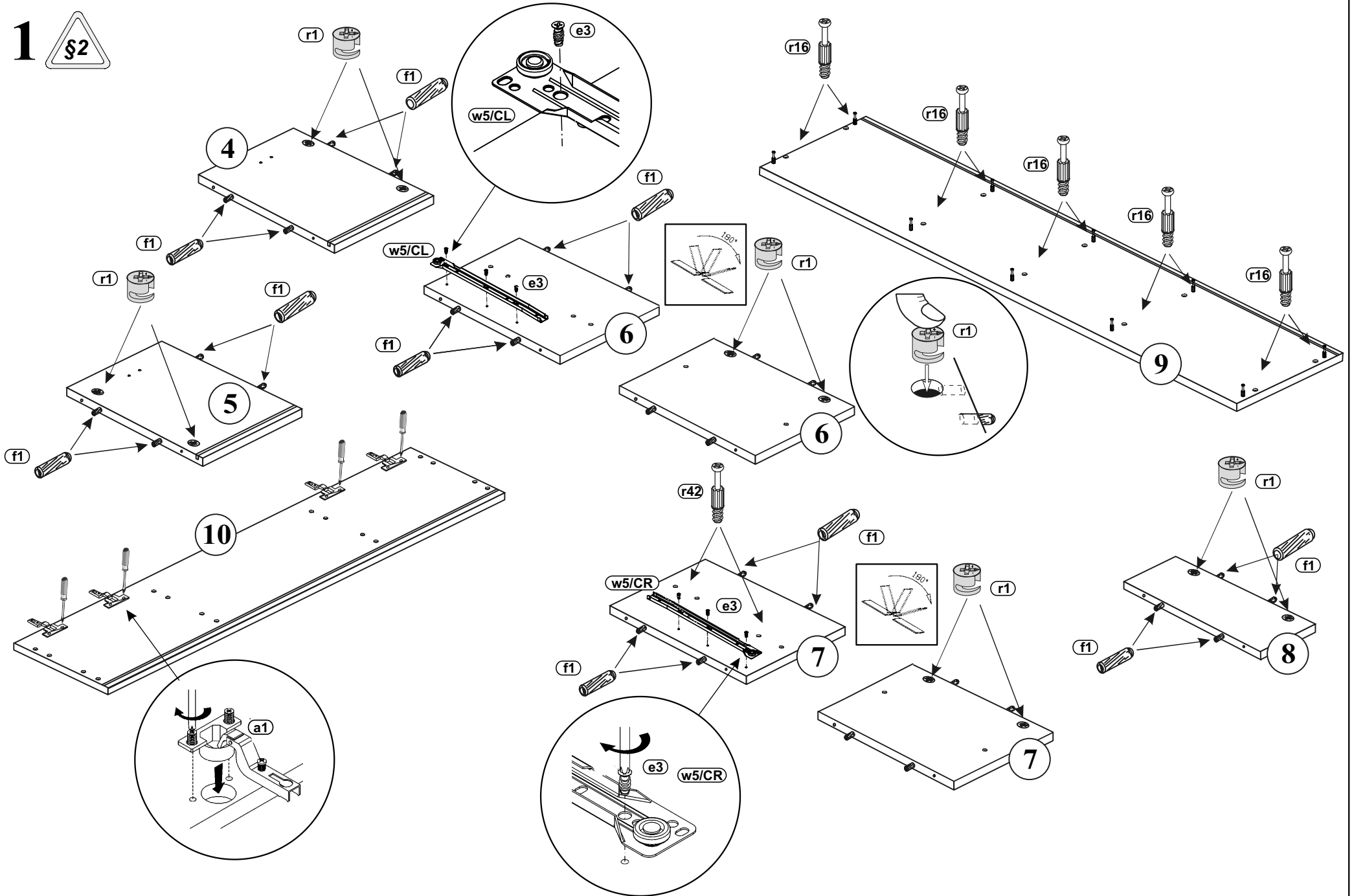
cm 0 1 2 3 4 5 6 7 8 9 10										4x K16 	8x K0 	4x 	8x D5 	7x 	16x
16x 	34x 	2x 	6x 	4x 	4x 	4x 	4x 	52x 	2x 	11x MEBEX 					
28x 	2x L-236 	4x 	1x 81x21x15mm 	5x 	4x 	16x 	2x silikon ø8x1,8mm 	4x 	1x 						
22x 	10x 	8x 	2x 	22x 	6x 	16x 	5x 	4x 	28x 	28x 					
28x ø16 	8x ø5 	1x 383 mm 	1x 400 mm 	1x 400 mm 	1x 400 mm 	1x 400 mm 	1x 		11x 						



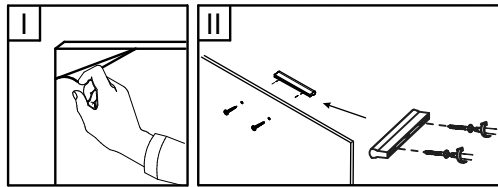
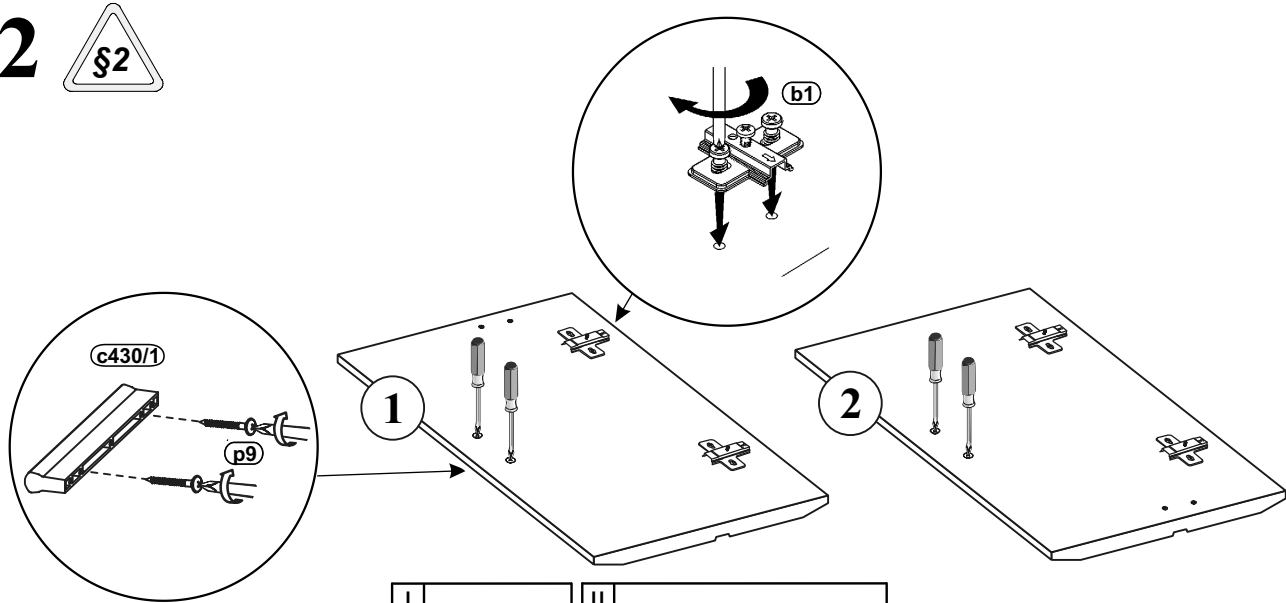
A	B	C (mm)		D
1	N25-001	498	311	1/5
2	N25-002	498	311	1/5
3	N25-003	991	156	1/5
4	N25-101	285	437	1/5
5	N25-102	285	437	1/5
6	N25-103	285	417	1/5
7	N25-104	285	417	1/5
8	N25-105	135	417	1/5
9	N25-201	2000	437	1/5
10	N25-202	2000	437	1/5
11	N25-301	979	417	1/5
12	N25-501	400	90	1/5
13	N25-502	400	90	1/5
14	N25-503-01	922	90	1/5
15	N25-901	932	400	1/5
16	N25-902	1977	295	1/5



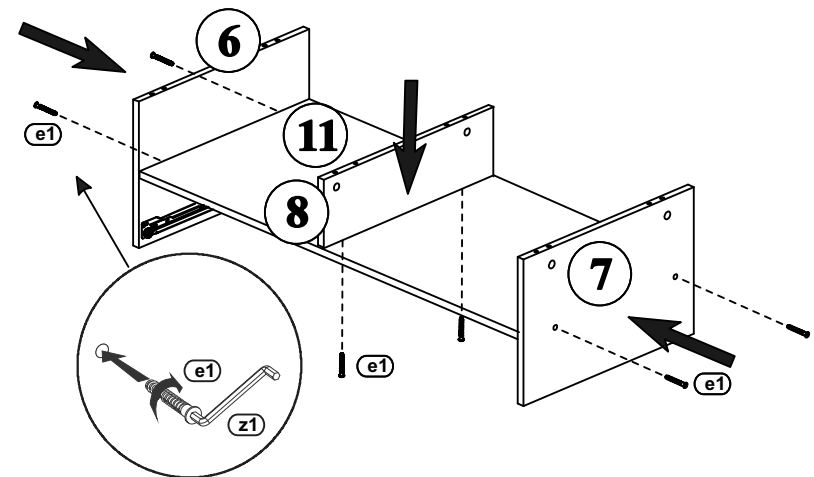
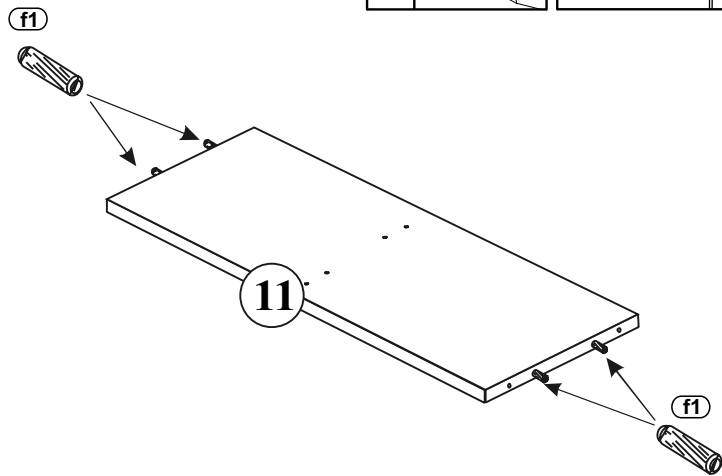
1 



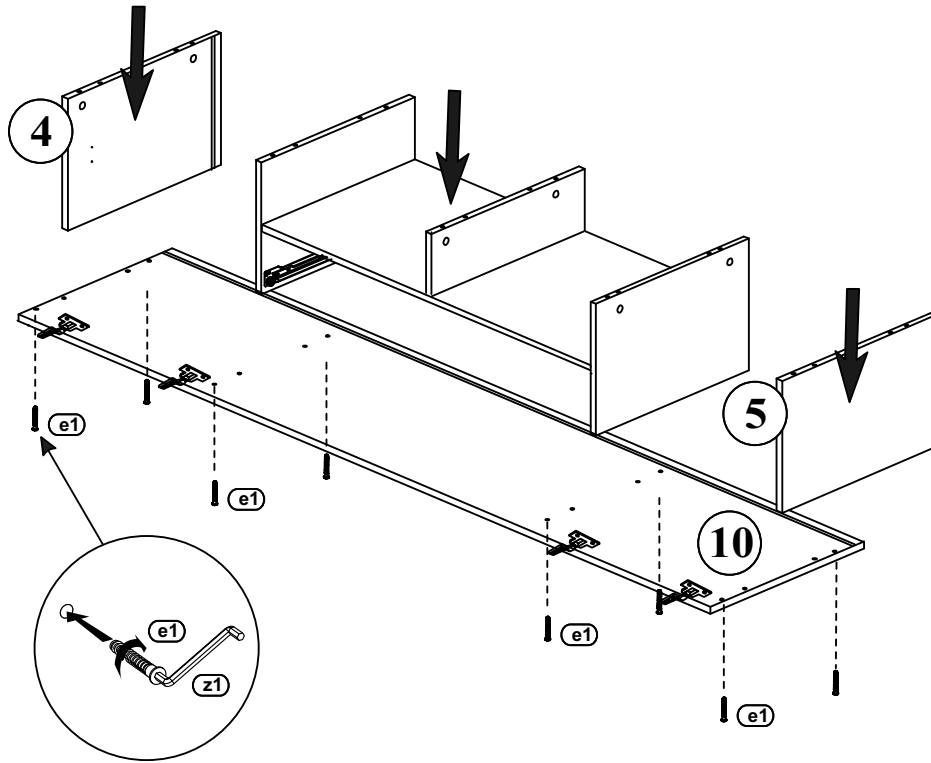
2 



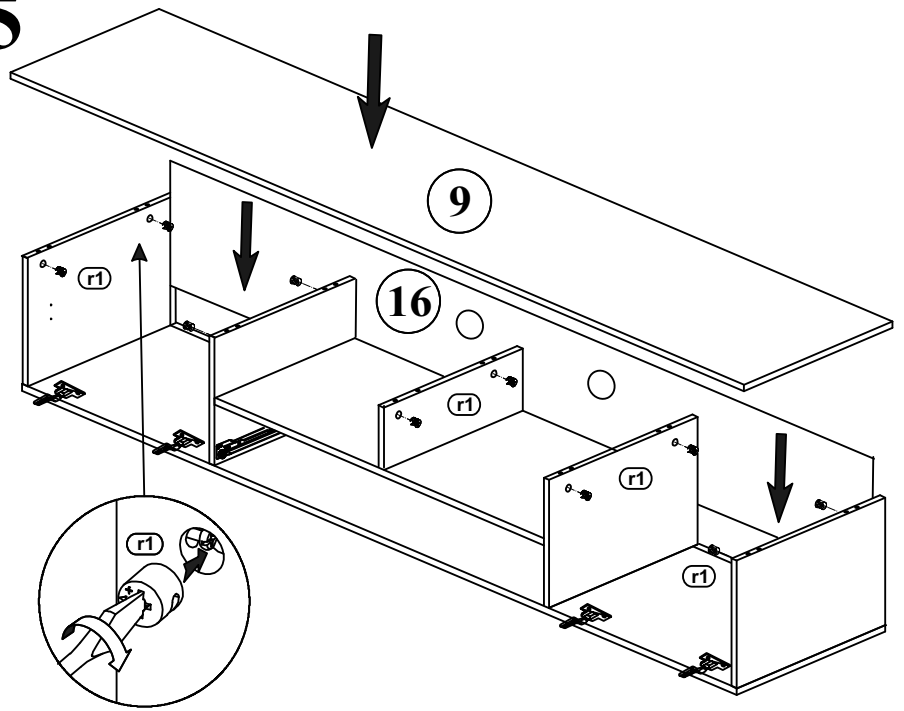
3 



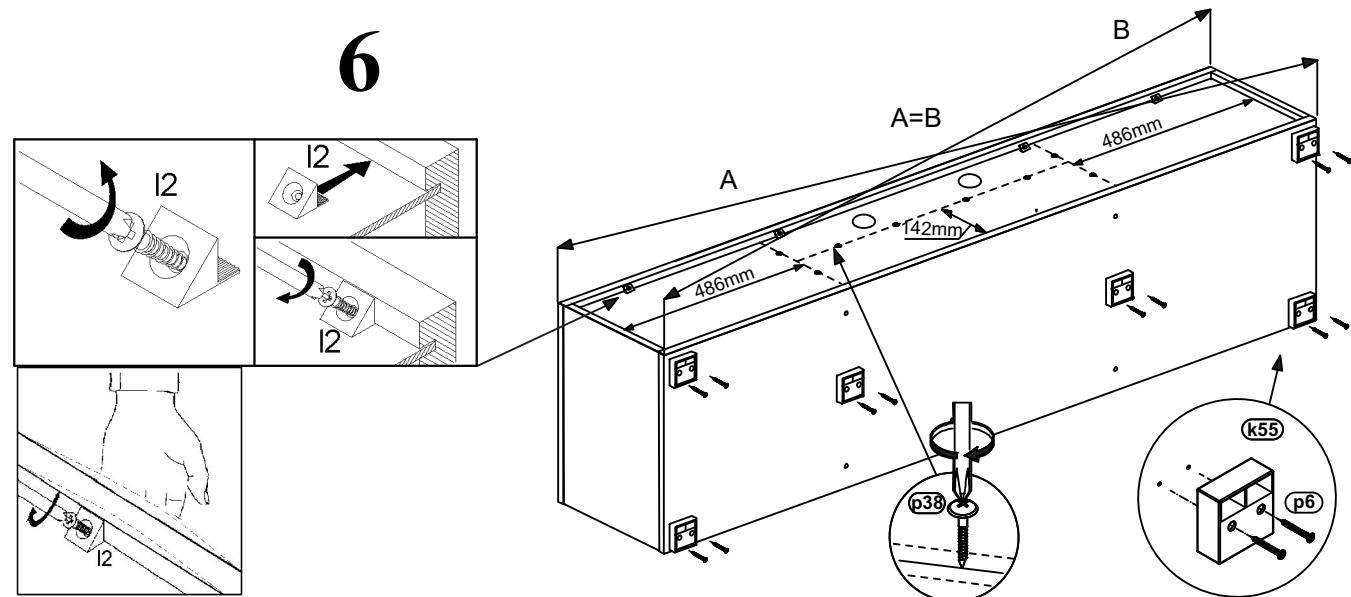
4

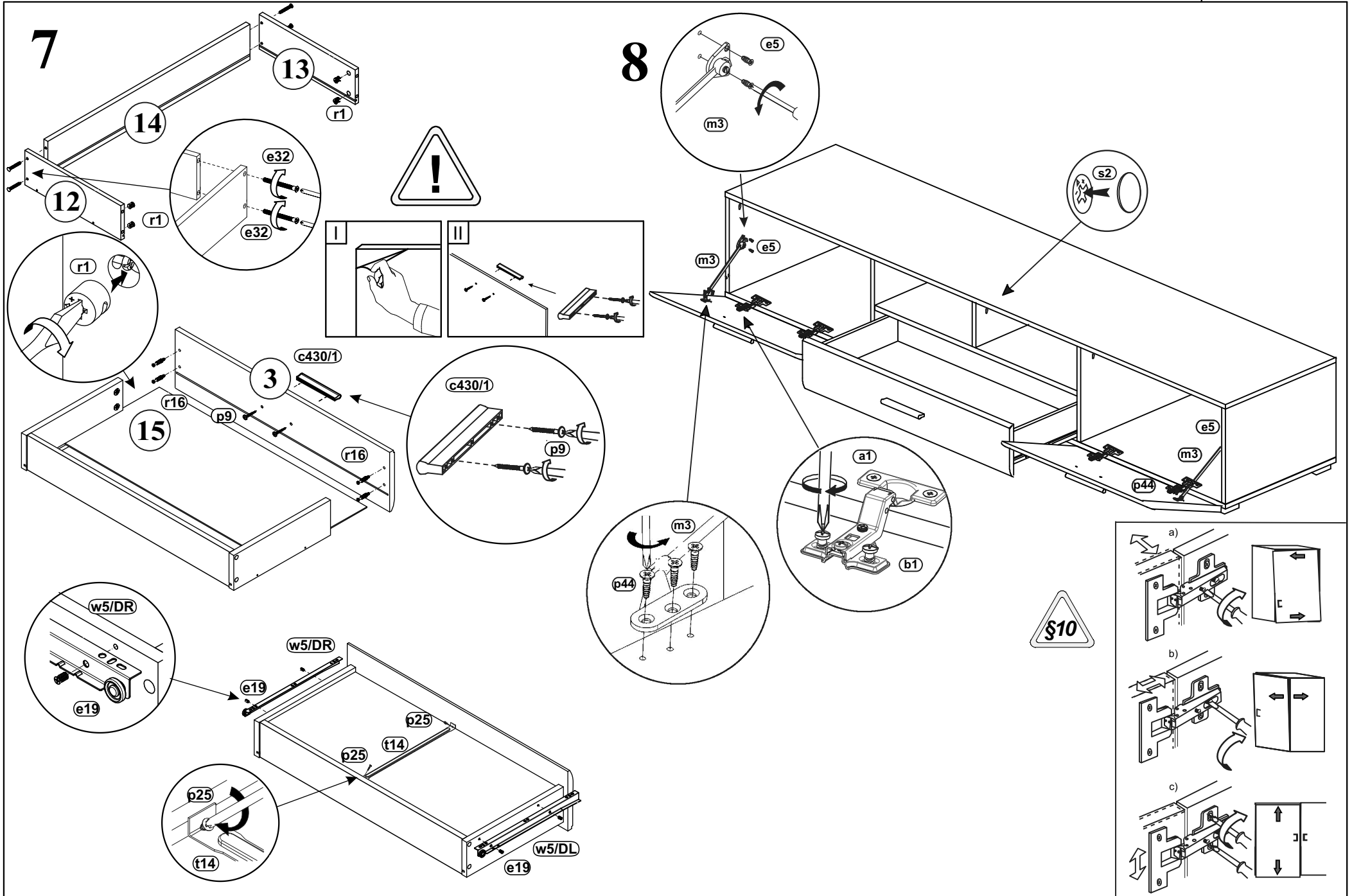


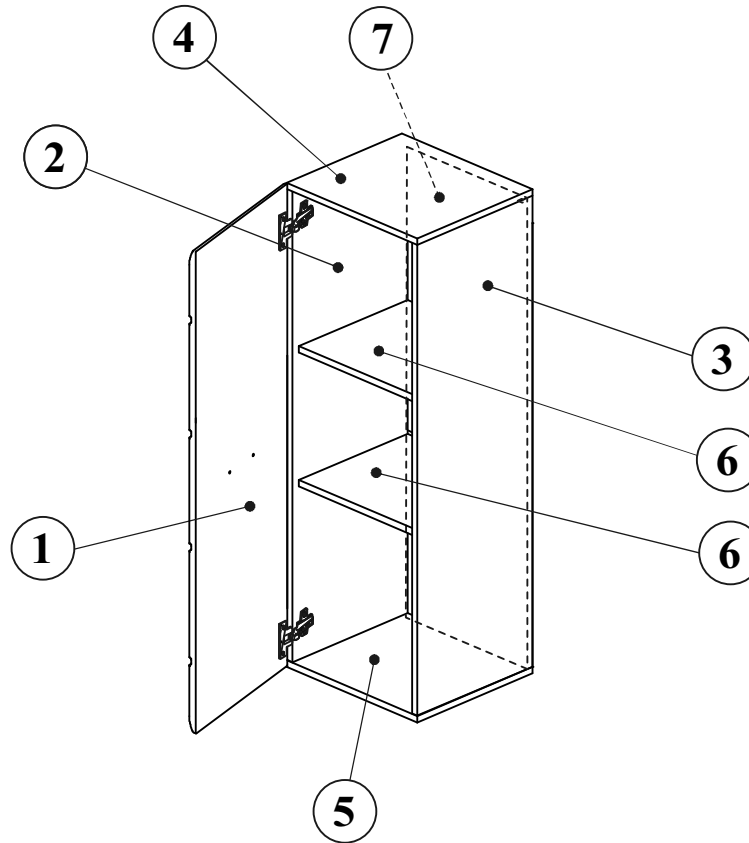
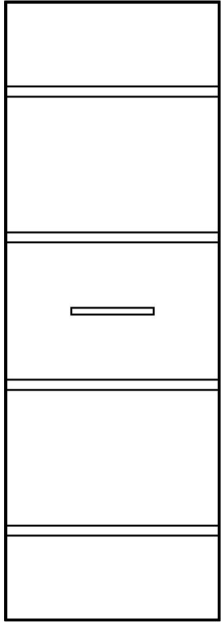
5



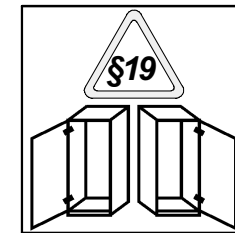
6





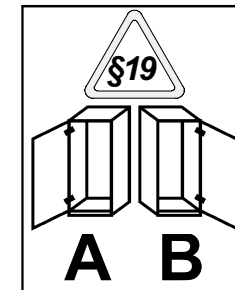
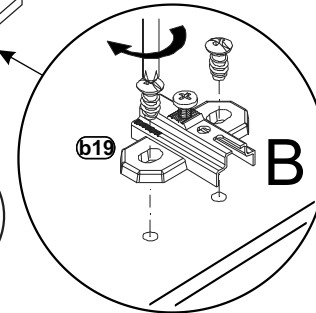
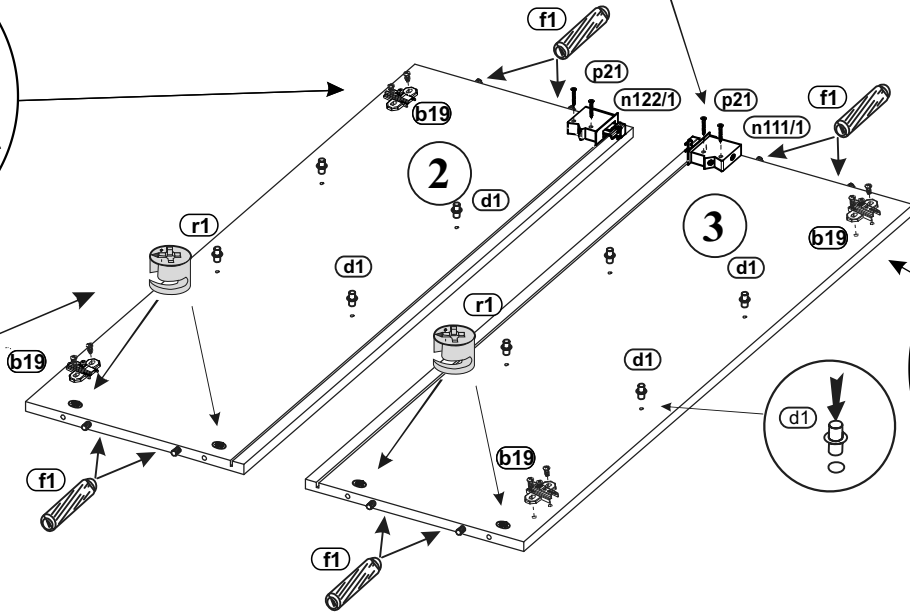
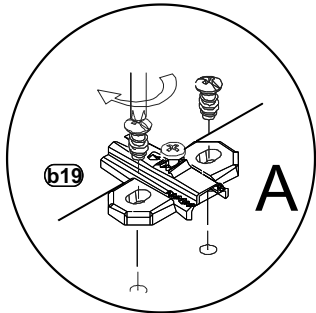
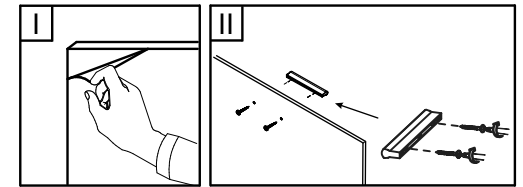
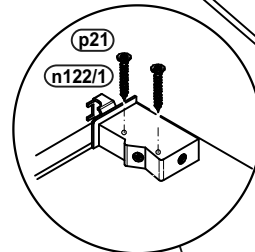
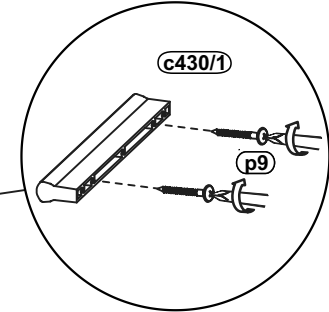
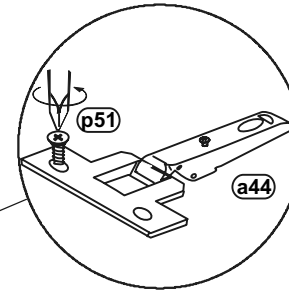
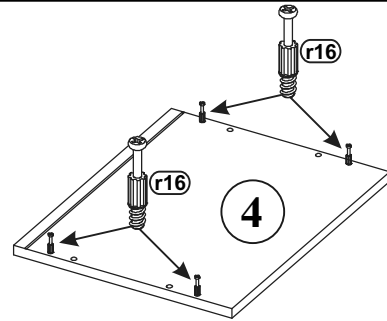


A	B	C (mm)		D
1	N25-004	1094	373	3/5
2	N25-111-01	1068	337	3/5
3	N25-112-01	1068	337	3/5
4	N25-203	380	337	3/5
5	N25-204	380	337	3/5
6	N25-303	347	312	3/5
7	N25-906-01	1078	357	3/5

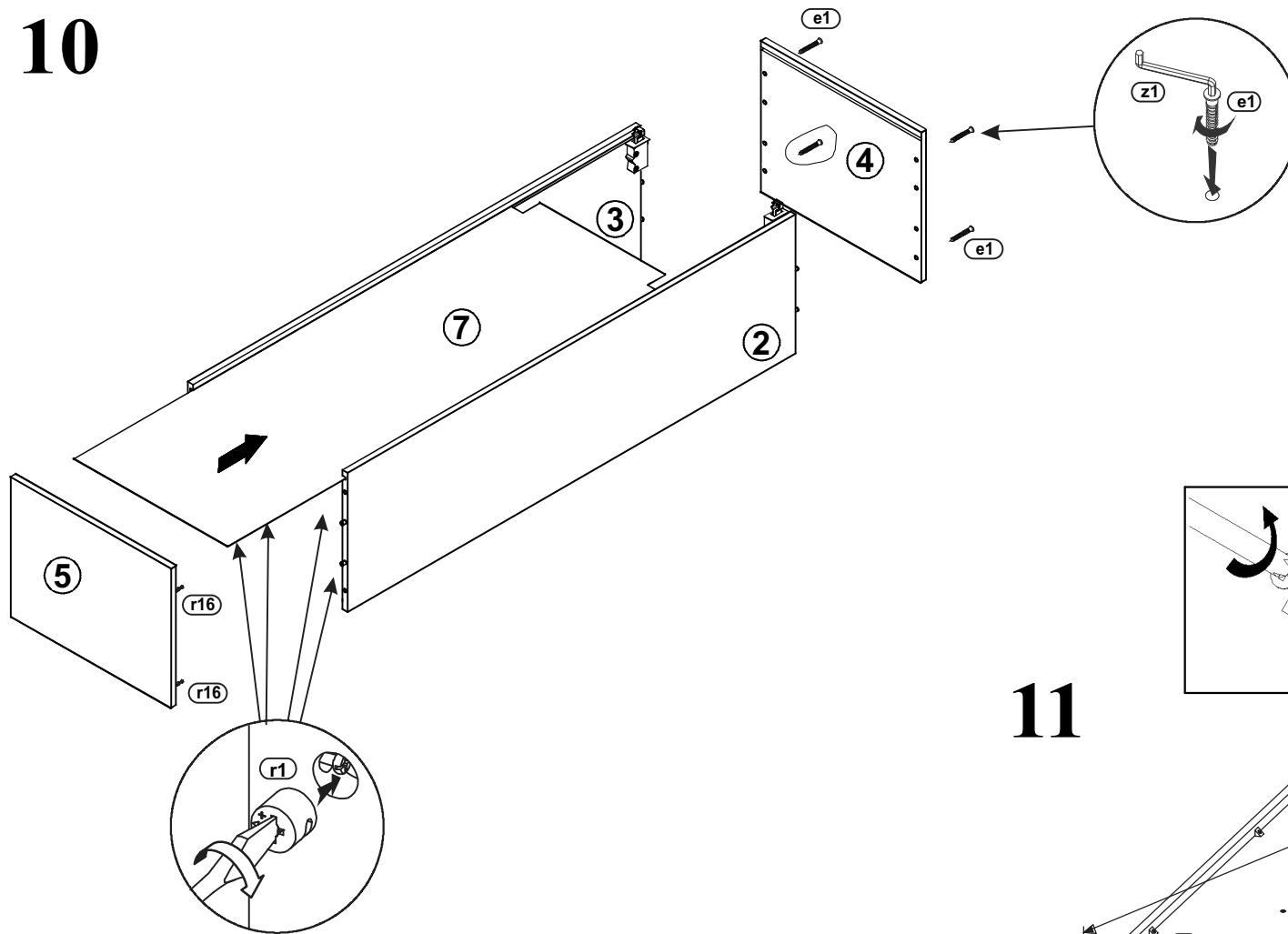


C

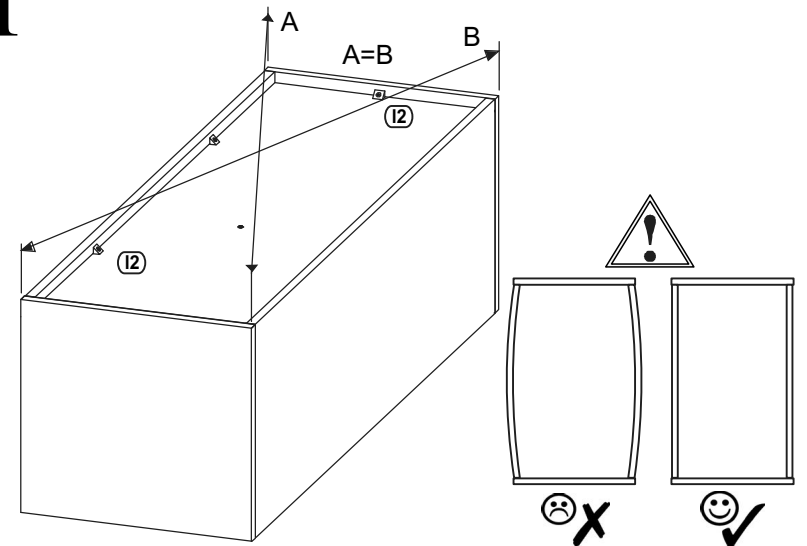
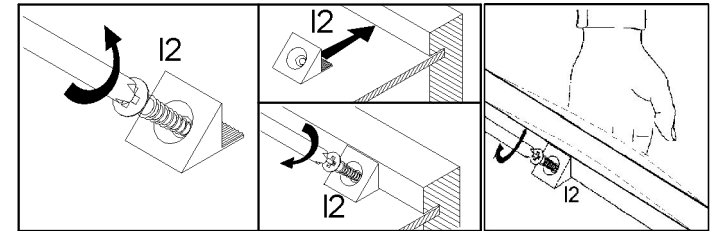
9



10



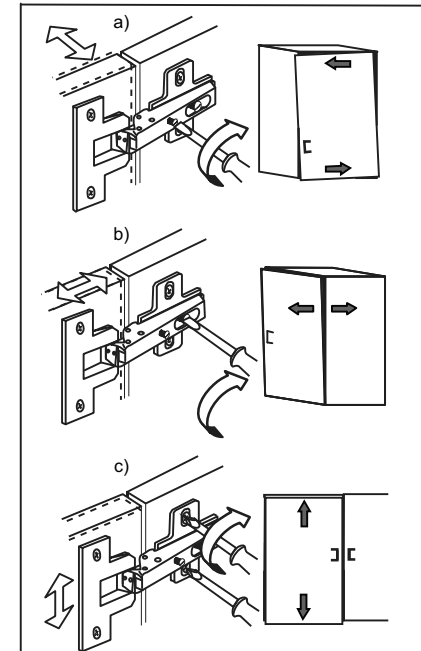
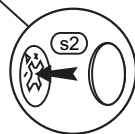
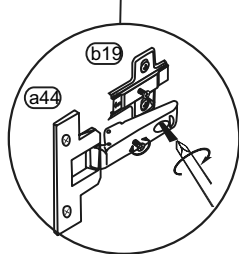
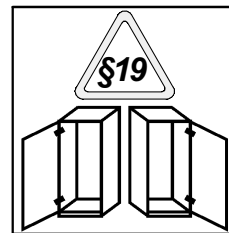
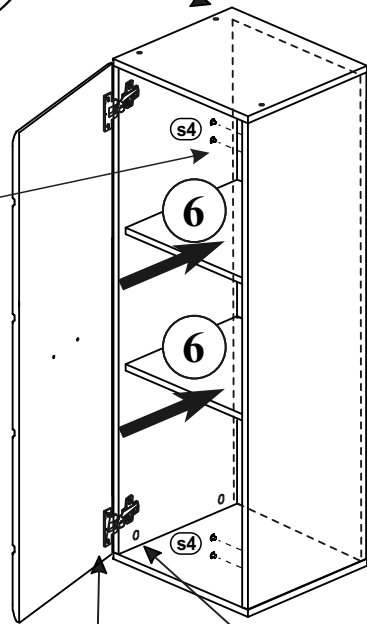
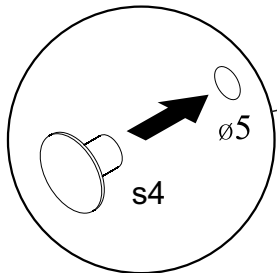
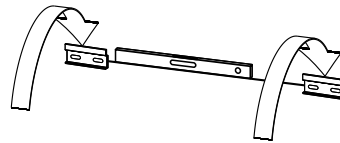
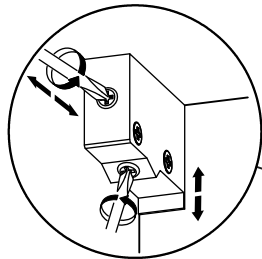
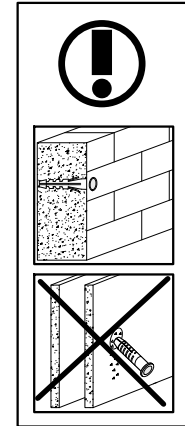
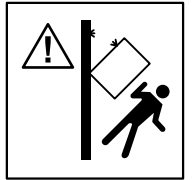
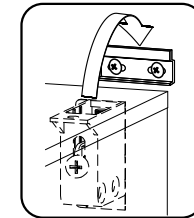
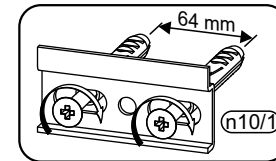
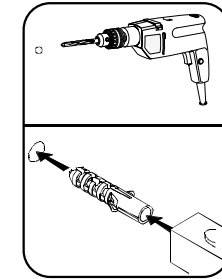
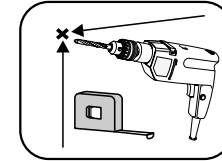
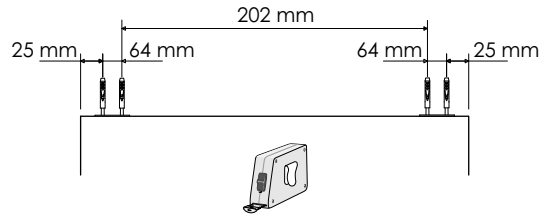
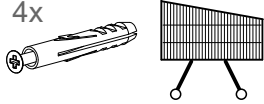
11

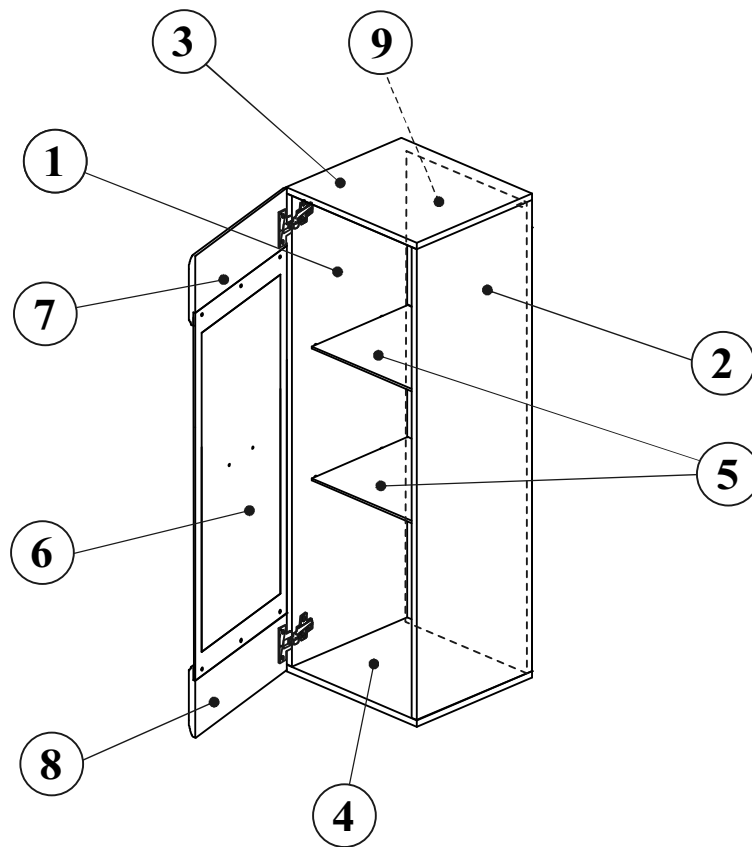
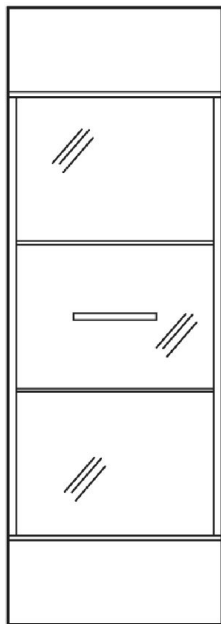


12

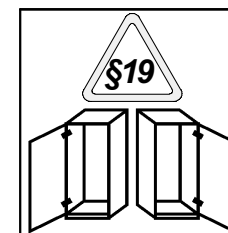


4x



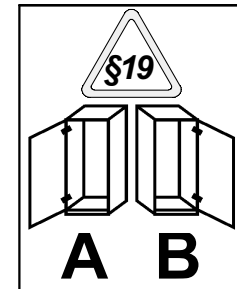
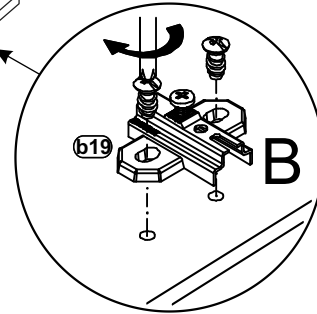
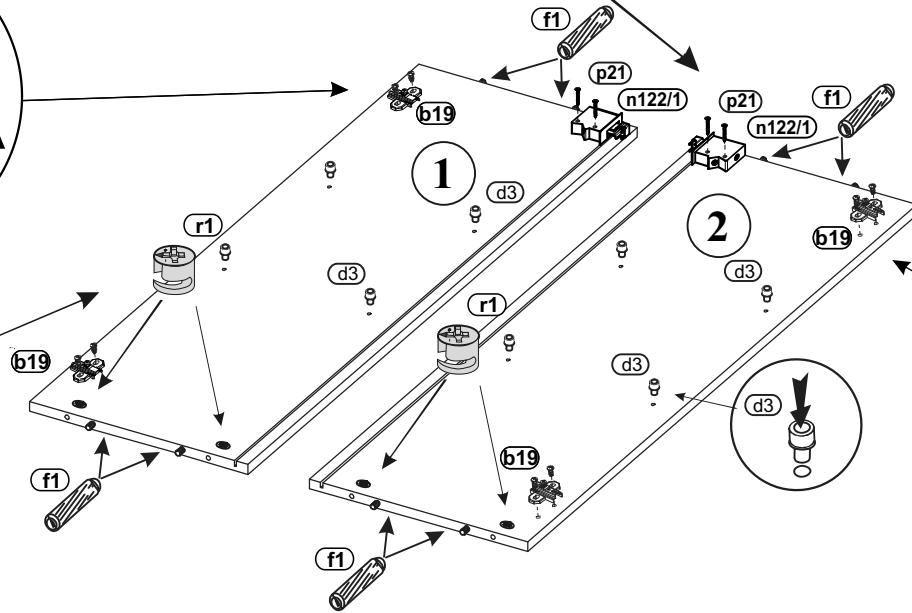
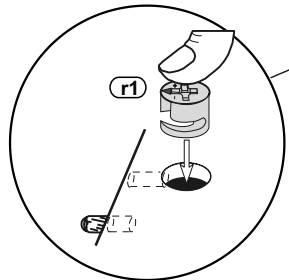
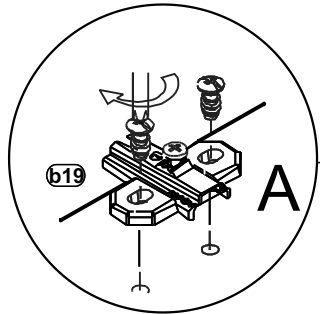
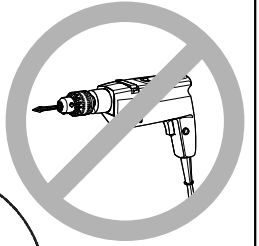
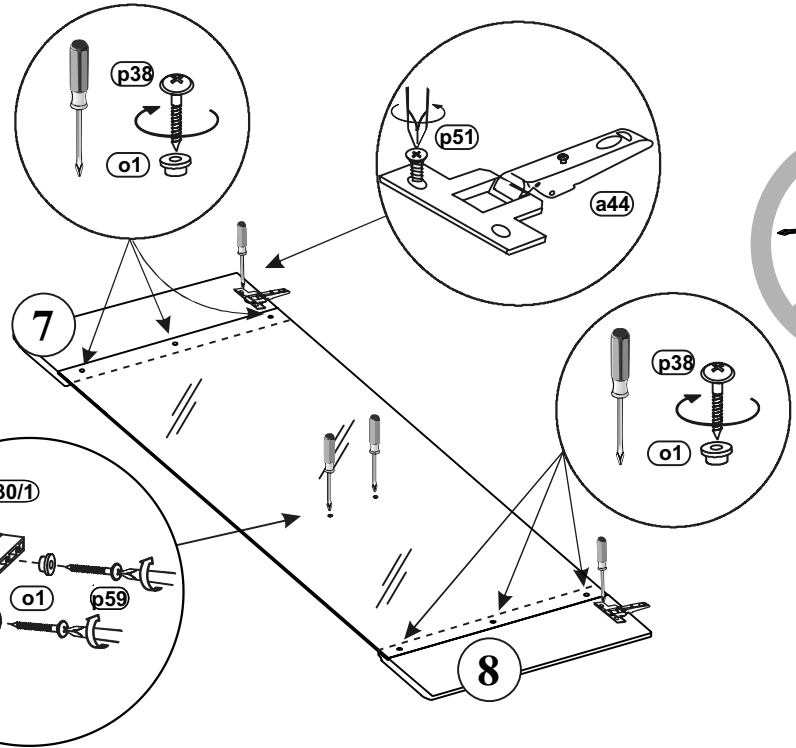
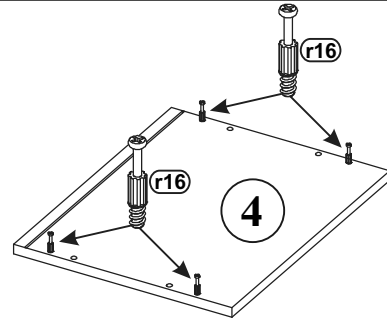


A	B	C (mm)		D
1	N25-106-01	1068	337	4/5
2	N25-107-01	1068	337	4/5
3	N25-203	380	337	4/5
4	N25-204	380	337	4/5
5	N25-504	346	292	4/5
6	N25-505	842	372	4/5
7	N25-701	156	373	4/5
8	N25-702	156	373	4/5
9	N25-903-01	1078	357	4/5

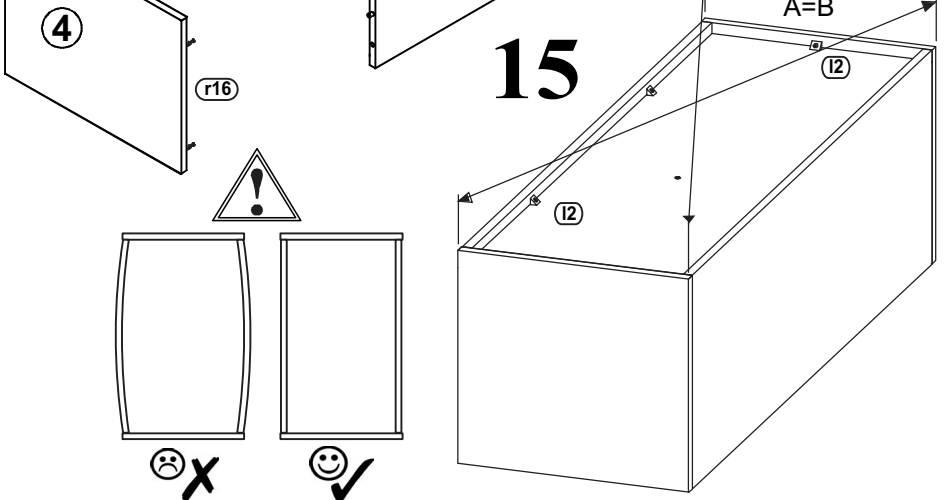
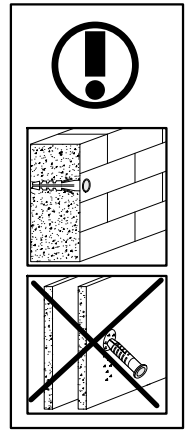
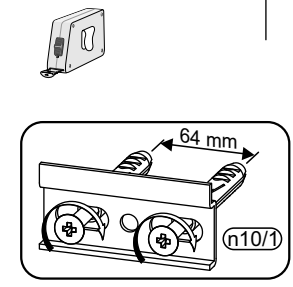
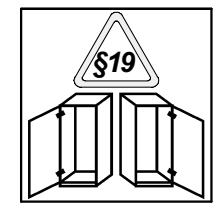
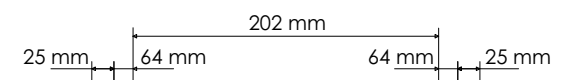
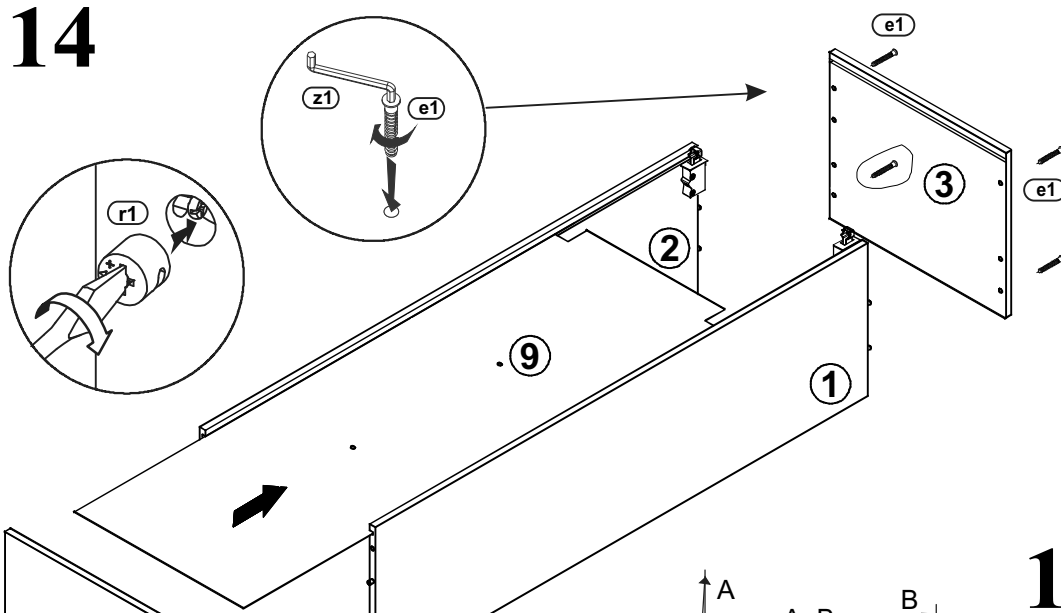


E

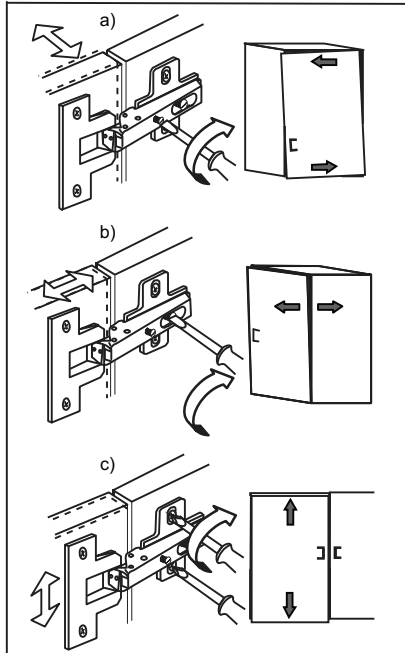
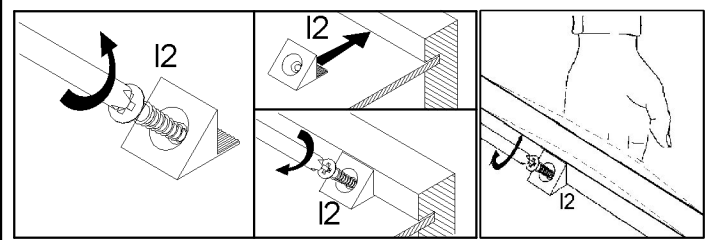
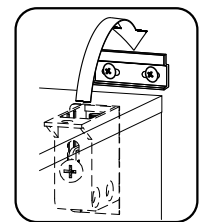
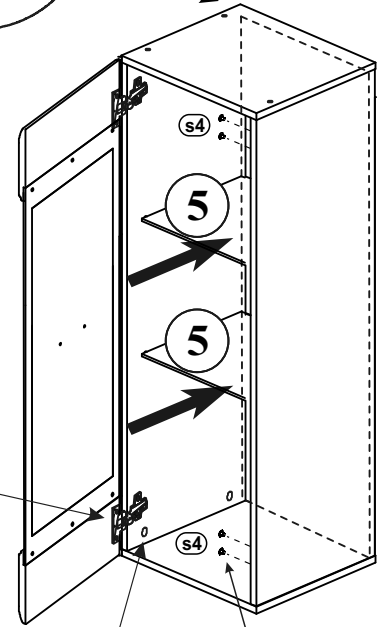
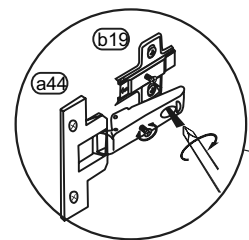
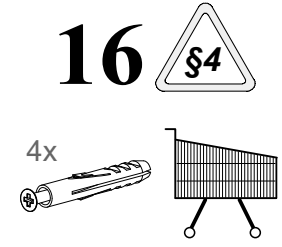
13



14

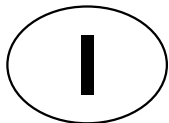
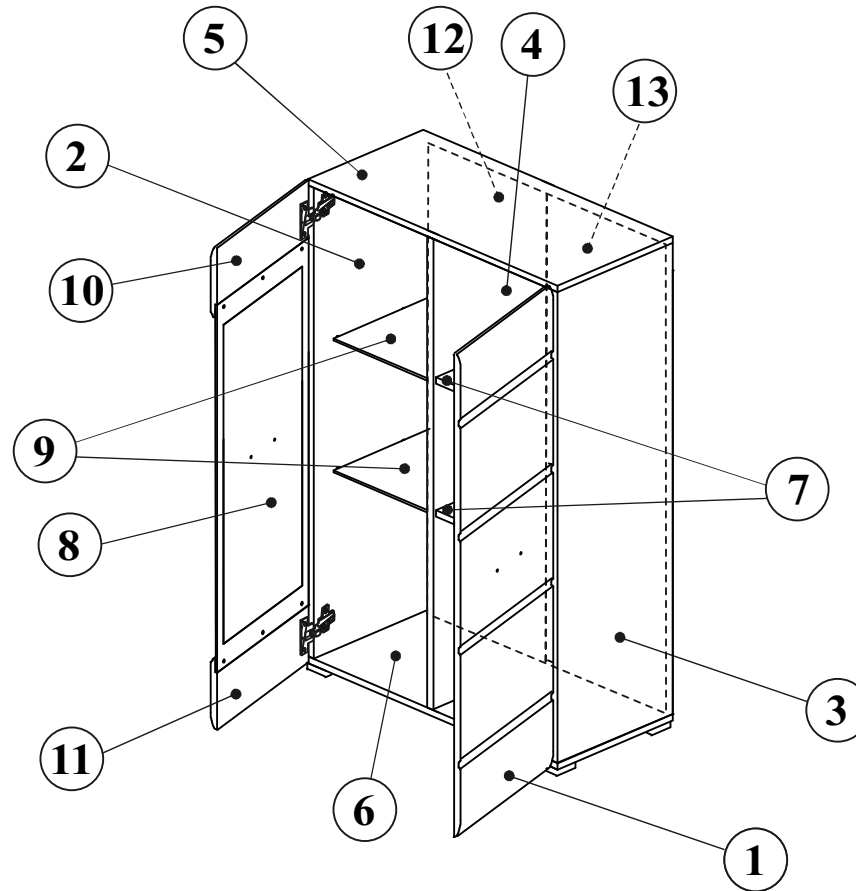
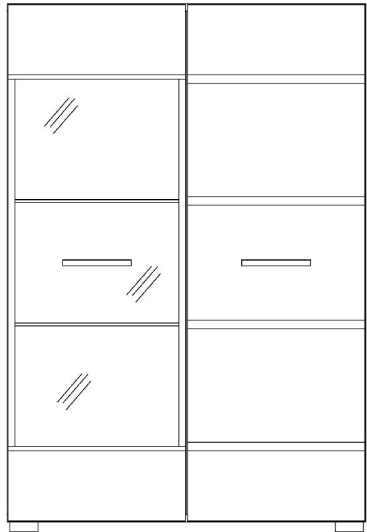


16

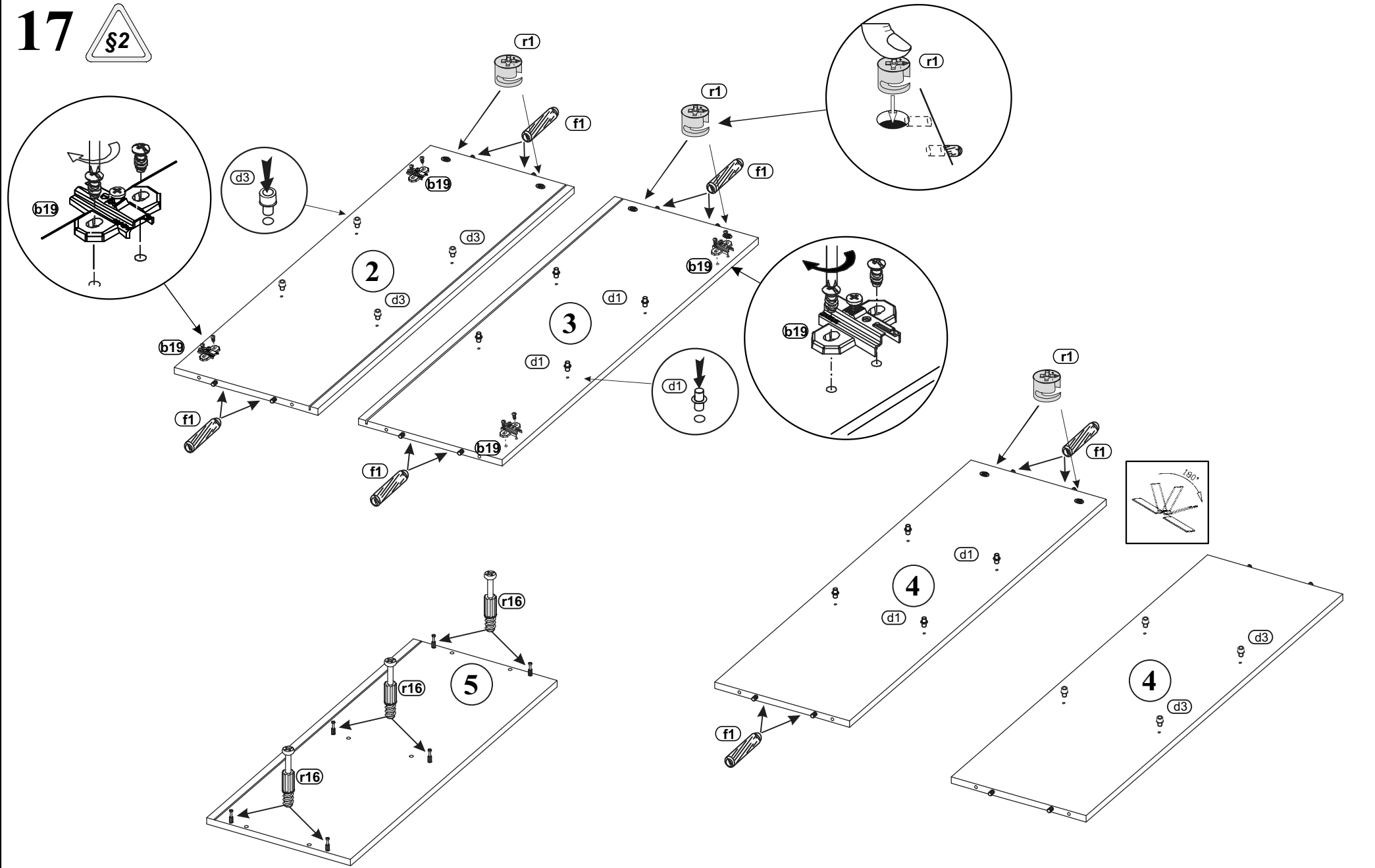




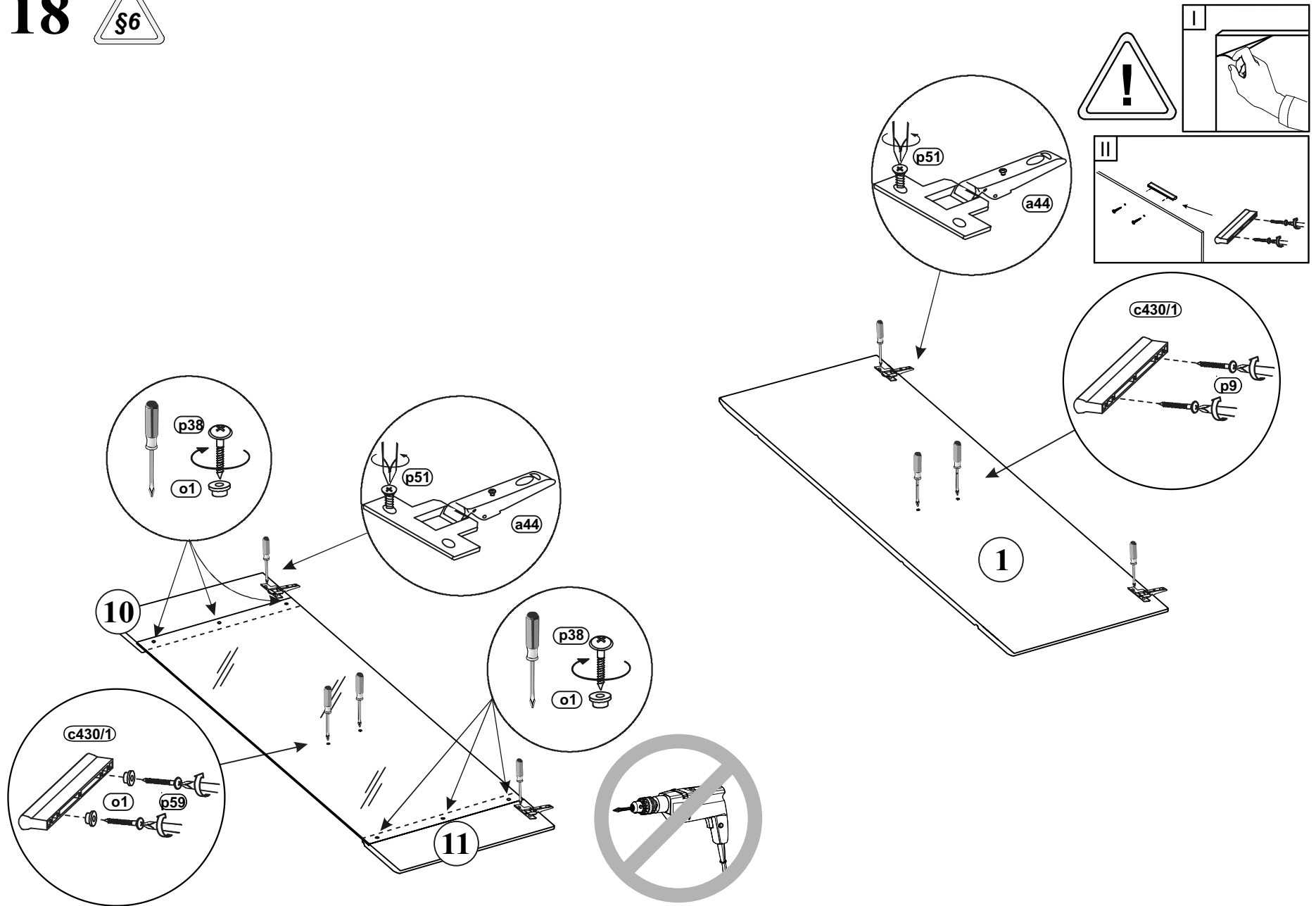
A	B	C (mm)		D
1	N25-004	1094	373	2/5
2	N25-108	1068	337	2/5
3	N25-109	1068	337	2/5
4	N25-110	1068	317	2/5
5	N25-205	756	337	2/5
6	N25-206	756	337	2/5
7	N25-302	354	312	2/5
8	N25-505	842	372	2/5
9	N25-506	352	292	2/5
10	N25-701	156	373	2/5
11	N25-702	156	373	2/5
12	N25-904	1078	366	2/5
13	N25-905	1078	366	2/5

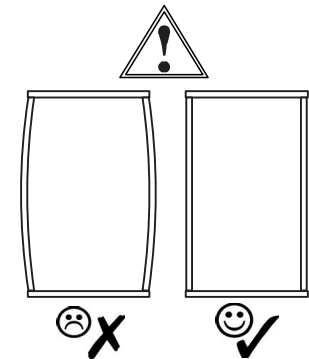
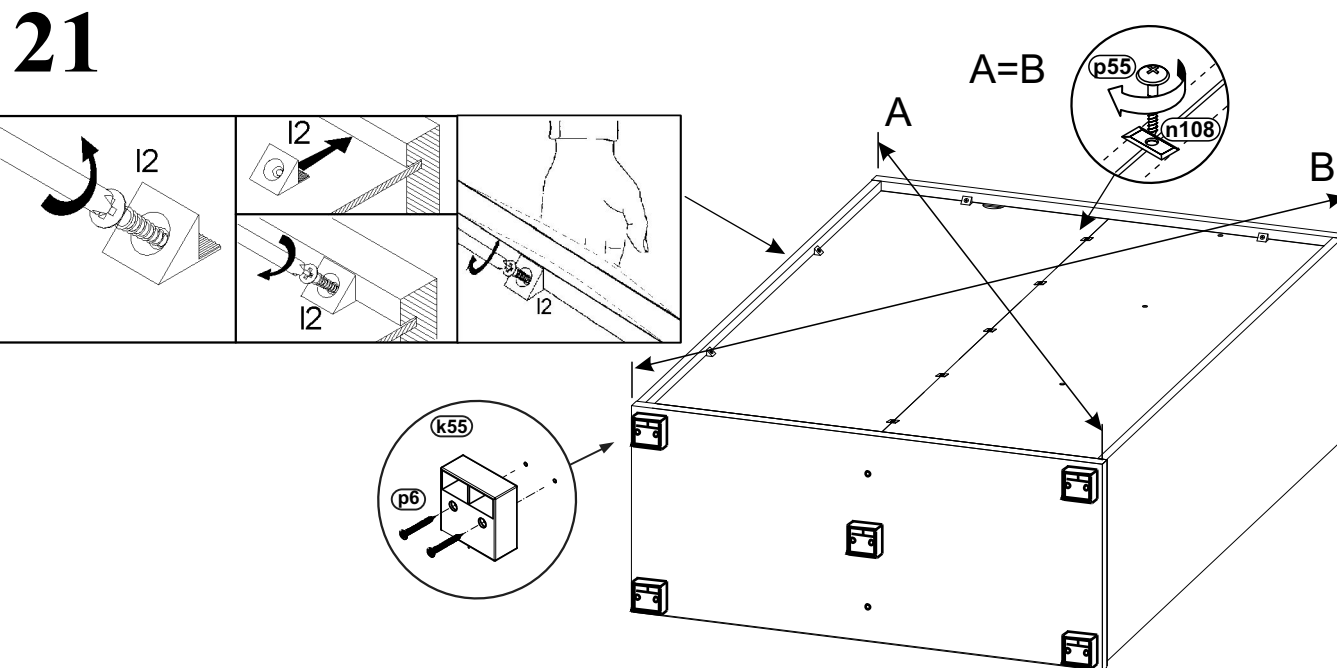
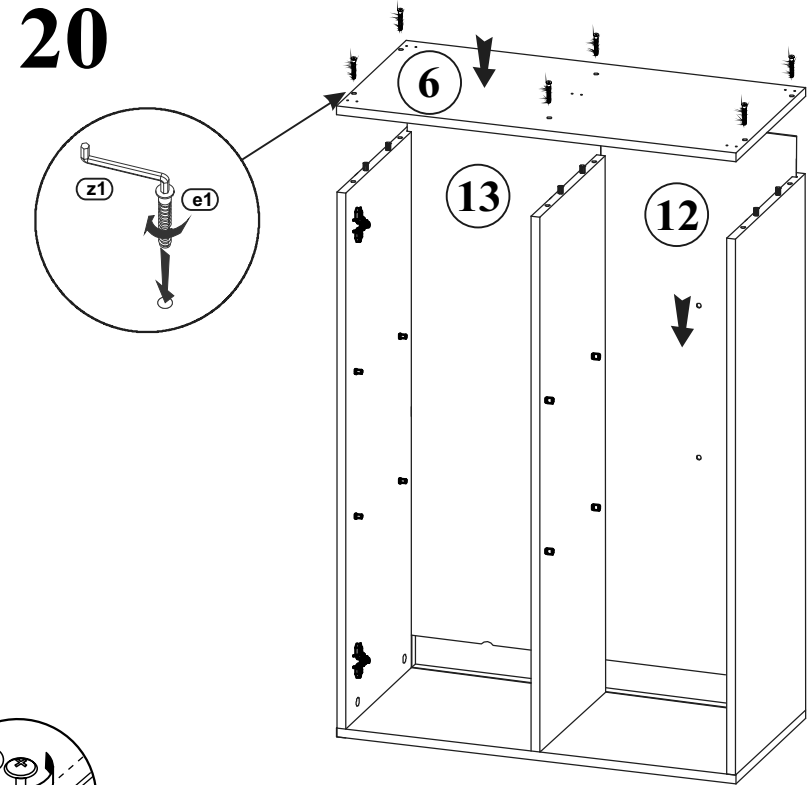
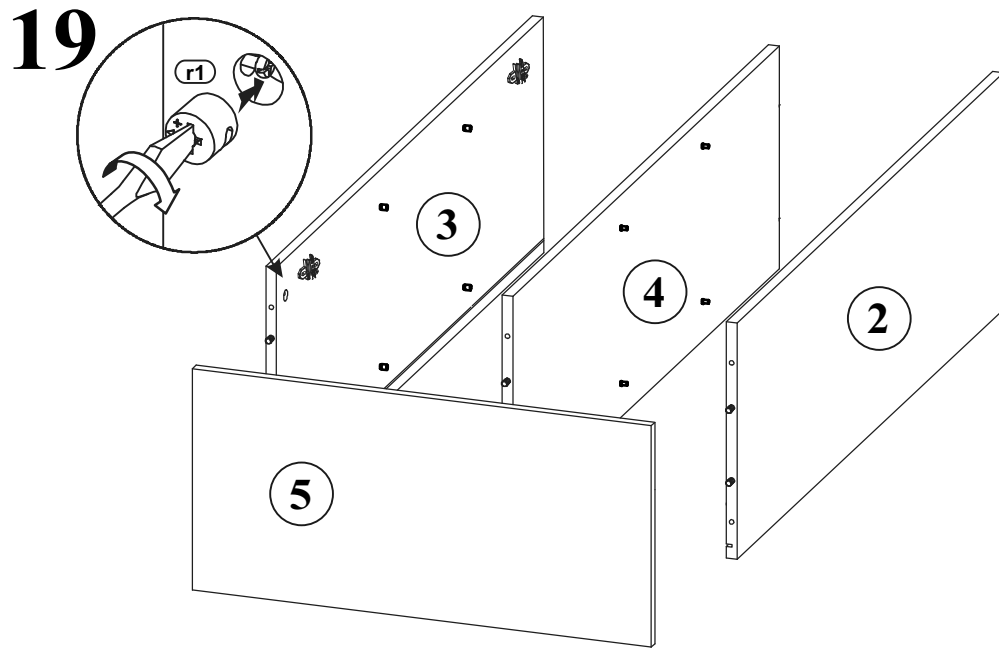


17



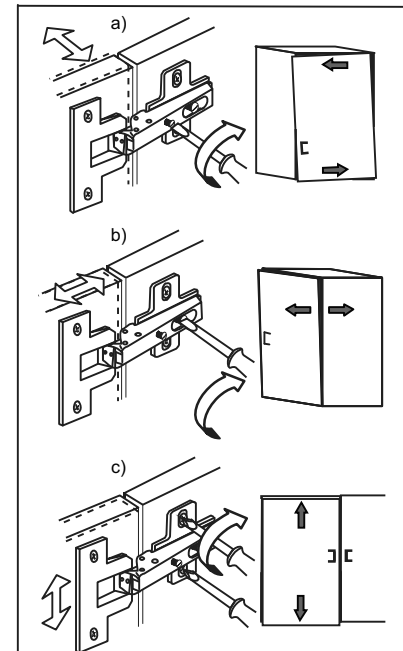
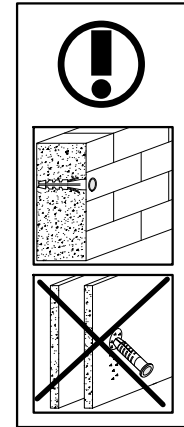
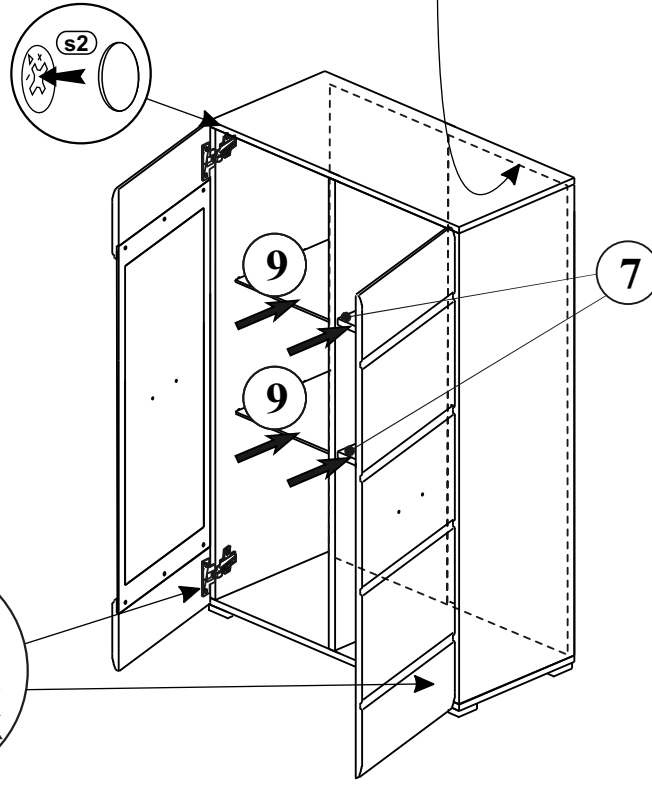
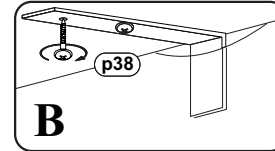
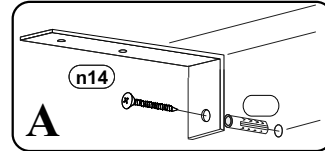
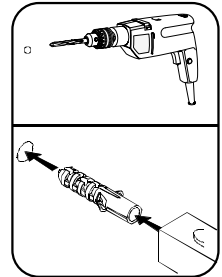
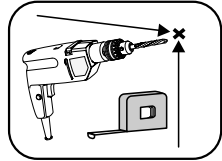
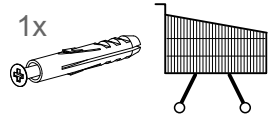
18

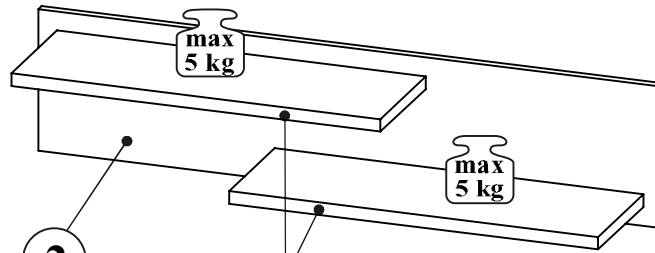
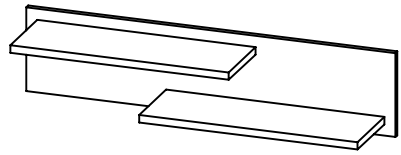




22

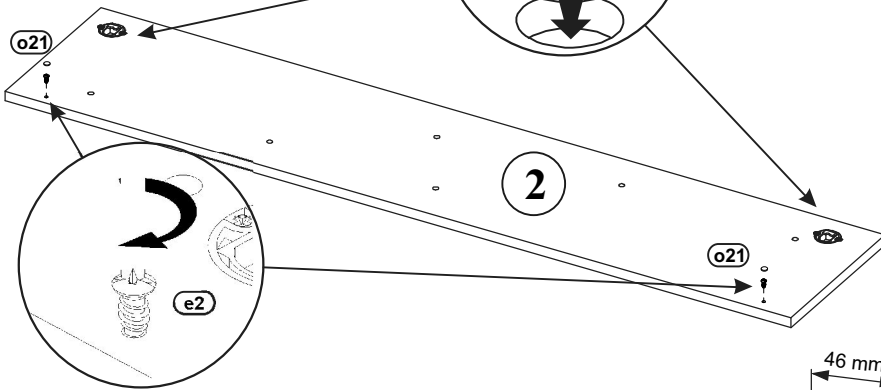
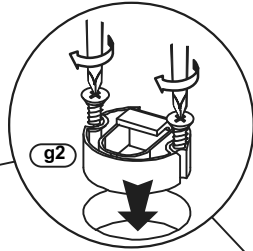
1x



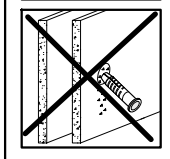
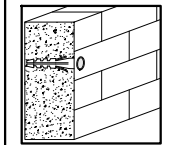
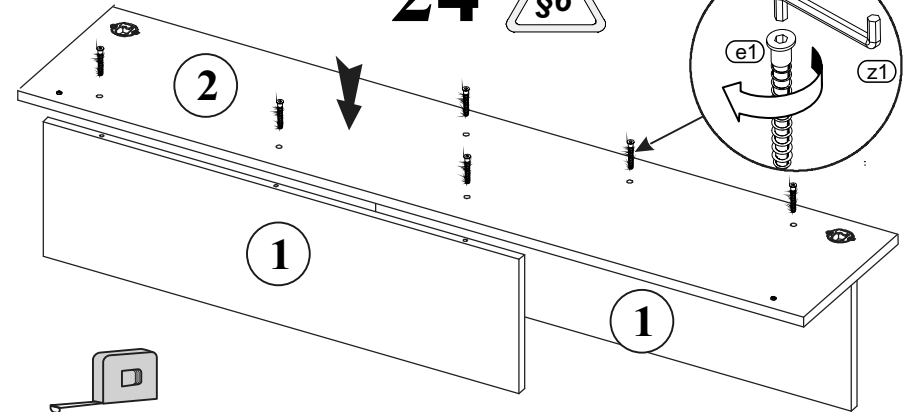


A	B	C (mm)		D
1	N20-304	650	219	5/5
2	N20-506	1100	250	5/5

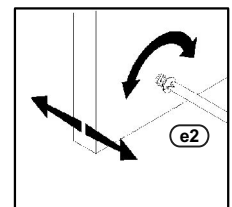
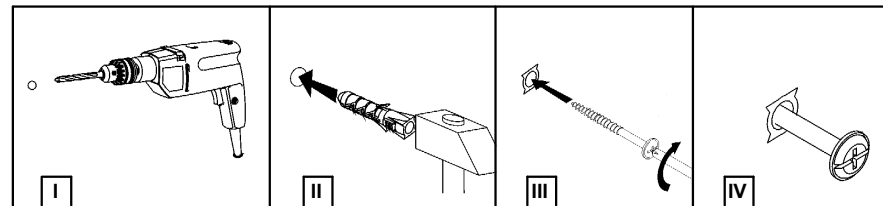
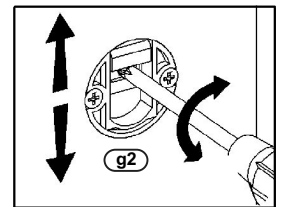
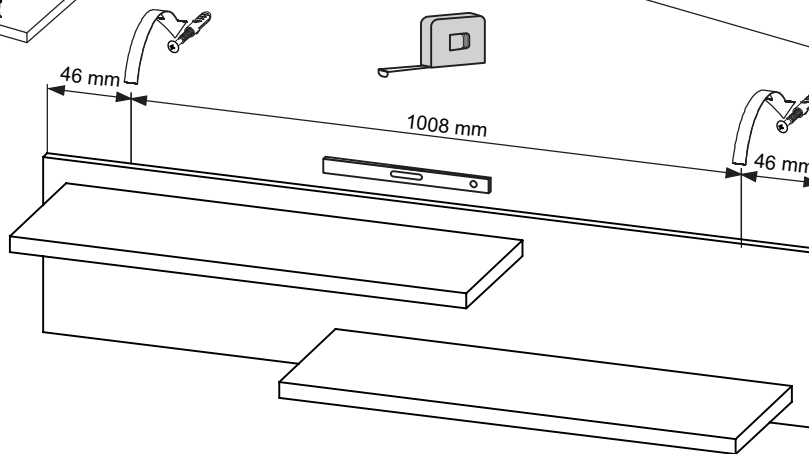
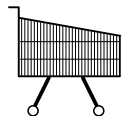
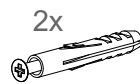
23



24



25



26

