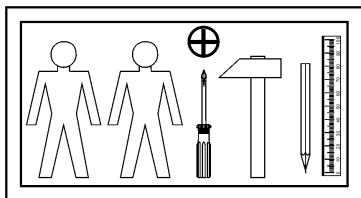
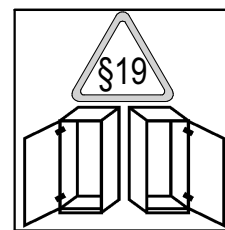
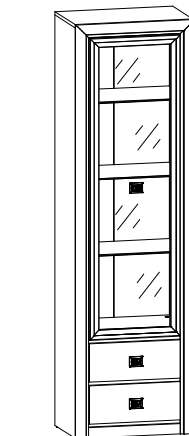
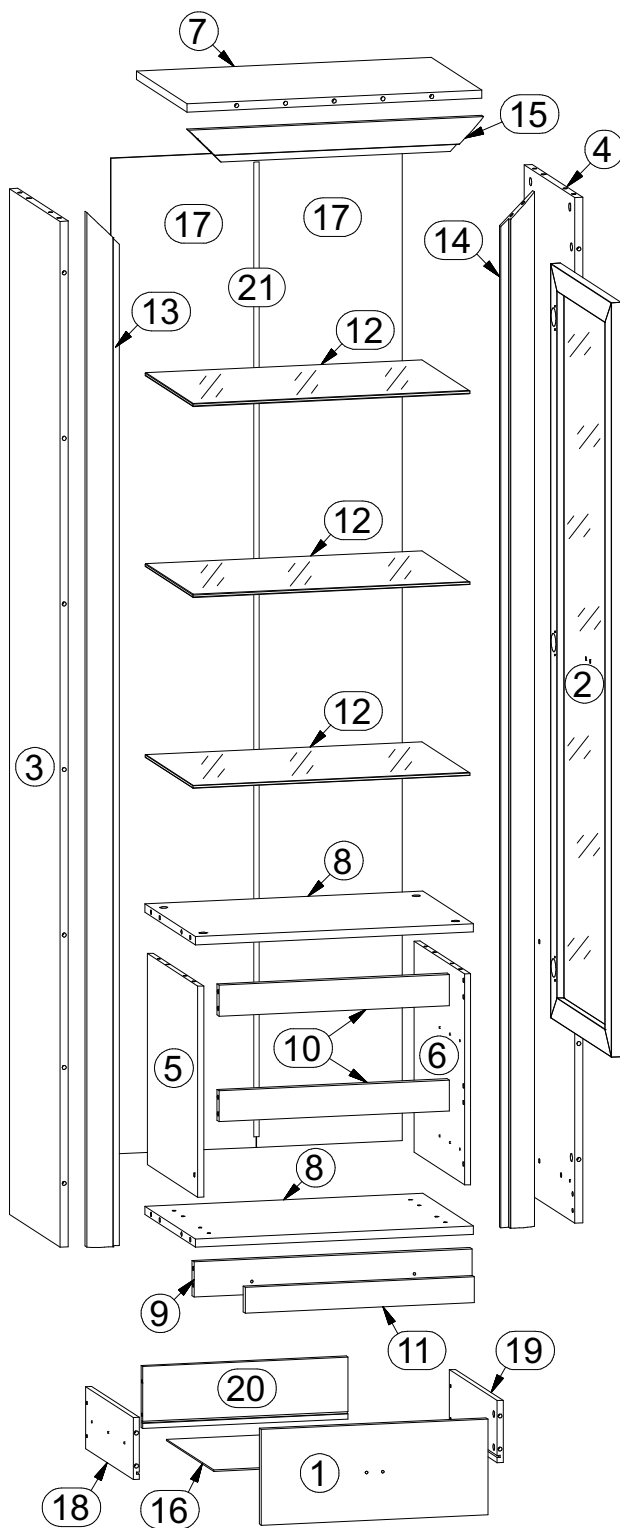


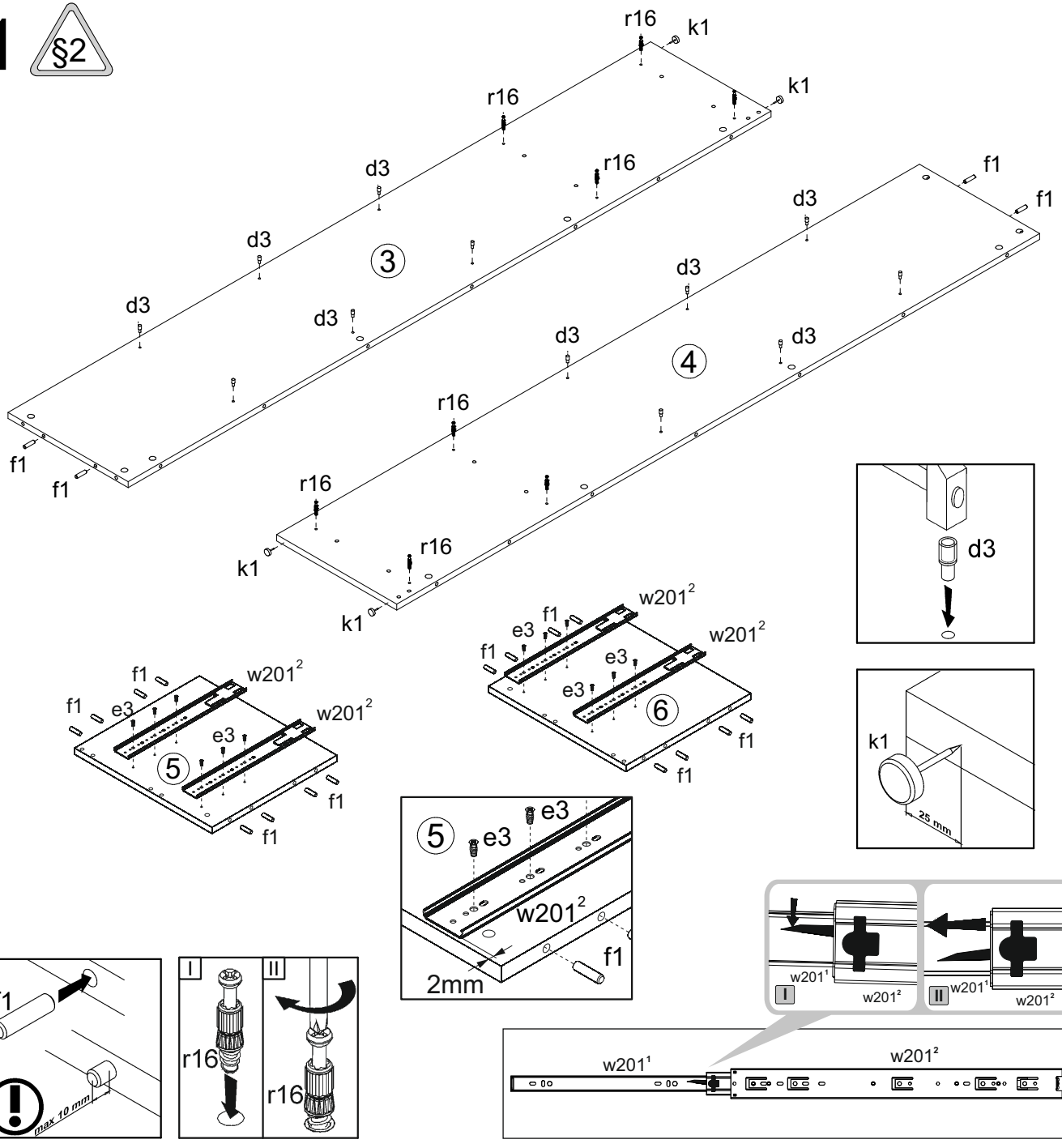


A	B	C	D	
1	S136-0046	446	185	4/5
2	S136-007	1458	446	5/5
3	S136-113	1983	371	1/5
4	S136-114	1983	371	1/5
5	S136-1107	408	371	1/5
6	S136-1108	408	371	1/5
7	S136-204	580	371	1/5
8	S136-353	547	371	1/5
9	S136-404	547	68	1/5
10	S136-405	453	60	1/5
11	S136-406	451	50	1/5
12	S136-501	545	350	2/5
13	S136-571	2000	65	3/5
14	S136-572	2000	65	3/5
15	S136-576	581	65	3/5
16	S136-937	410	348	1/5
17	S136-908	1925	287	1/5
18	S136-5511	350	120	1/5
19	S136-5512	350	120	1/5
20	S136-5513	395	120	1/5
21	lh-1898	1898	14	1/5

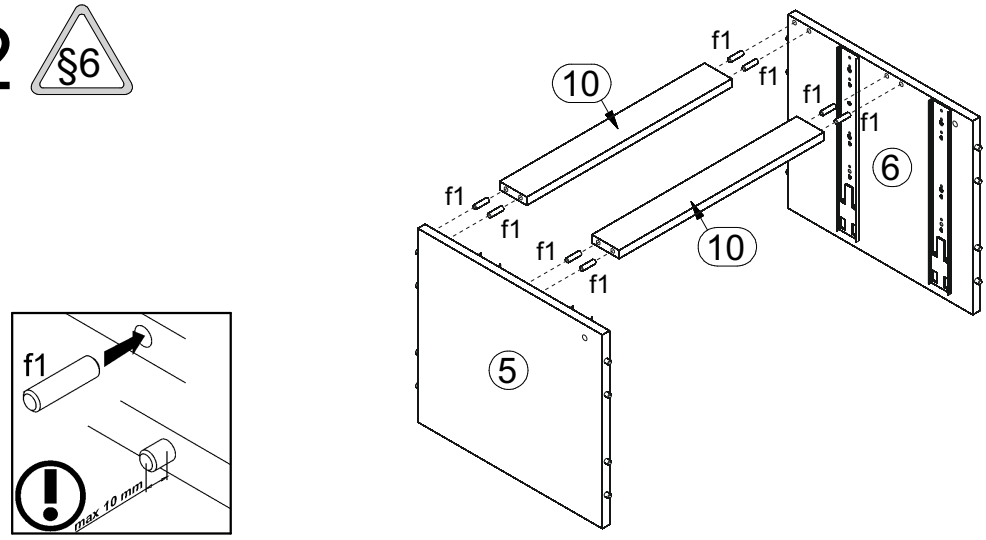


3x a99	3x b43	3x c317	12x φ5x17 mm d3	6x φ6,3x13 mm e2	12x φ6x13 mm e3	8x φ5x50 mm e32	50x φ8x30 mm f1
2x M4x12 mm j3	4x M4x22 mm j30	4x k1	60x l1	1x n26/1	2x φ4,5/φ8x0,5 mm o26	2x φ6,5/φ10x5,2 mm o27	1x φ3,5x16 mm p38
6x φ3,5x15 mm p51	2x φ4x28 mm p94	12x φ3,5x12 mm p140	35x φ15x12mm #16 r1	2x r10	31x 20/9 r16	15x ø16 s2	4x 350 mm w201 ¹
4x 350 mm w201 ²							

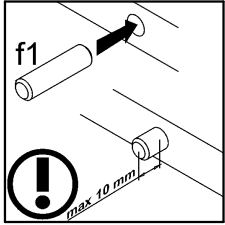
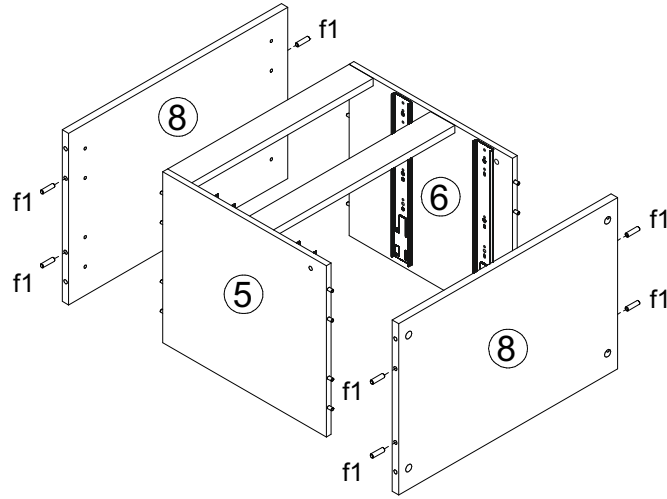
1



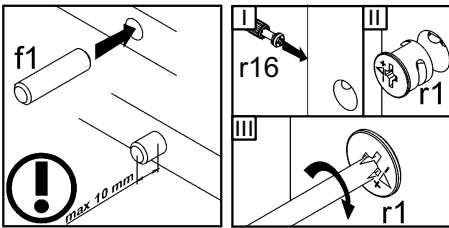
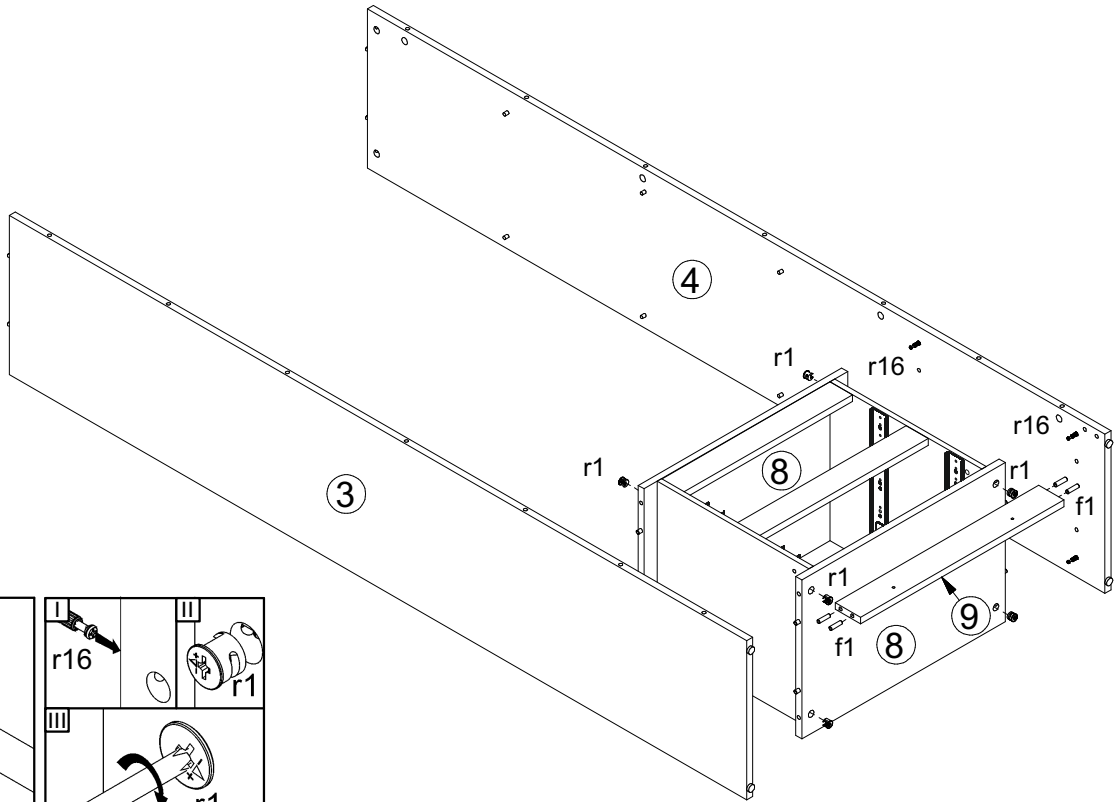
2



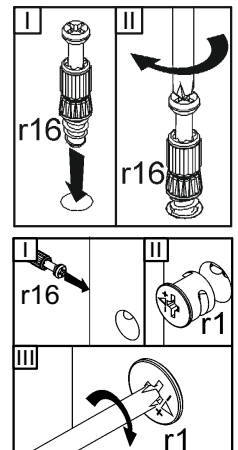
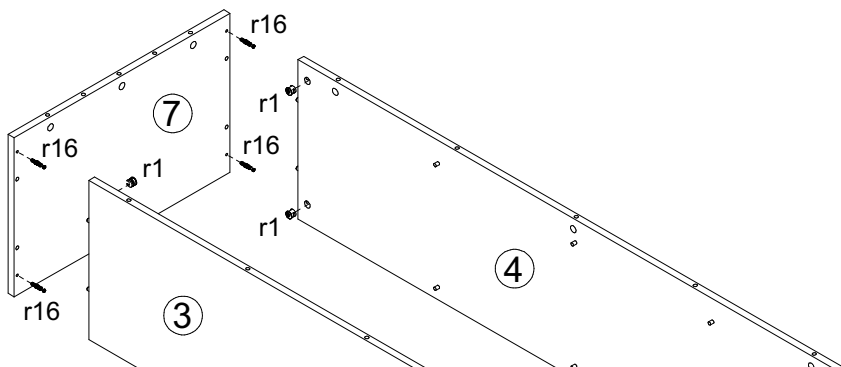
3



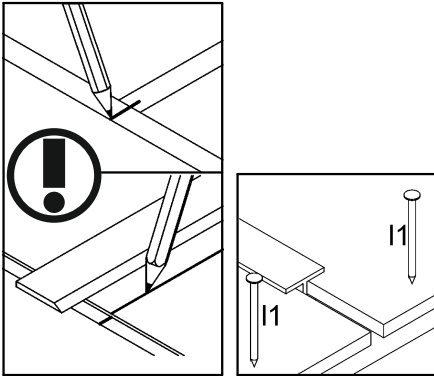
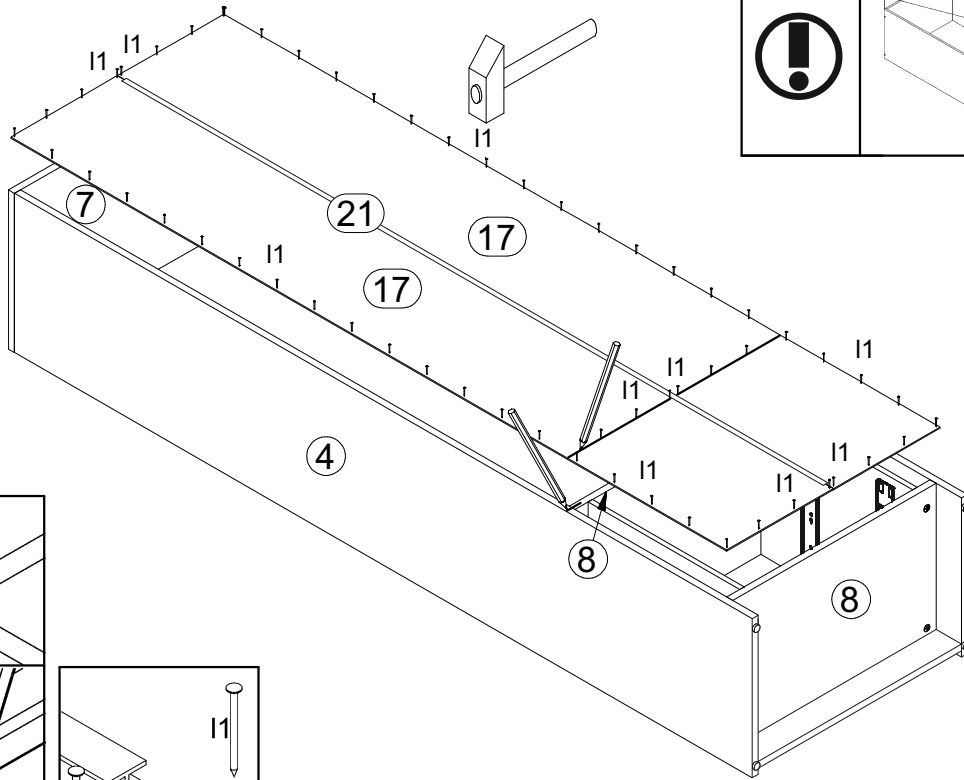
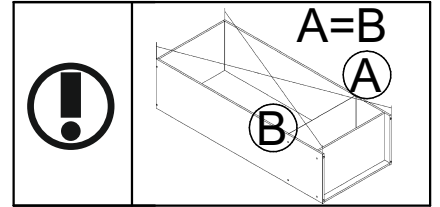
4



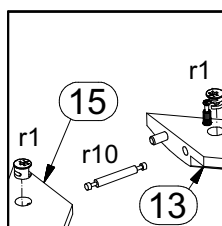
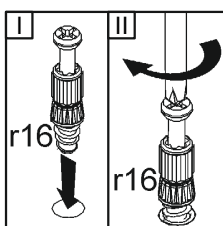
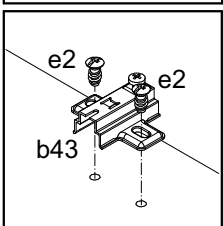
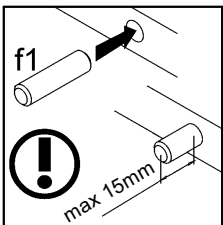
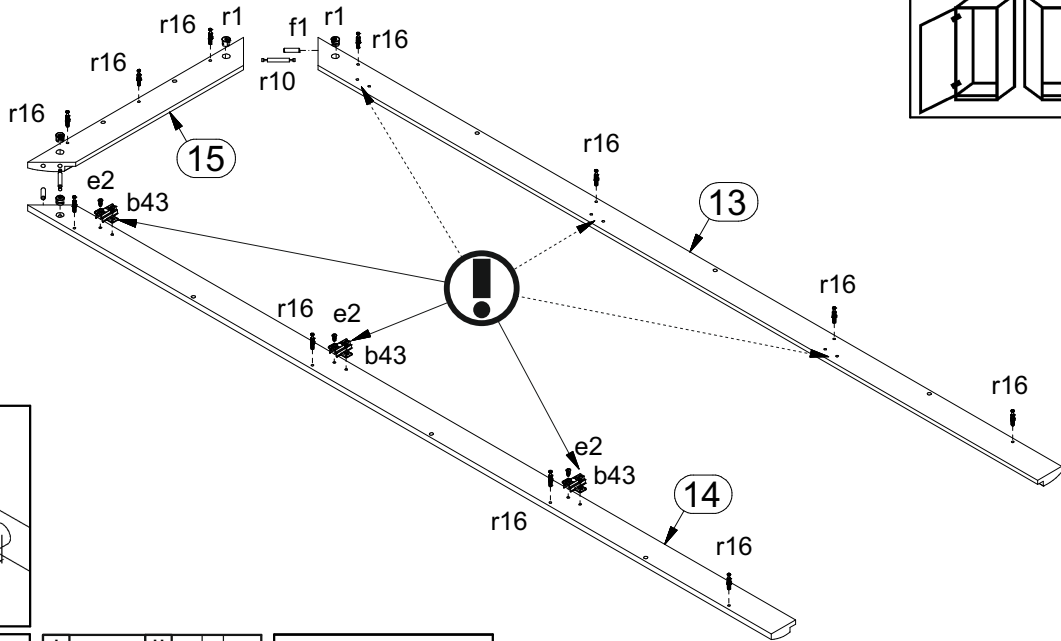
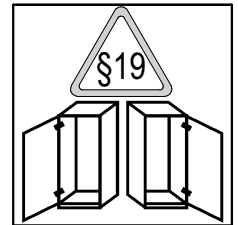
5



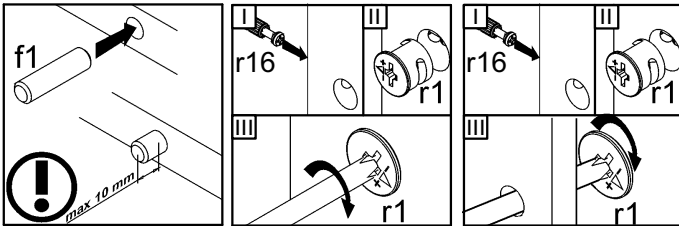
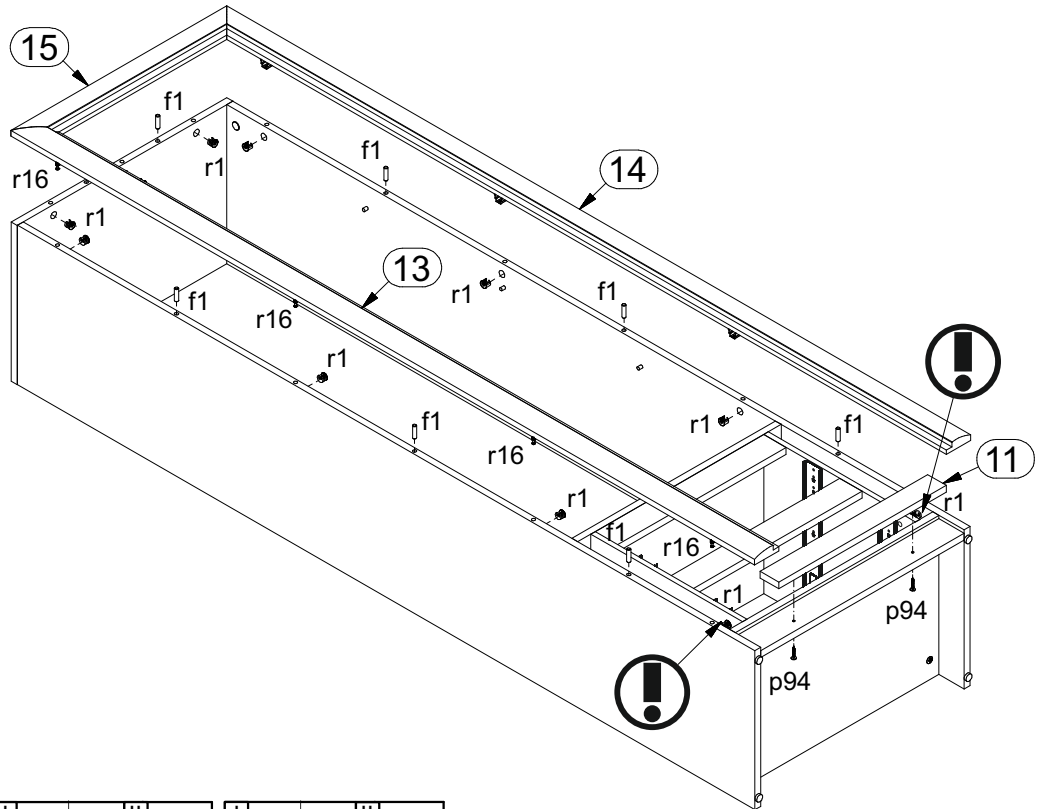
6



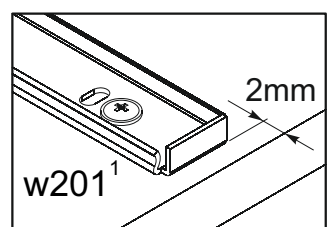
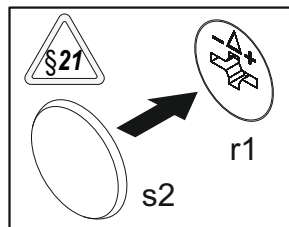
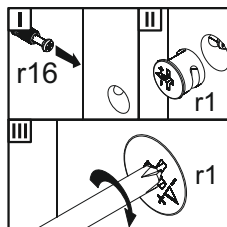
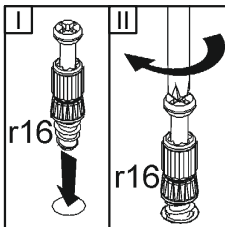
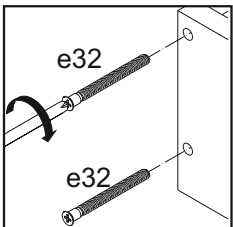
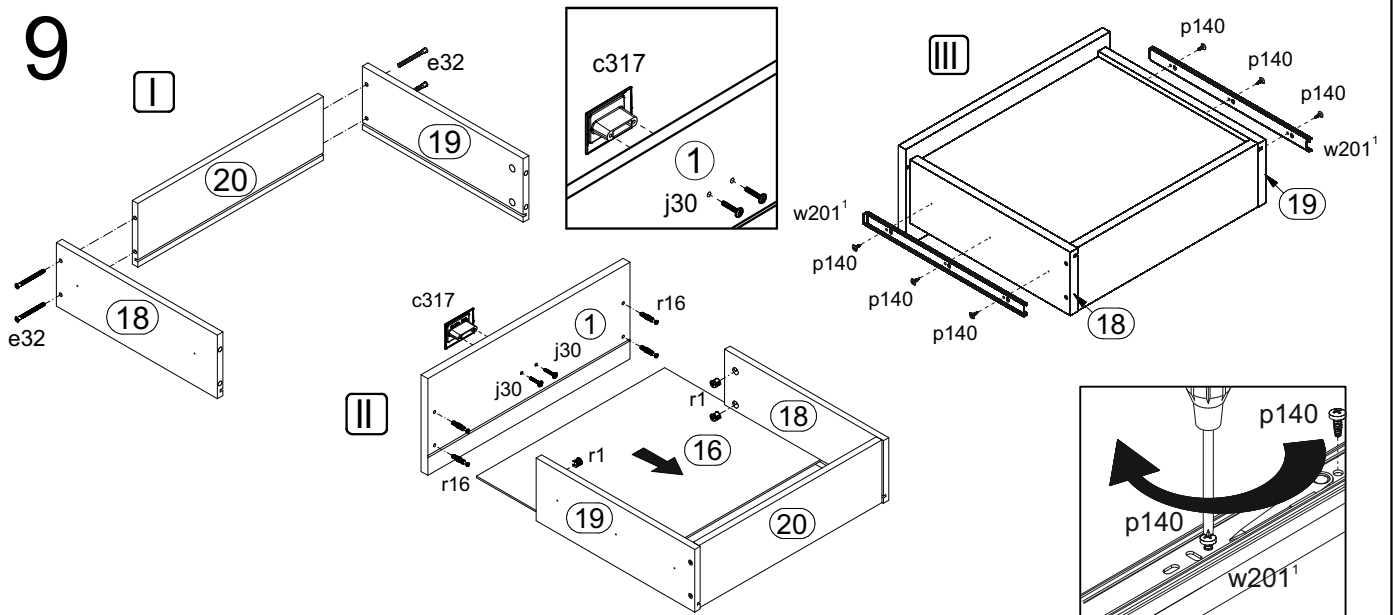
7



8



9



10

