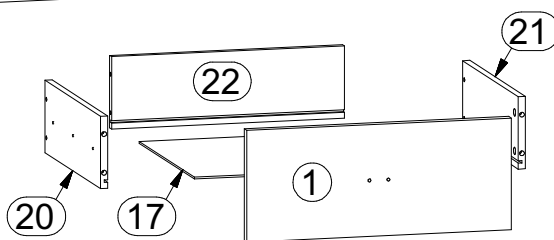
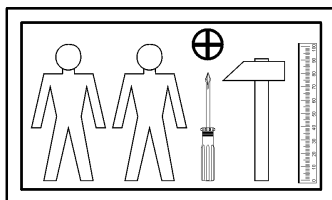
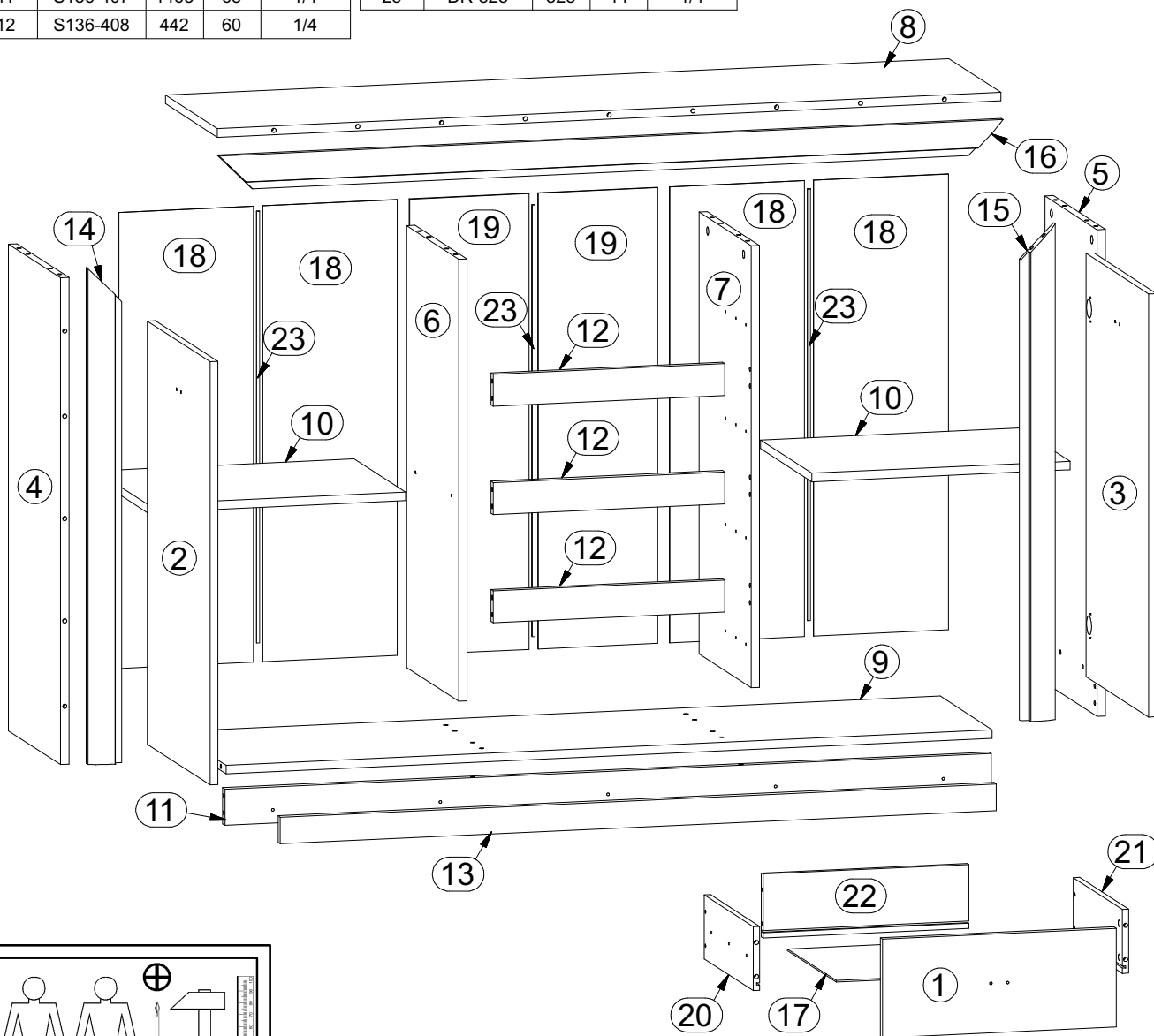
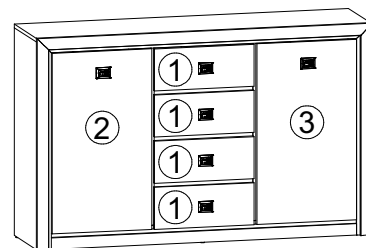


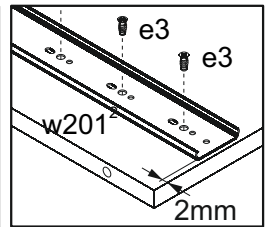
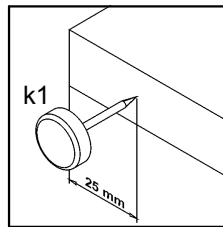
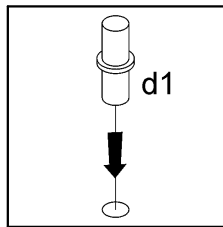
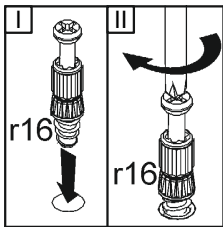
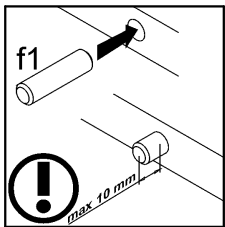
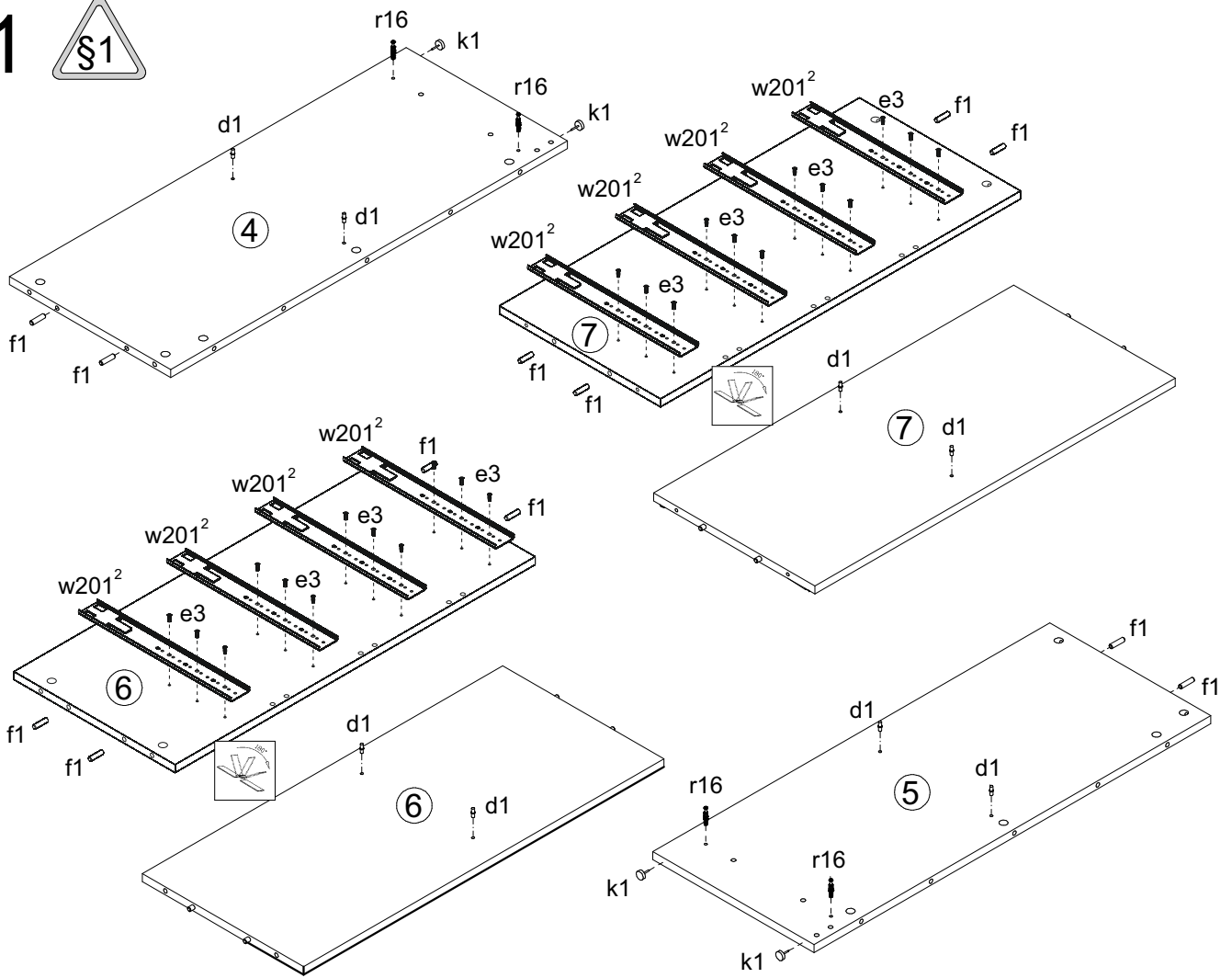
A	B	C	D
1	S136-0047	446	185
2	S136-0005	794	446
3	S136-0006	794	446
4	S136-109	913	371
5	S136-110	913	371
6	S136-1105	829	371
7	S136-1106	829	371
8	S136-203	1496	371
9	S136-303	1463	371
10	S136-304	493	366
11	S136-407	1463	68
12	S136-408	442	60

A	B	C	D
13	S136-409	1367	50
14	S136-577	930	65
15	S136-578	930	65
16	S136-579	1497	65
17	S136-938	399	348
18	S136-906	855	257
19	S136-907	855	228
20	S136-5511	350	120
21	S136-5512	350	120
22	S136-5514	384	120
23	DR-828	828	14

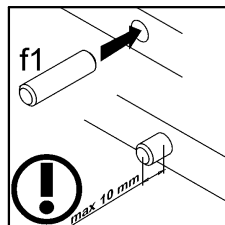
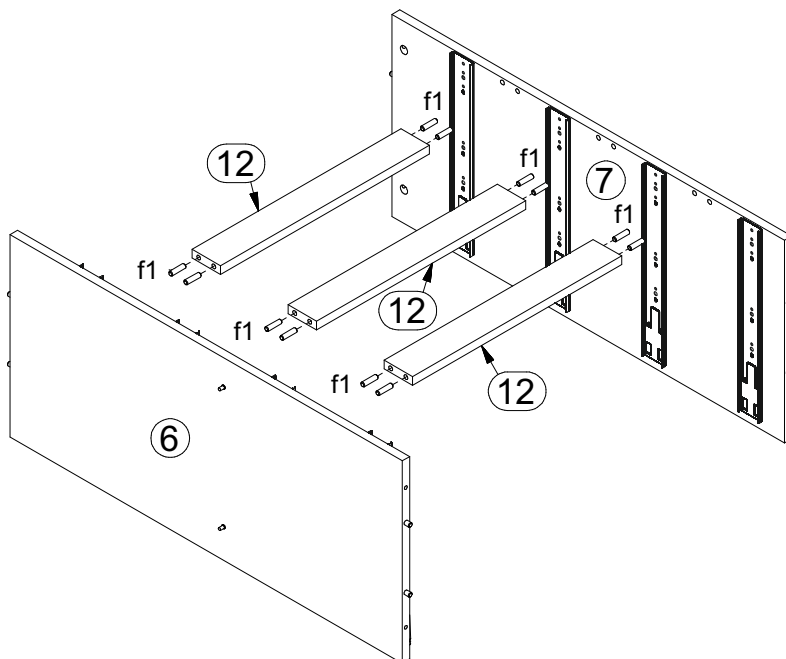


4x a99	4x b43	6x c317	8x d1 φ5x17 mm	4x e1 φ7x50 mm	8x e2 φ6,3x13 mm	24x e3 φ6x13 mm	16x e32 φ5x50 mm
44x f1 φ8x30 mm	12x j30 M4x22 mm	5x k1	80x l1	1x n26/l1	1x p38 φ3,5x16 mm	8x p51 φ3,5x15 mm	24x p140 φ3,5x12 mm
5x p94 φ4x28 mm	43x r1 φ1,5x12mm #16	2x r10	39x r16 20/9	22x s2 ø16	8x w201 ¹ 350 mm	8x w201 ² 350 mm	1x z1

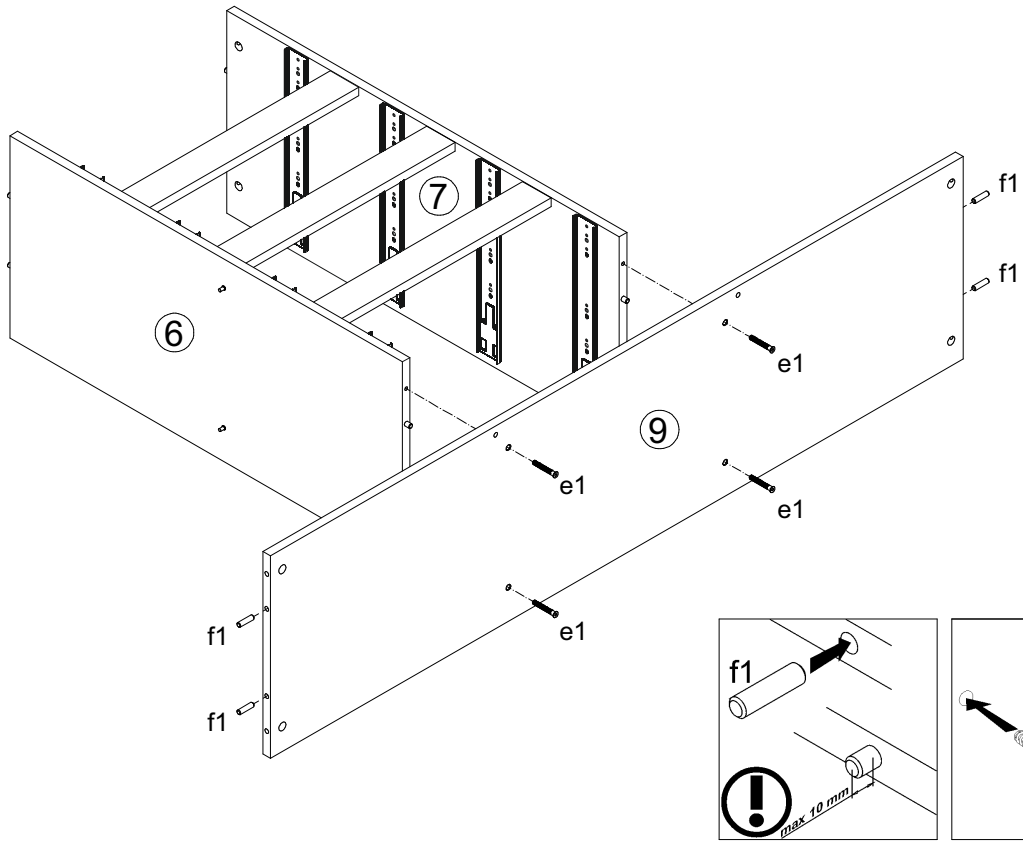
1



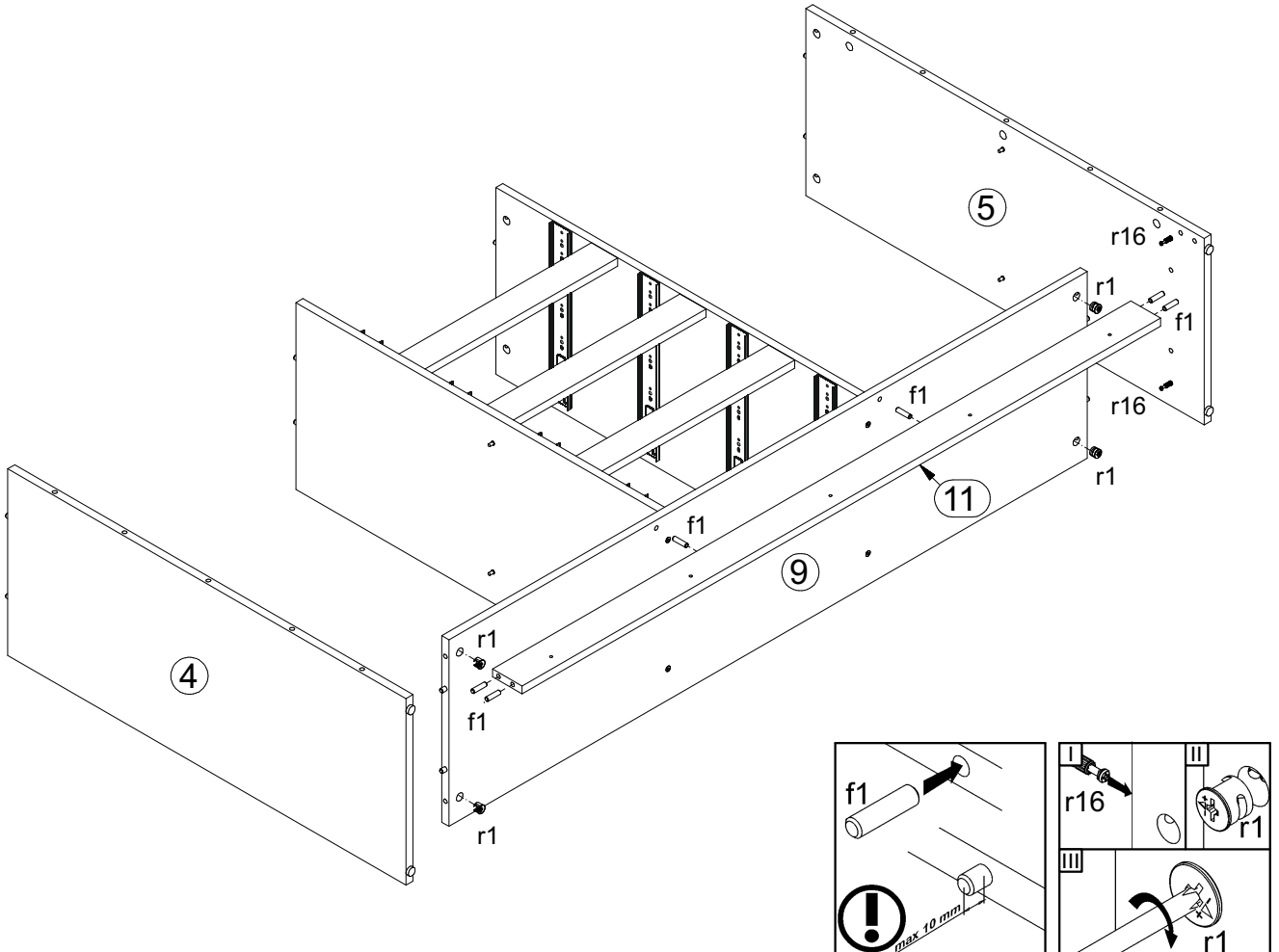
2



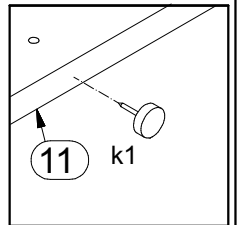
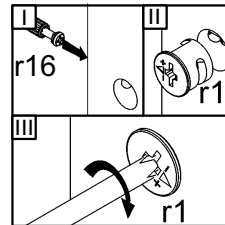
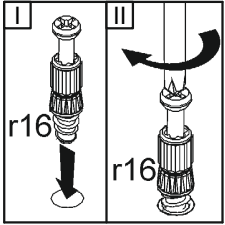
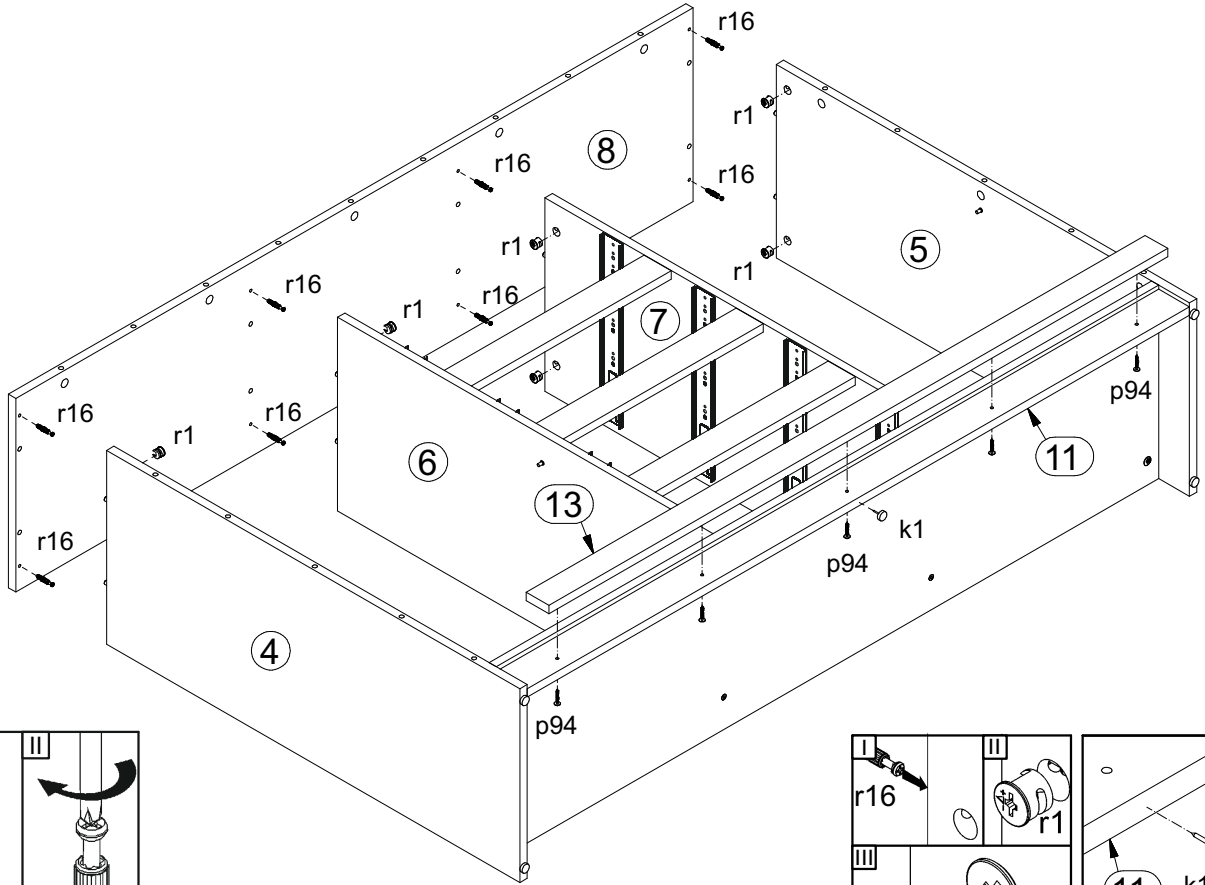
3



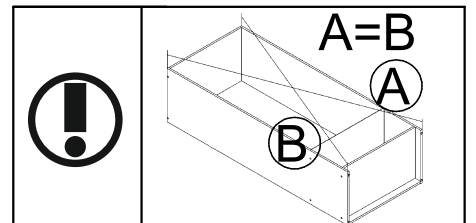
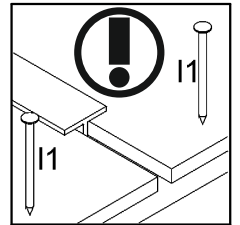
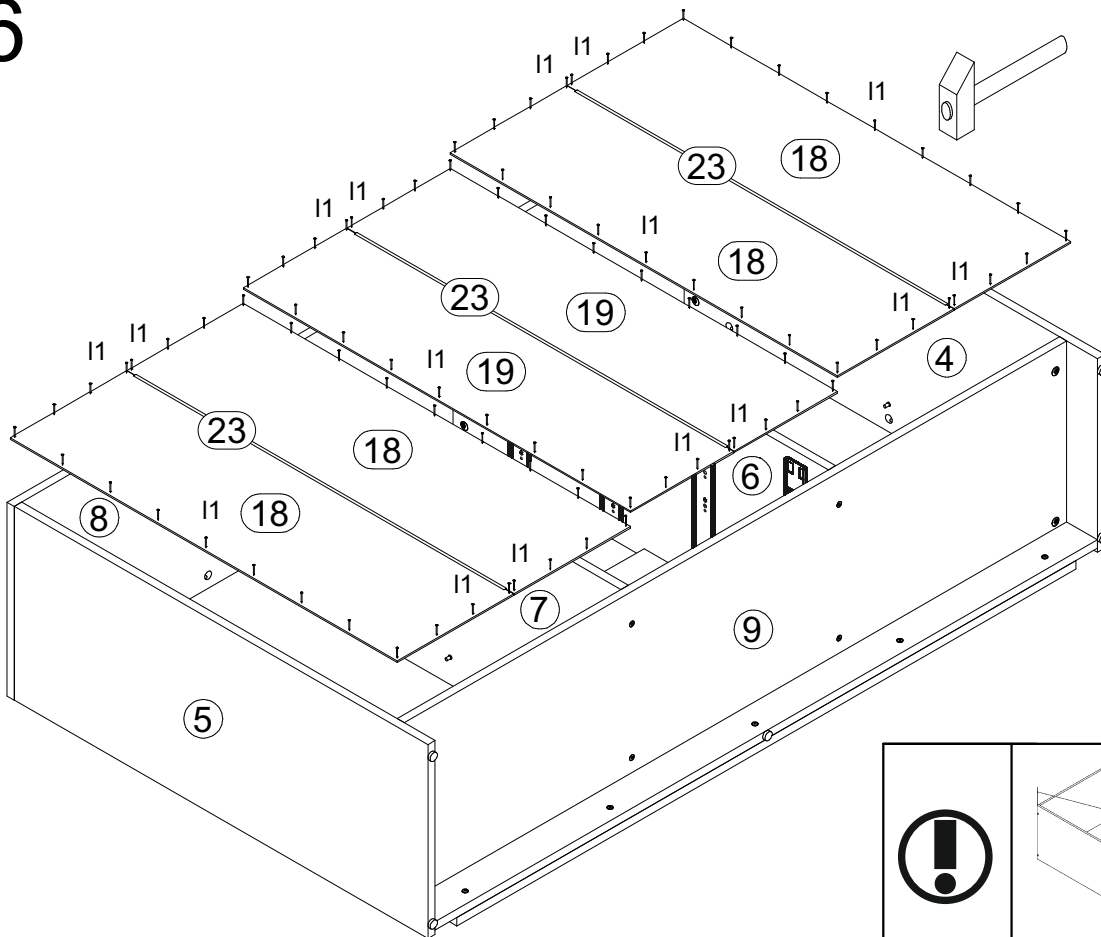
4



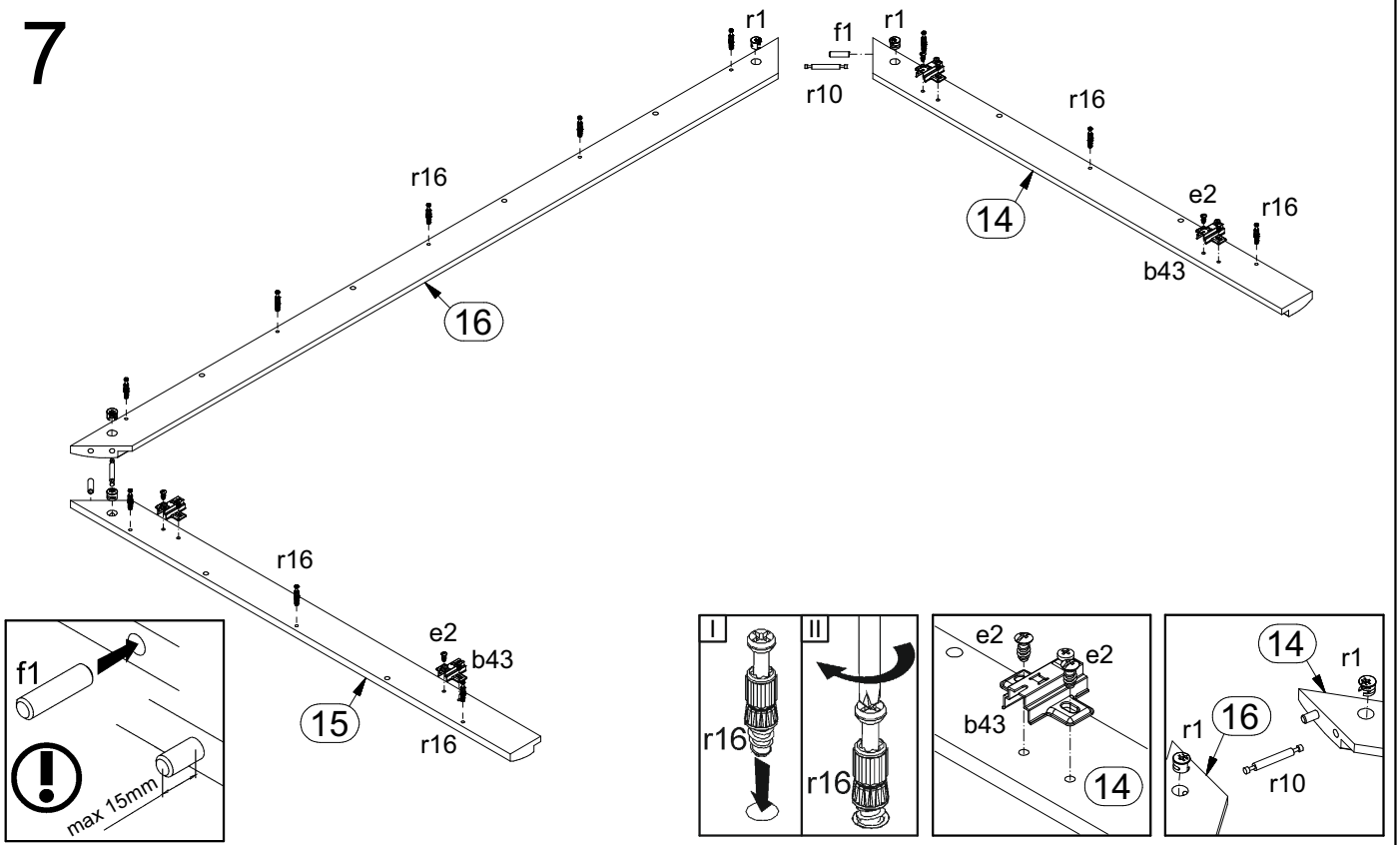
5



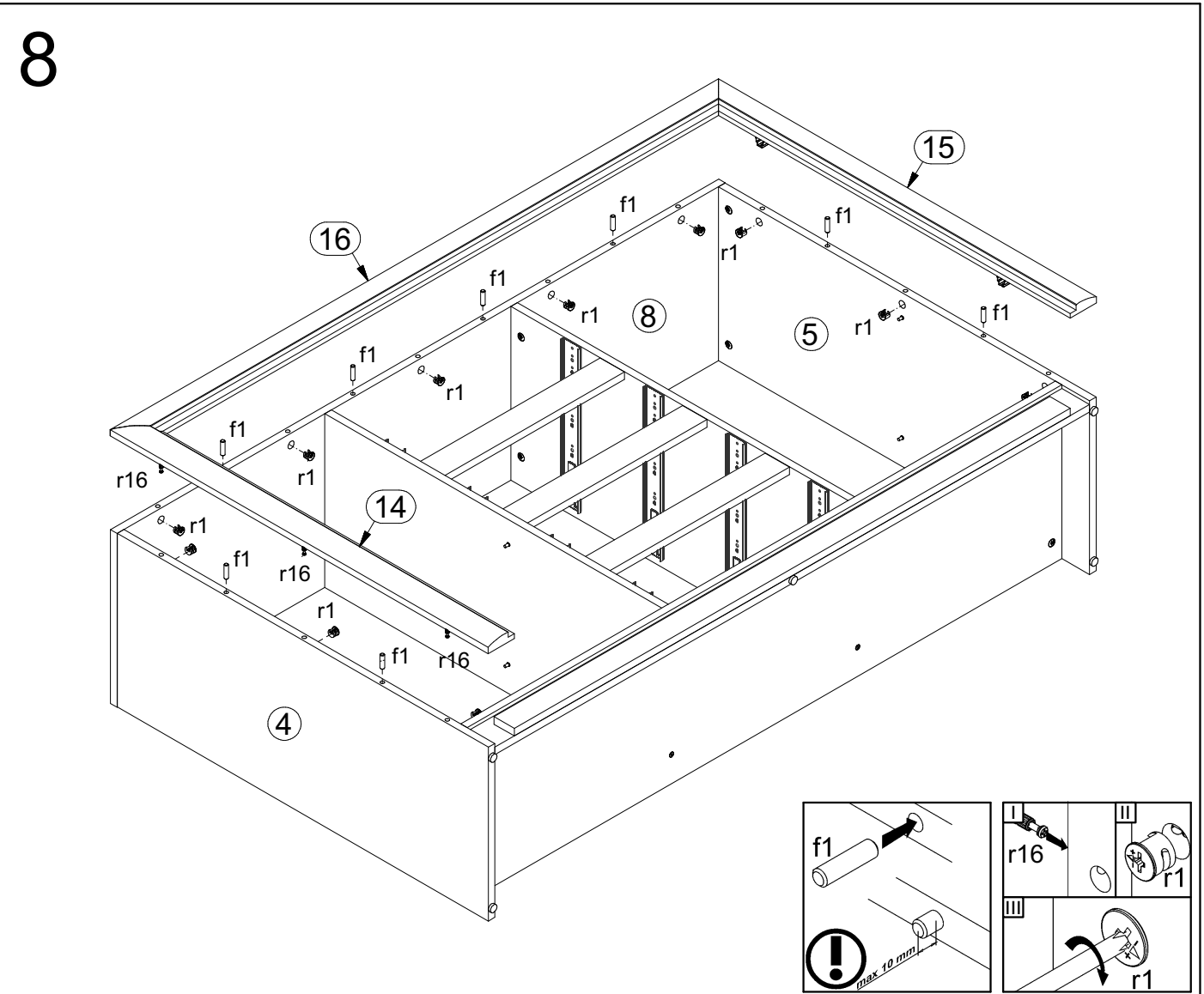
6



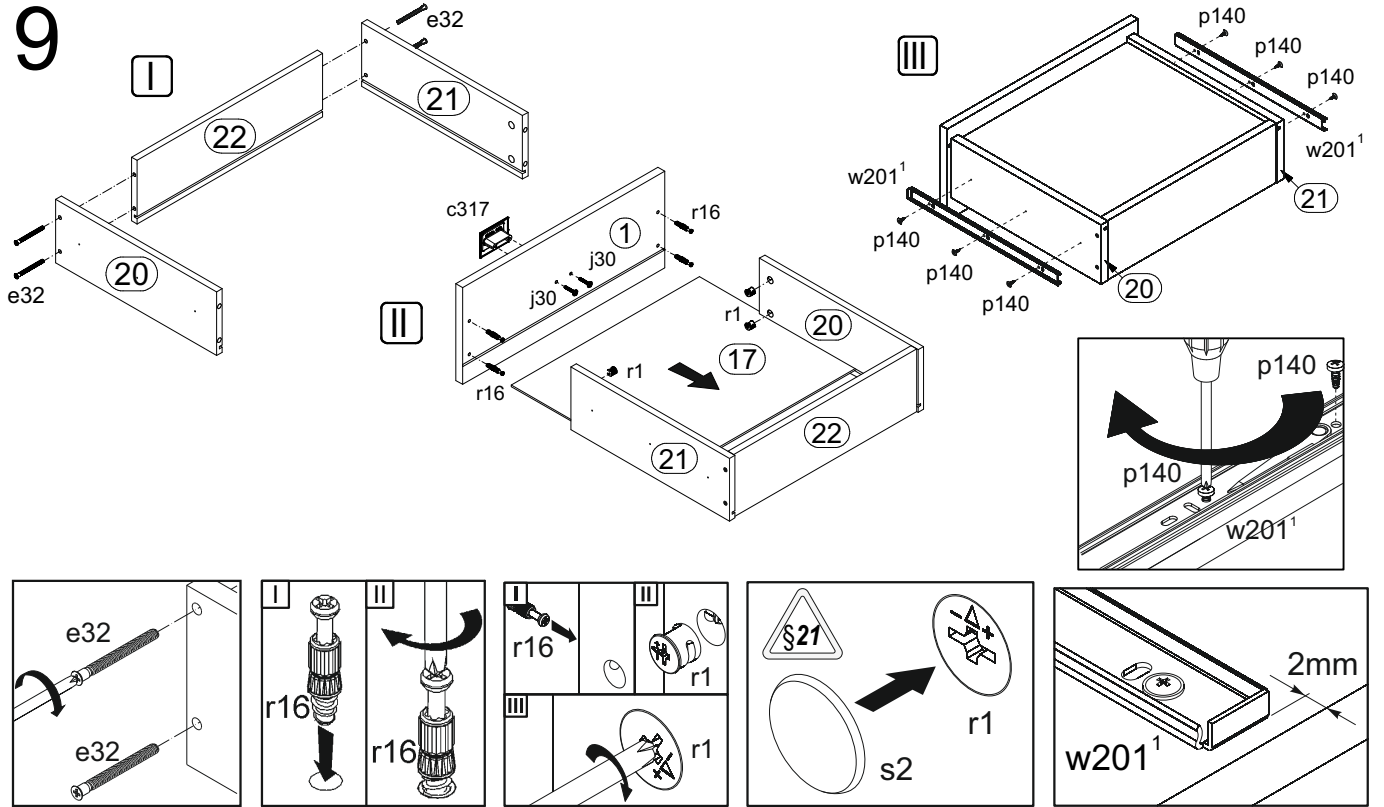
7



8



9



10

