

S205-LOZ/140

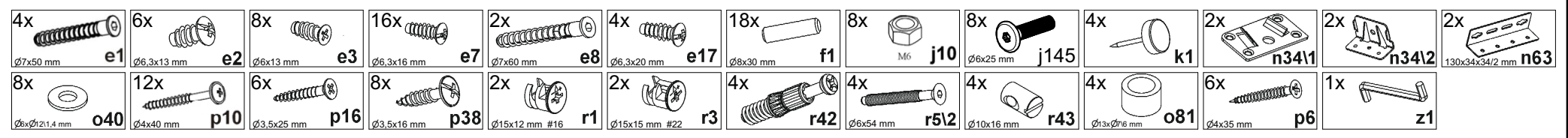
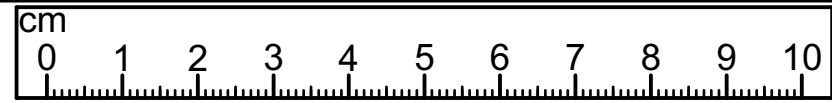
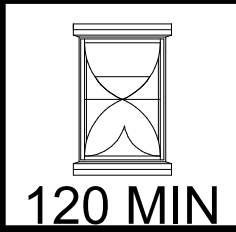
A	B	C (mm)		D
1	S205-134A	2000	250	1/3
2	S205-1180	1400	232	2/3
3	S205-136	2000	250	1/3
4	S205-4420	1446	350	2/3
5	S205-406A	250	130	1/3
6	S205-5585	1197	100	3/3
7	S205-7752	1450	503	3/3
8	S205-7750	1450	252	3/3
9	ZZ1-416	238	70	1/3
10	ZZ1-511	1872	1396	1/1
11	ZZ1-719	1983	70	1/3
12	ZZ1-747	1880	25	1/3
13	n64			2/3

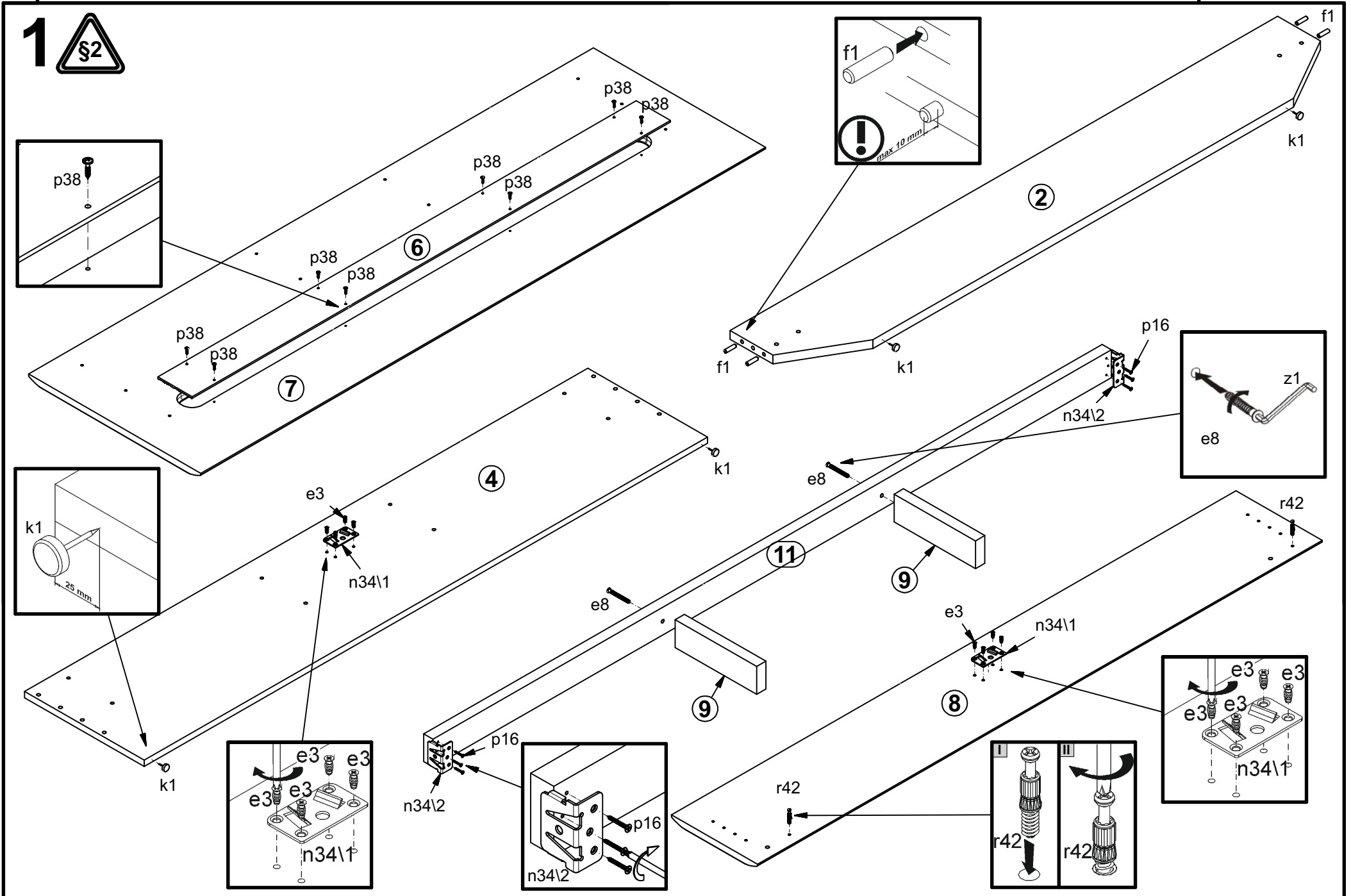
S205-LOZ/160

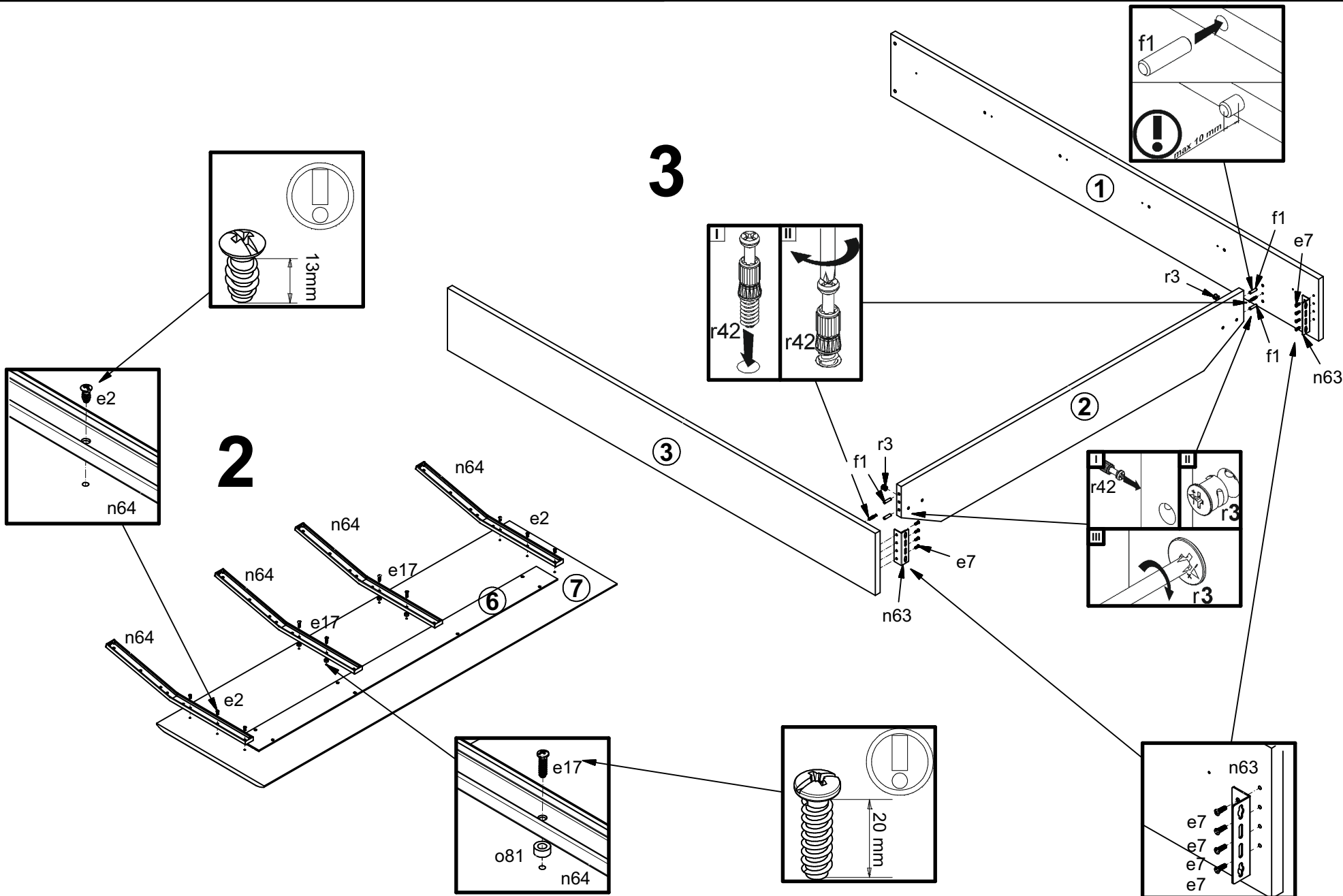
A	B	C (mm)		D
1	S205-134A	2000	250	1/3
2	S205-135A	1600	232	2/3
3	S205-136	2000	250	1/3
4	S205-4404	1646	350	2/3
5	S205-406A	250	130	1/3
6	S205-5584	1397	100	3/3
7	S205-707	1650	503	3/3
8	S205-708A	1650	252	3/3
9	ZZ1-416	238	70	1/3
10	ZZ1-501	1872	1578	1/1
11	ZZ1-719	1983	70	1/3
12	ZZ1-747	1880	25	1/3
13	n64			2/3

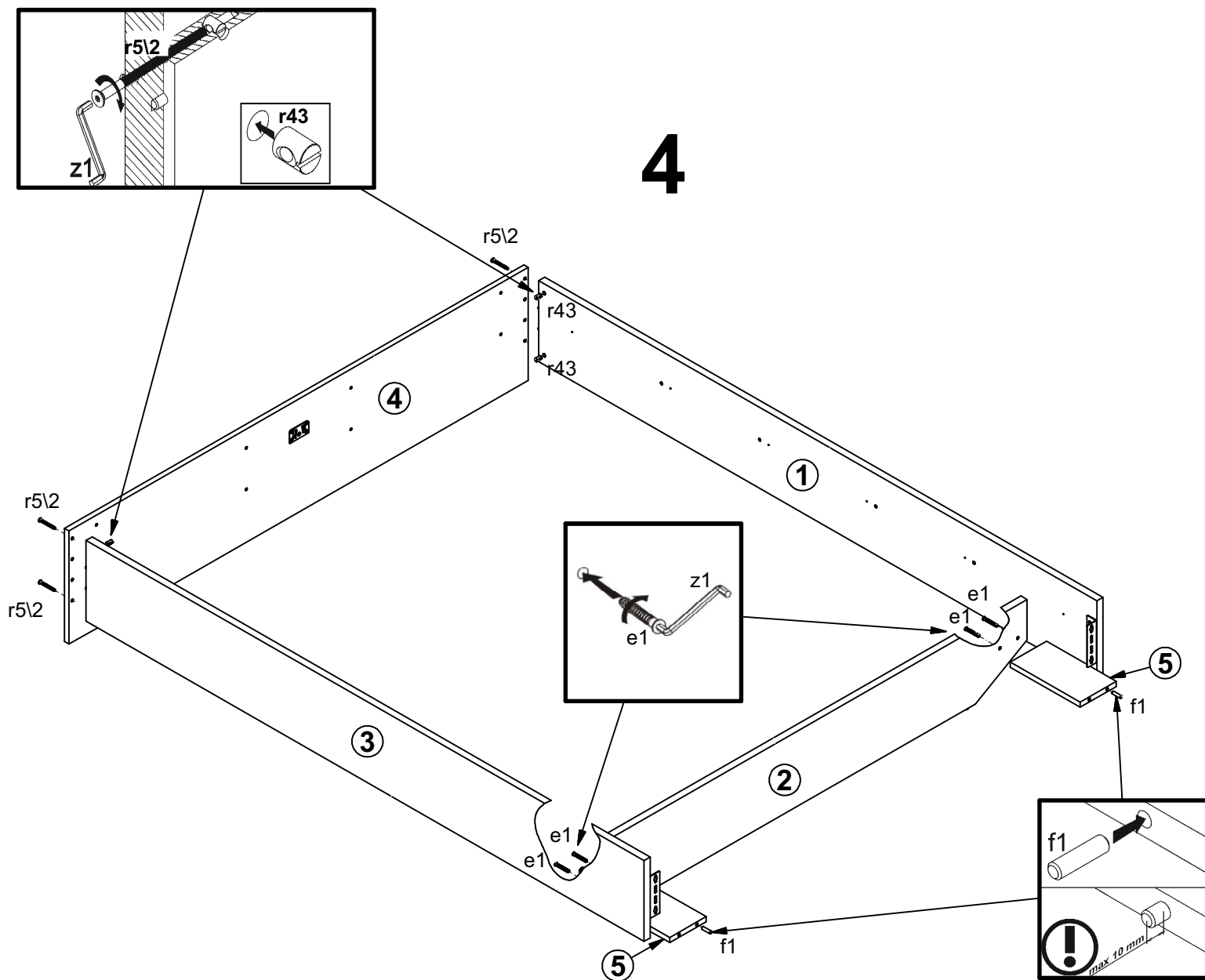
S205-LOZ/180

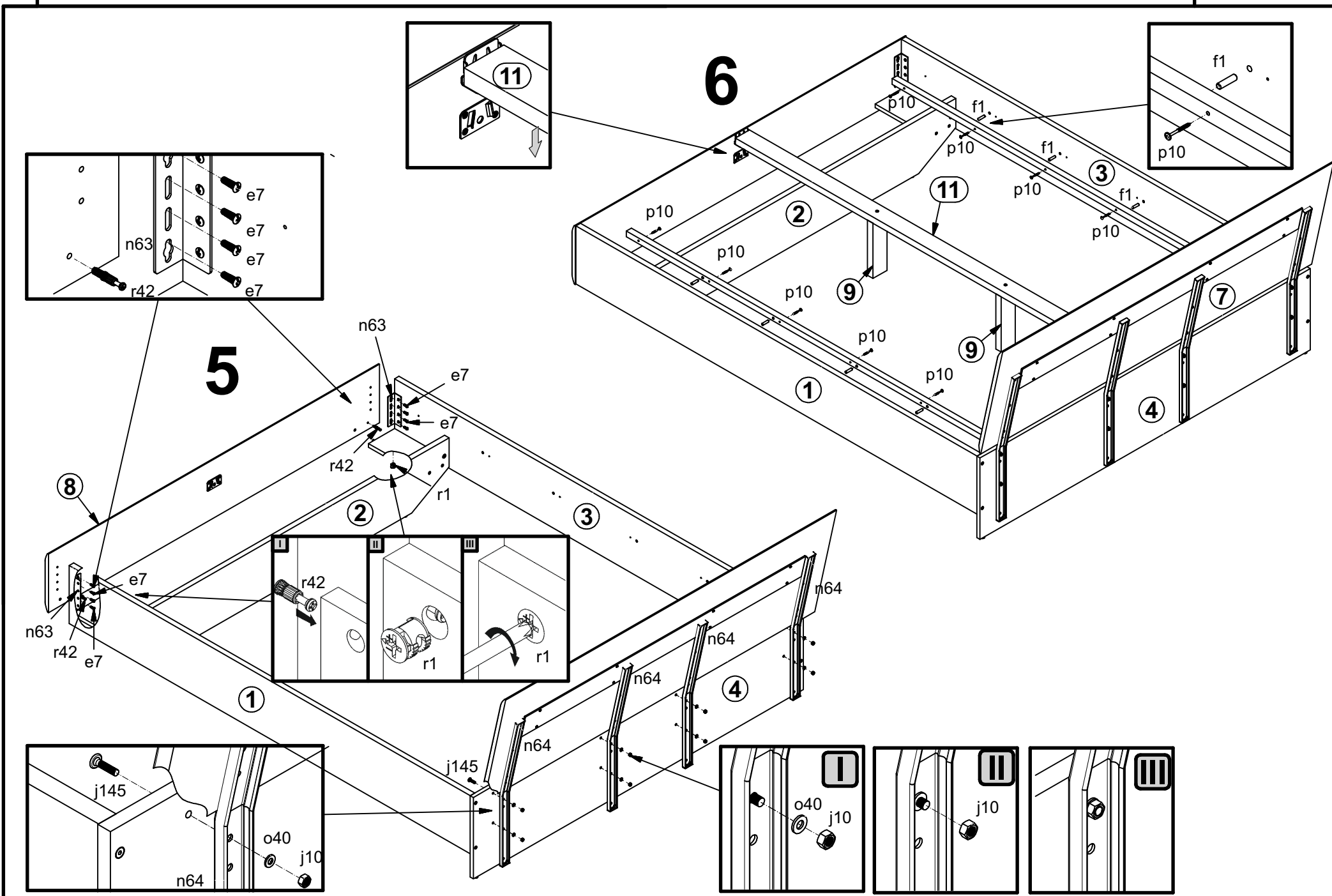
A	B	C (mm)		D
1	S205-134A	2000	250	1/3
2	S205-1182	1800	232	2/3
3	S205-136	2000	250	1/3
4	S205-4422	1846	350	2/3
5	S205-406A	250	130	1/3
6	S205-5587	1597	100	3/3
7	S205-7758	1850	503	3/3
8	S205-7759	1850	252	3/3
9	ZZ1-416	238	70	1/3
10	ZZ1-505	1872	1778	1/1
11	ZZ1-719	1983	70	1/3
12	ZZ1-747	1880	25	1/3
13	n64			2/3











7

