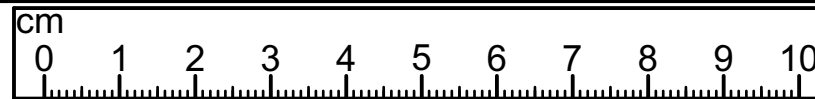
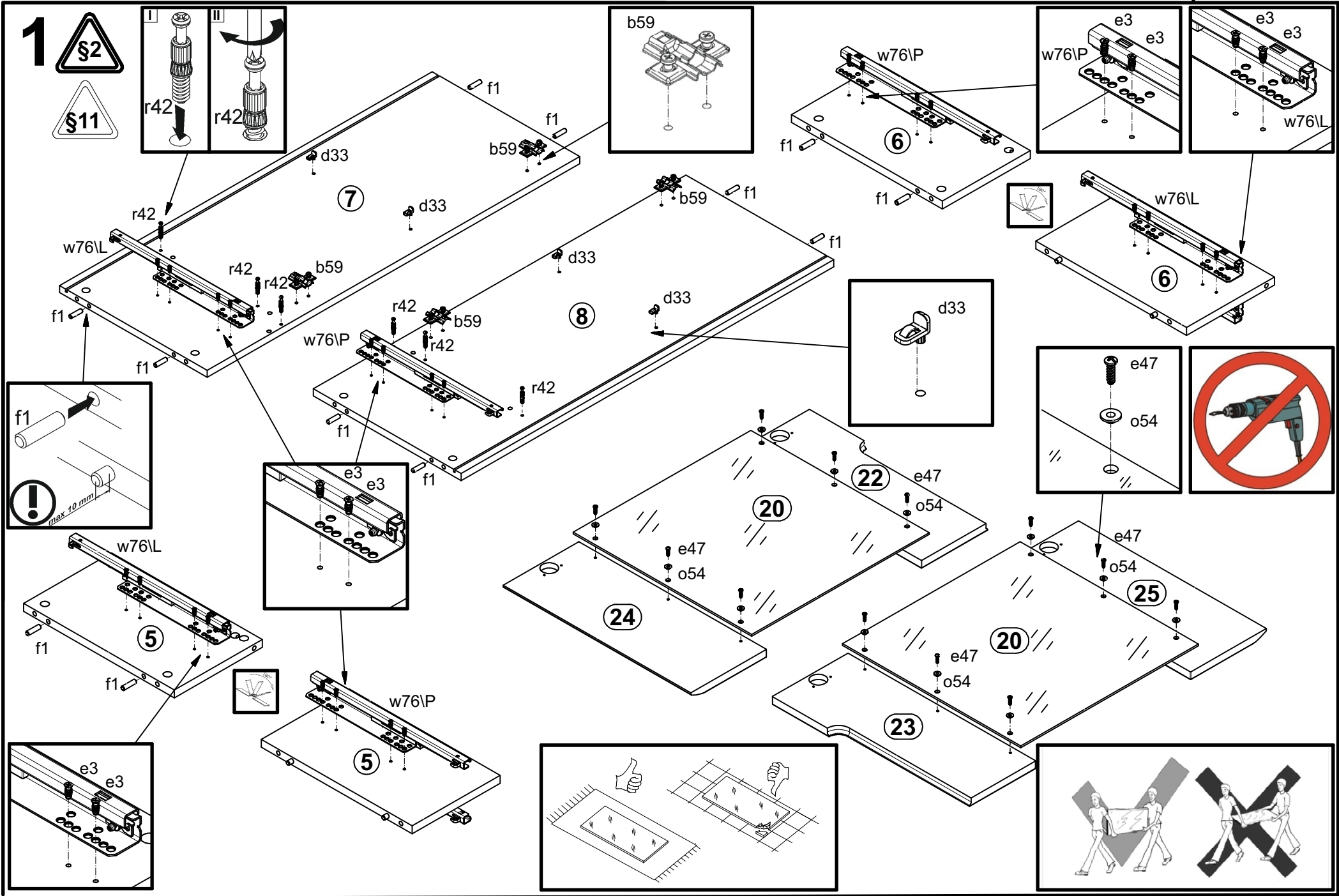


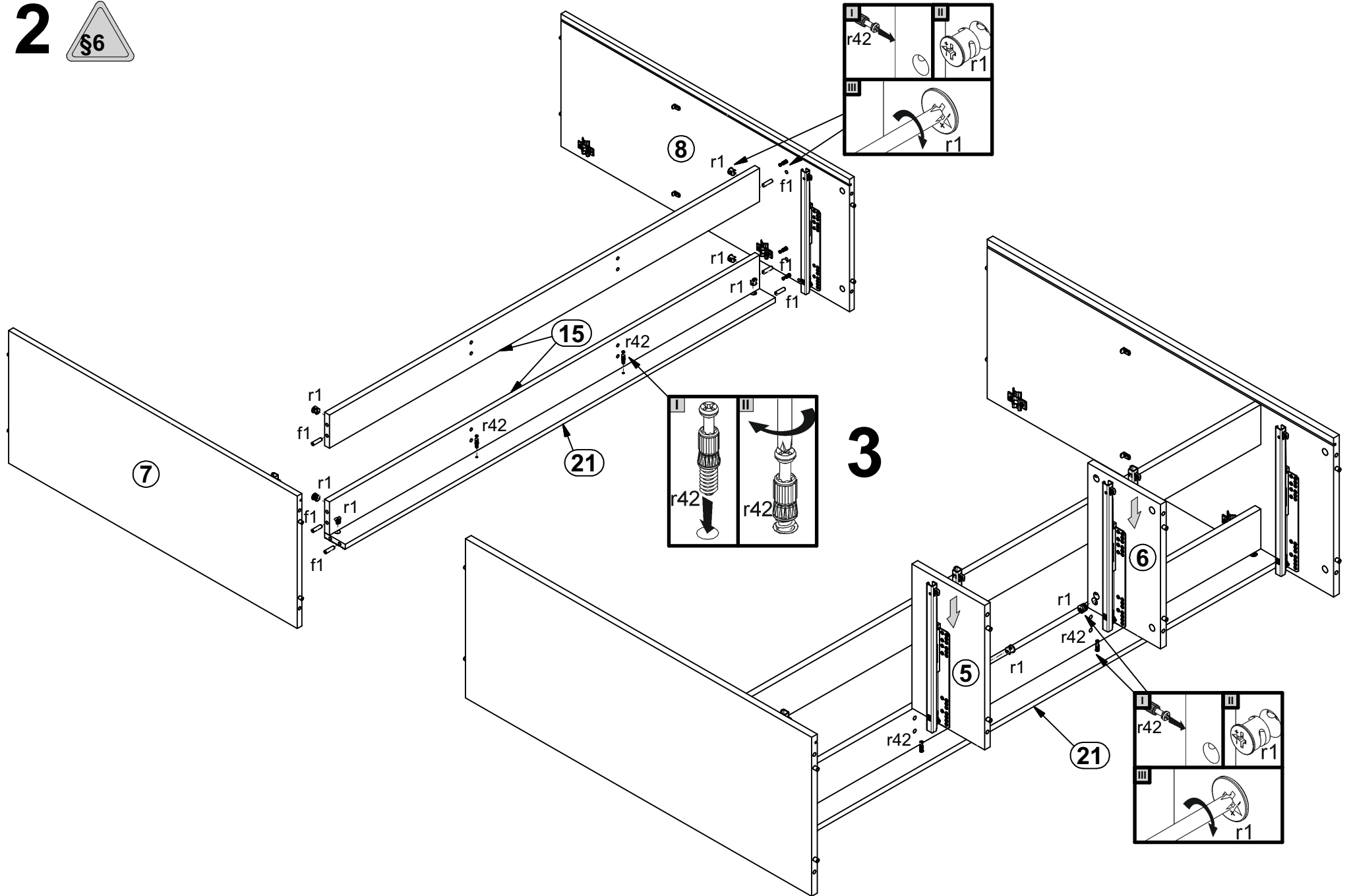
A	B	C (mm)		D	A	B	C (mm)		D
1	S205-014	175	496	3/6	5	S205-123	206	354	2/6
2	S205-017	200	496	3/6	6	S205-124	206	354	2/6
3	S205-018	200	496	3/6	7	S205-125	984	390	2/6
4	S205-022	784	496	3/6	8	S205-126	984	390	2/6
9	S205-127	761	370	2/6	10	S205-128	761	370	2/6
11	S205-214	1500	390	1/6	12	S205-215	1500	390	1/6
13	S205-307	483	360	2/6	14	S205-308	469	340	4/6
15	S205-401	1467	98	1/6	16	S205-501	350	105	1/6
17	S205-502	350	105	1/6	18	S205-507	444	91	1/6
19	S205-508	435	91	1/6	20	S205-552	471	469	5/6
21	S205-573	1467	70	1/6	22	S205-703/A	200	496	3/6
23	S205-704	200	496	3/6	24	S205-705/A	200	496	3/6
25	S205-706	200	496	3/6	26	S205-907	458	358	2/6
27	S205-908	449	358	2/6	28	S205-911	994	488	2/6
29	S205-912	994	501	2/6	30	qc33/2			6/6



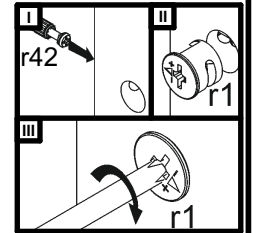
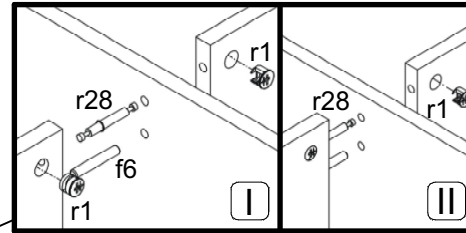
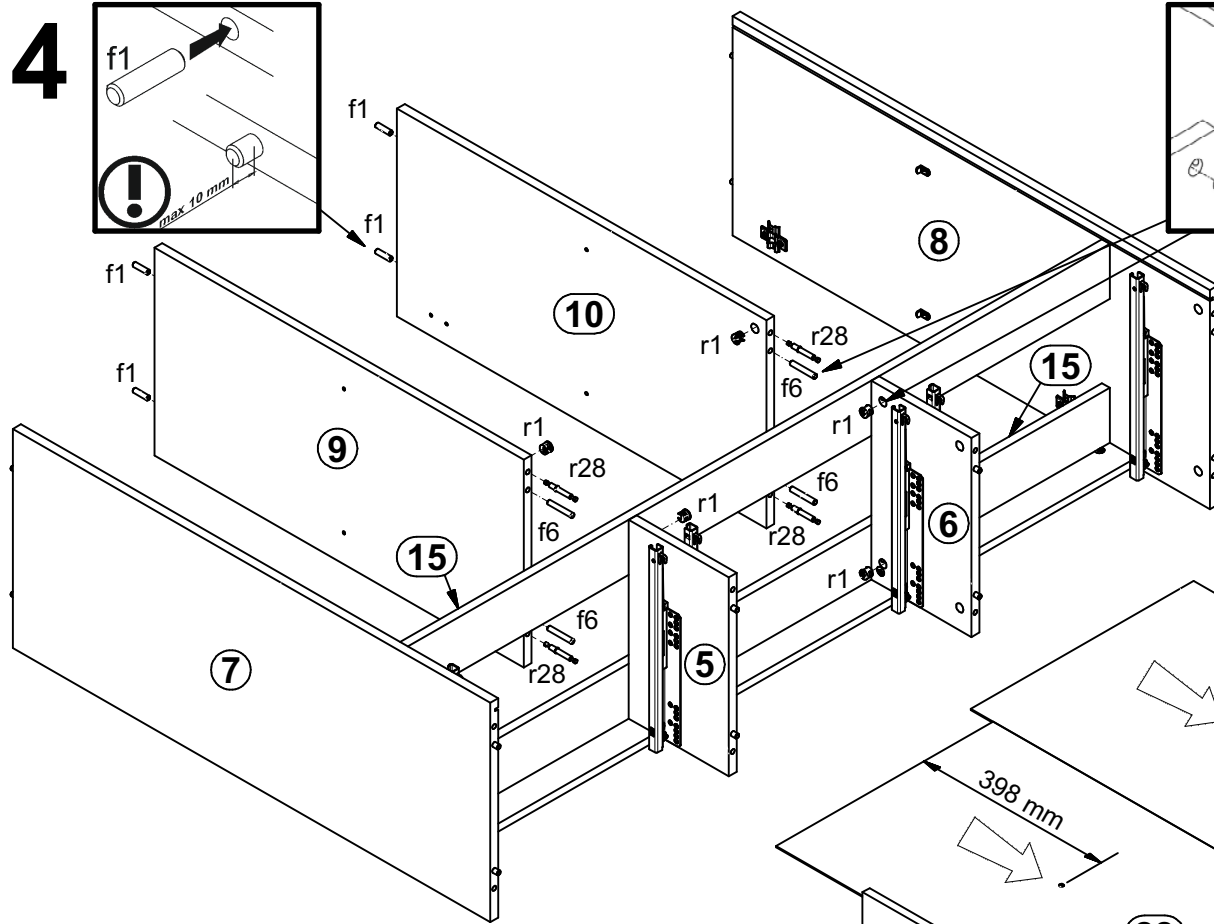
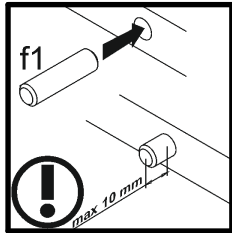
28x r42	4x 36/20 mm r28	15x l1	1x φ5x60 mm p17	1x φ10x50 mm f35	12x φ5x16 mm e47	8x d33	36x φ15x12 mm #16 r1	3x 350 mm t35	12x φ5.3/φ8.3x4.8 mm o54	28x φ8x30 mm f1	4x φ8x50 mm f6
24x φ6x13 mm e3	2x φ35 mm s33	4x l1/5 s4	16x φ16 s2	4x φ12x0.5 mm s59	20x φ7x50 mm e1	20x φ2.9x16 mm p55	12x φ3.5x15 mm p51	6x φ3.5x16 mm p25	19x φ3.5x16 mm p38	8x φ4x35 mm p6	20x l2
1x z1	1x n26/1	3x 350 mm w76/L	3x 350 mm w76/P	14x 20x13x3.5/1 n108	4x φ5x17 mm d1	2x k84	4x k85	4x a102	4x b59	2x a109	2x b51



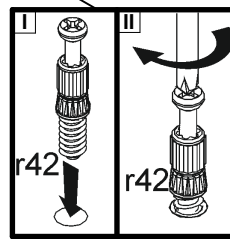
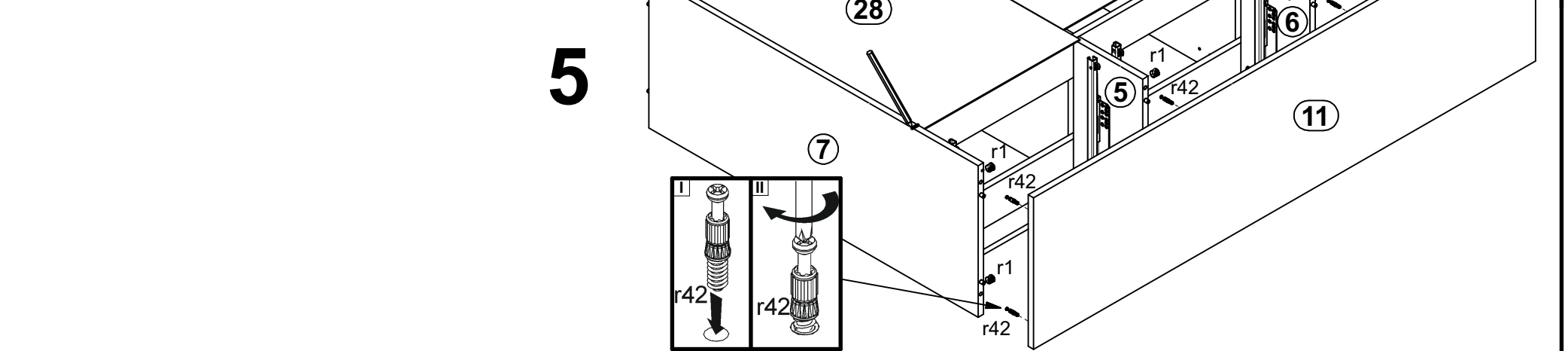
2 



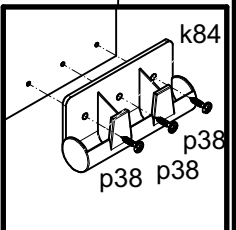
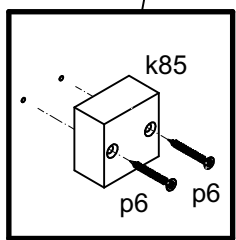
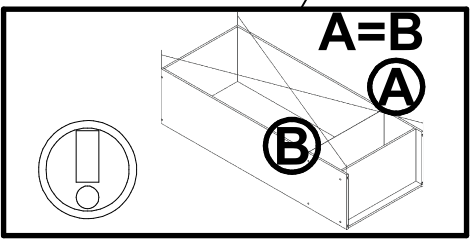
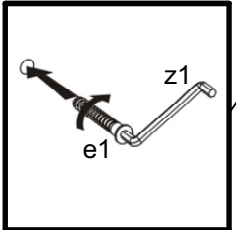
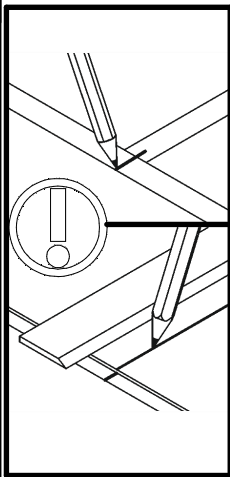
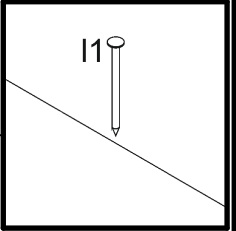
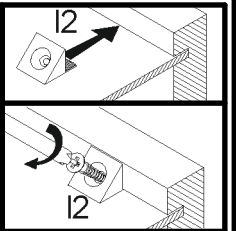
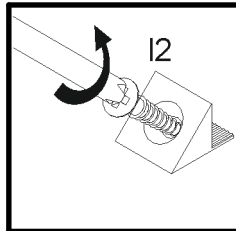
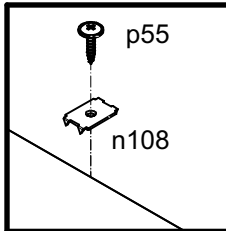
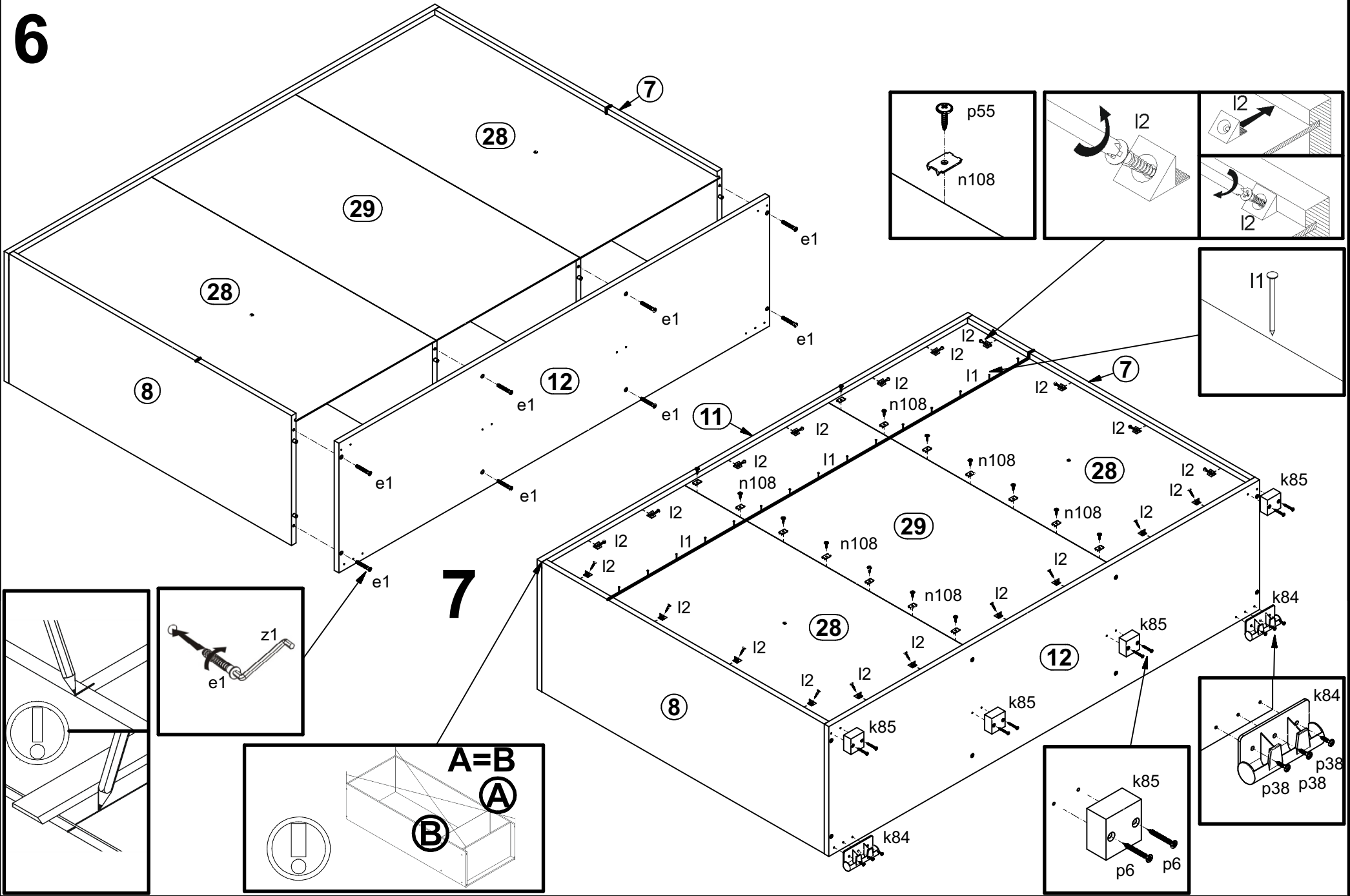
4



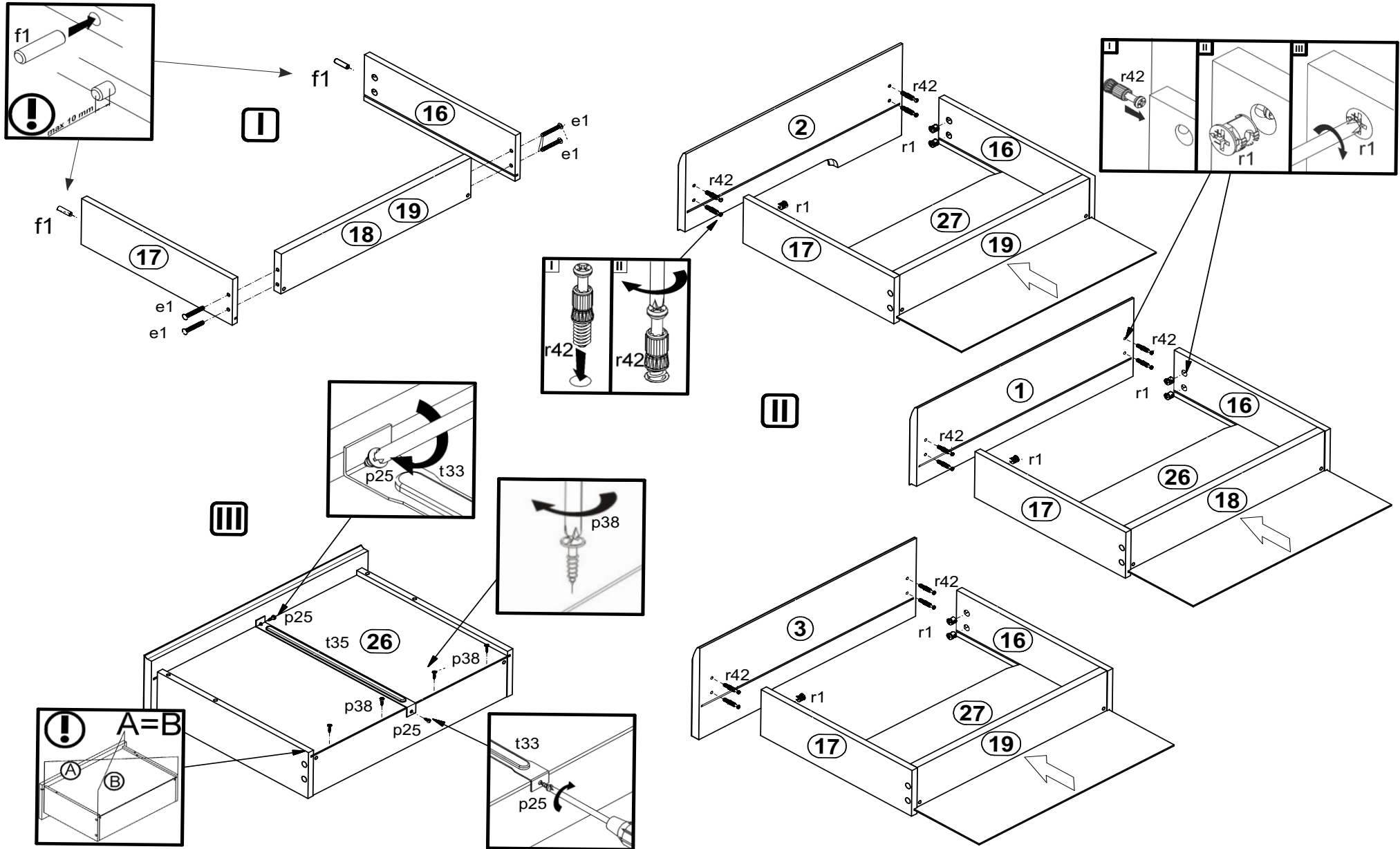
5



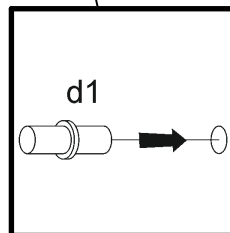
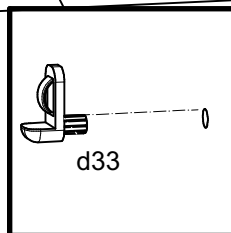
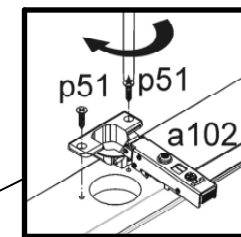
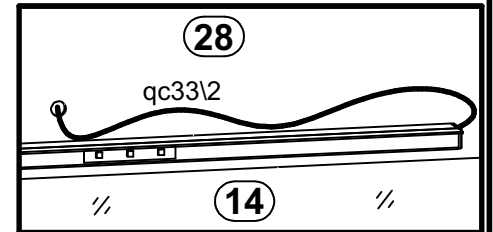
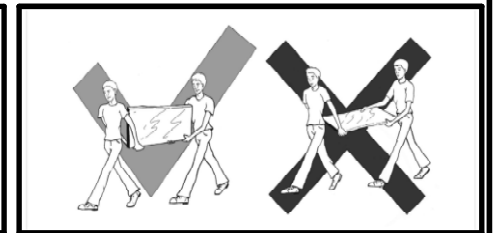
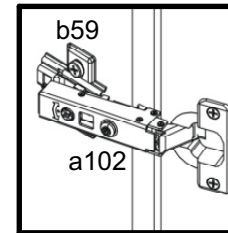
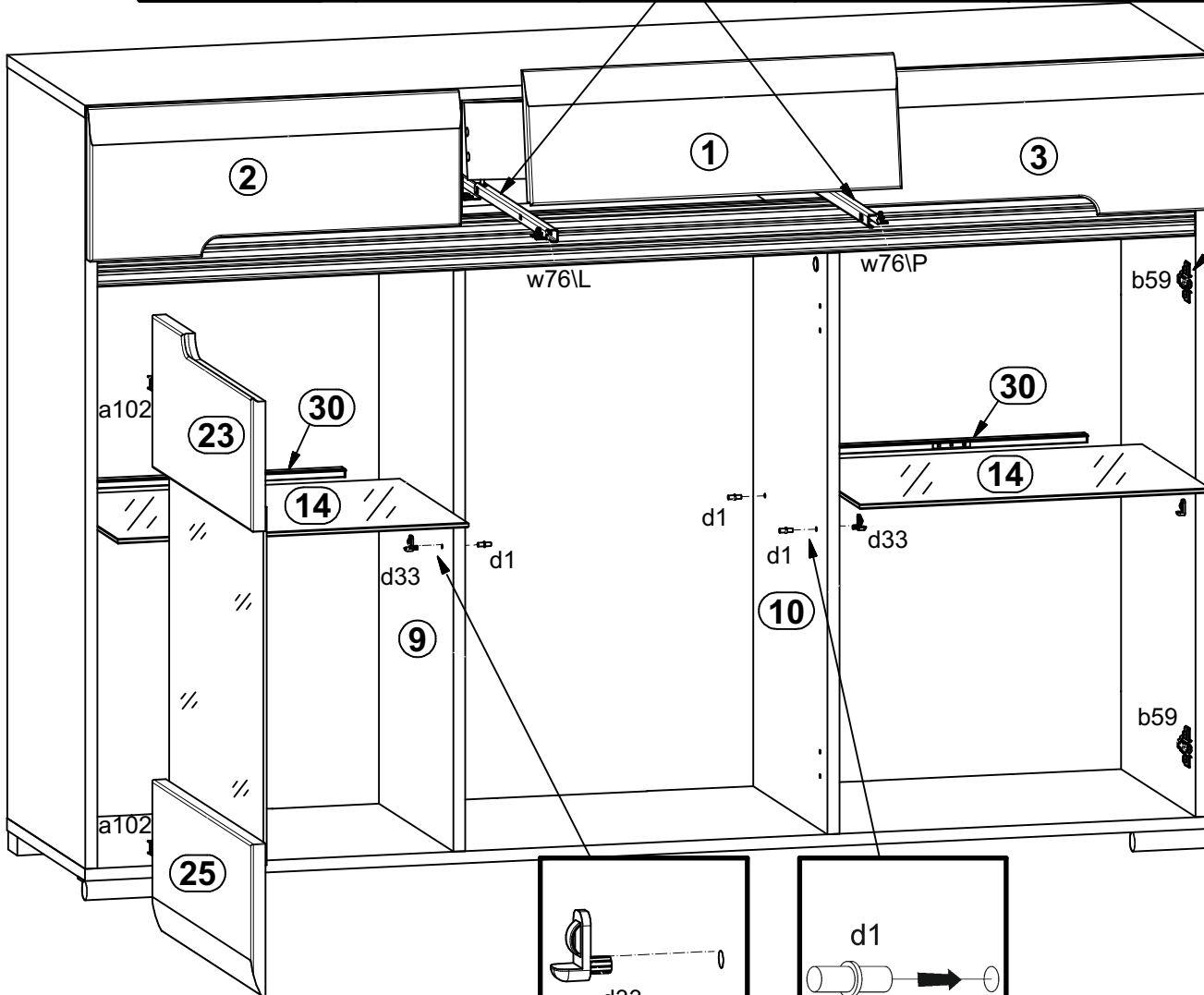
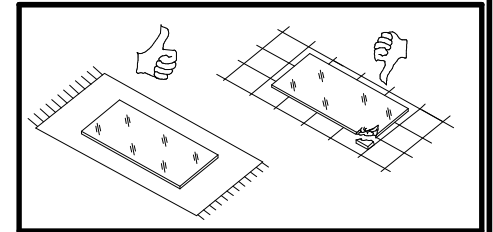
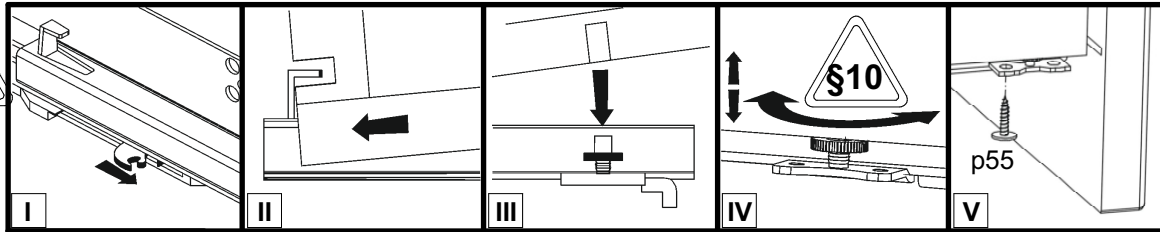
6



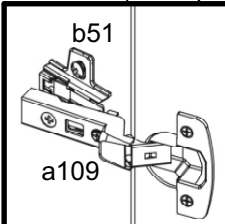
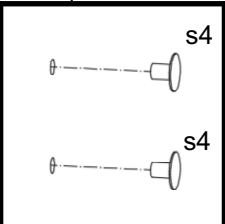
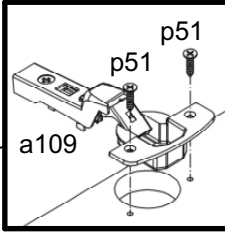
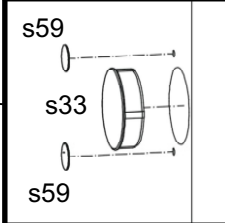
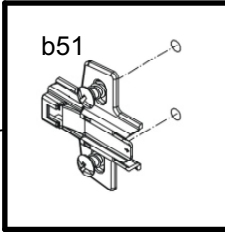
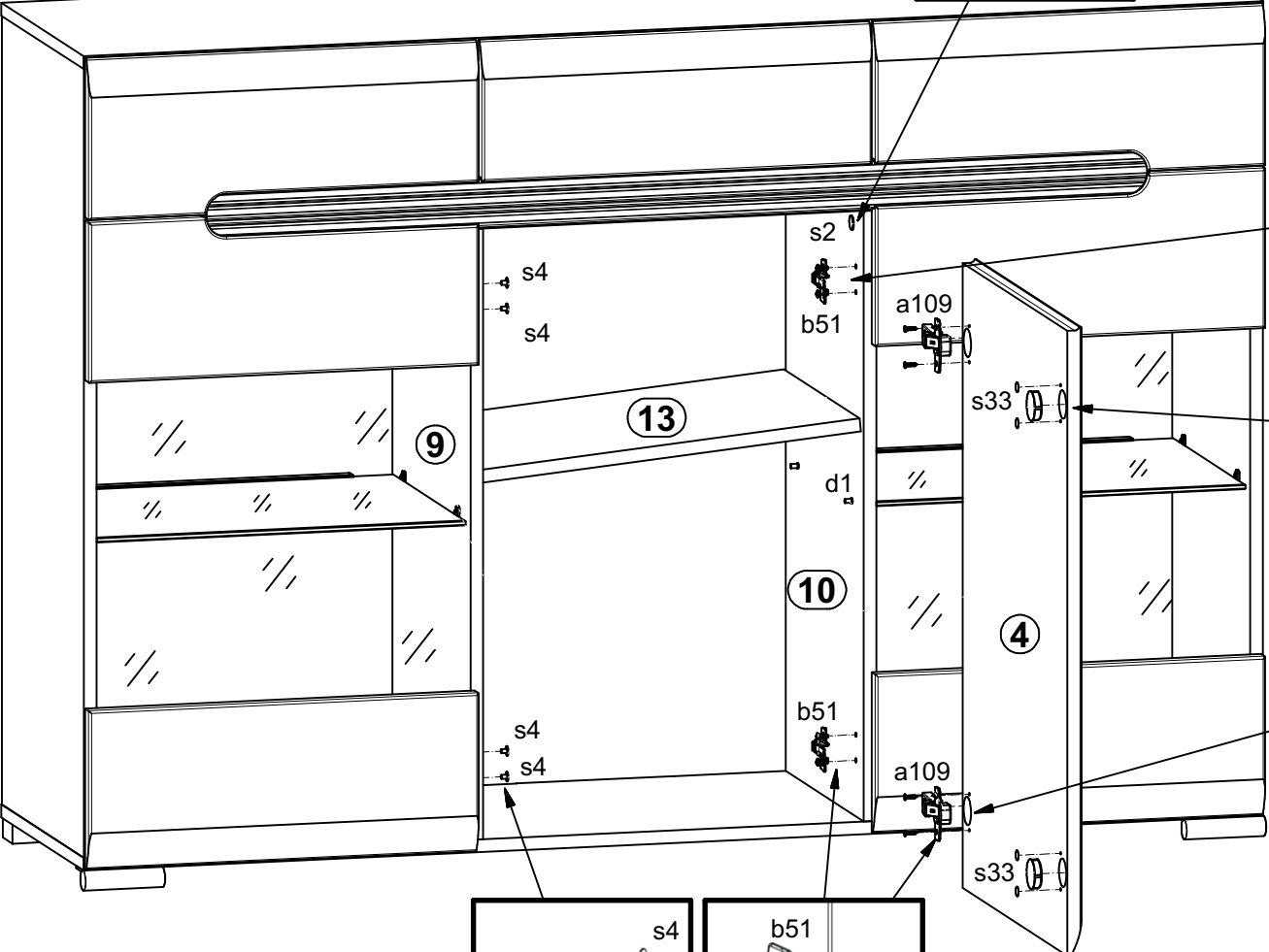
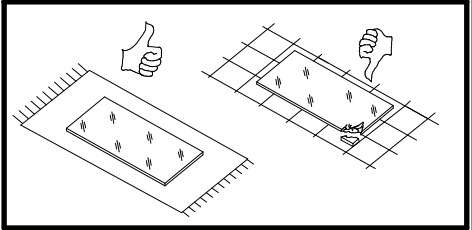
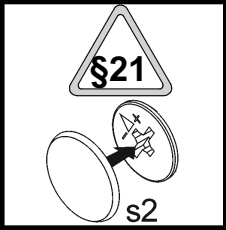
8



9



10



11

