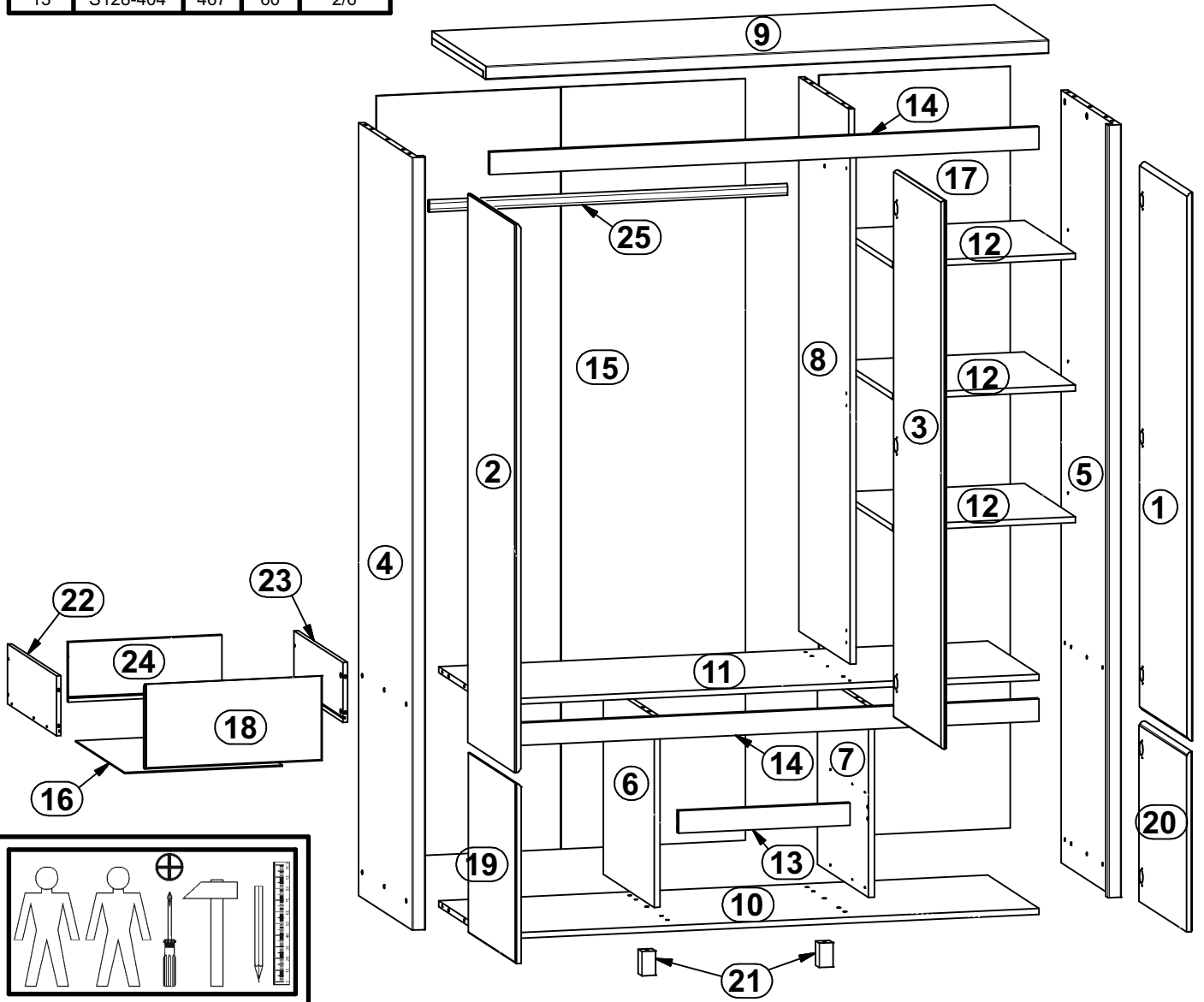
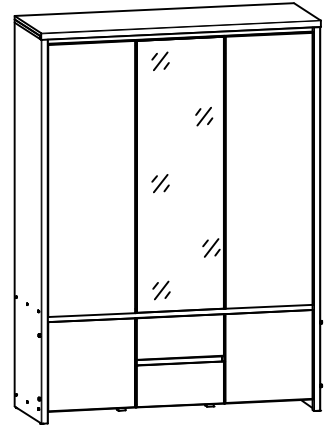


# KASPIAN 2

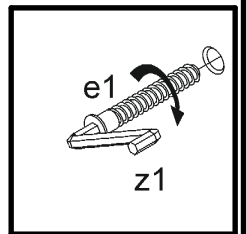
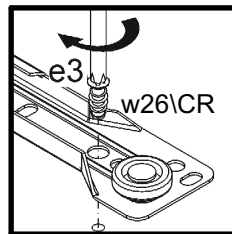
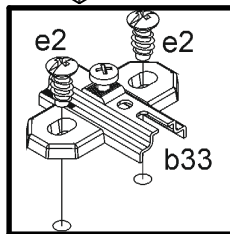
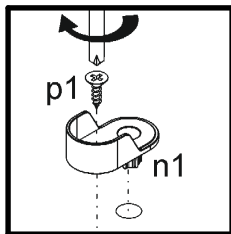
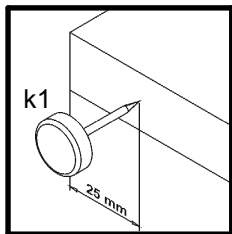
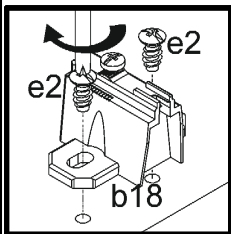
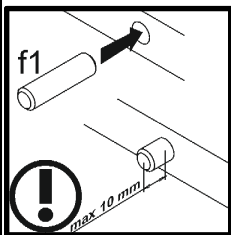
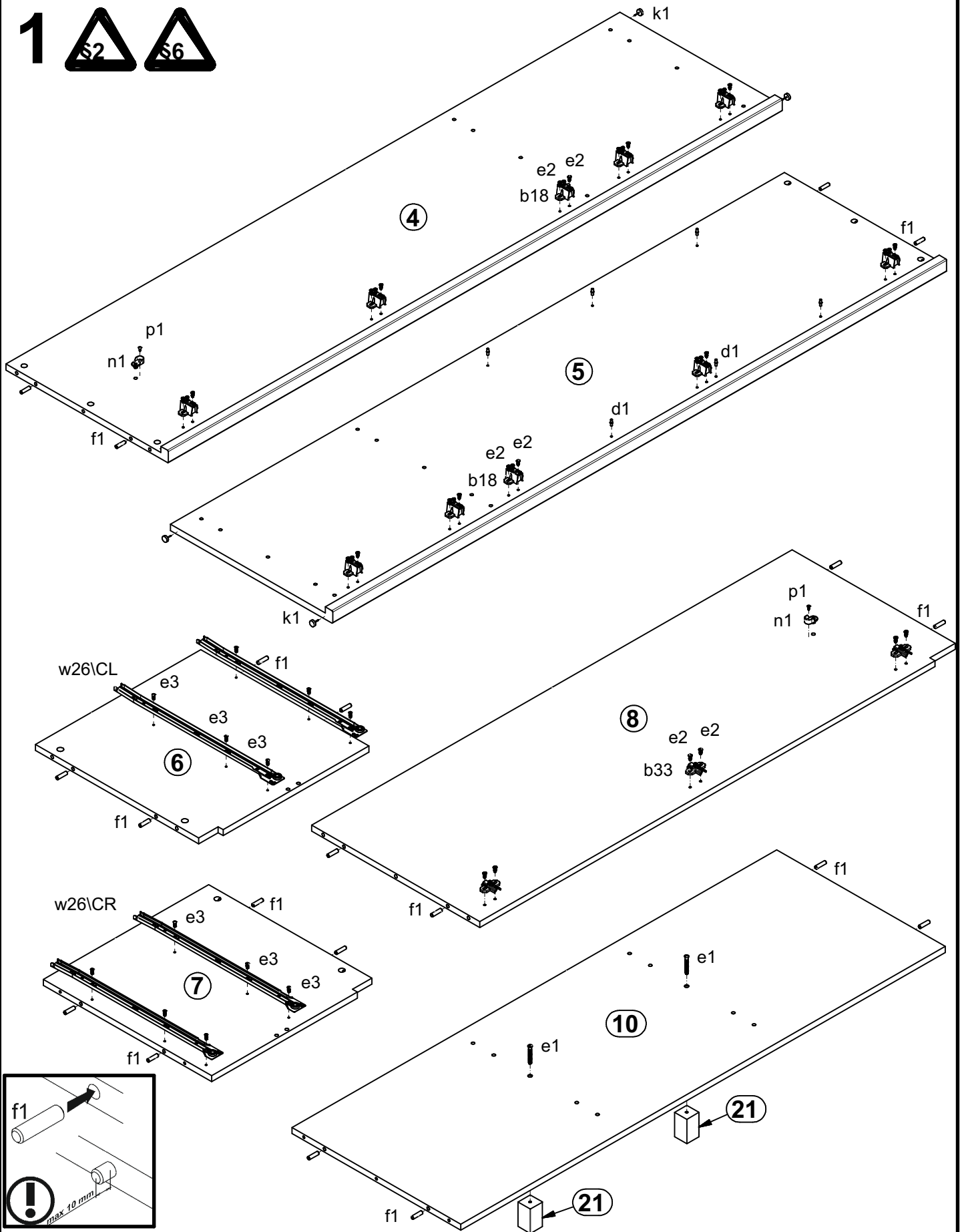
# S128-SZF5D2S

A	B	C	D	A	B	C	D		
1	S128-0011	1468	482	5/6	14	S128-407	1495	60	2/6
2	S128-0012	1468	482	5/6	15	S128-912	2037	1005	1/6
3	S128-0013A	1468	482	6/6	16	S128-9913	420	498	2/6
4	S128-117	2066	546	1/6	17	S128-914	2037	521	1/6
5	S128-118	2066	546	1/6	18	S128-071	482	227	4/6
6	S128-119	510	519	3/6	19	S83-011	482	482	4/6
7	S128-120	510	519	3/6	20	S83-012	482	482	4/6
8	S128-121	1482	519	2/6	21	ZN1-501	65	38	2/6
9	S128-207	1532	549	2/6	22	BP-505	500	160	3/6
10	S128-310	1495	520	2/6	23	BP-506	500	160	3/6
11	S128-311	1495	520	2/6	24	ZP-5506	410	160	3/6
12	S128-312	498	518	3/6	25	dr-975	975	30	2/6
13	S128-404	467	60	2/6					

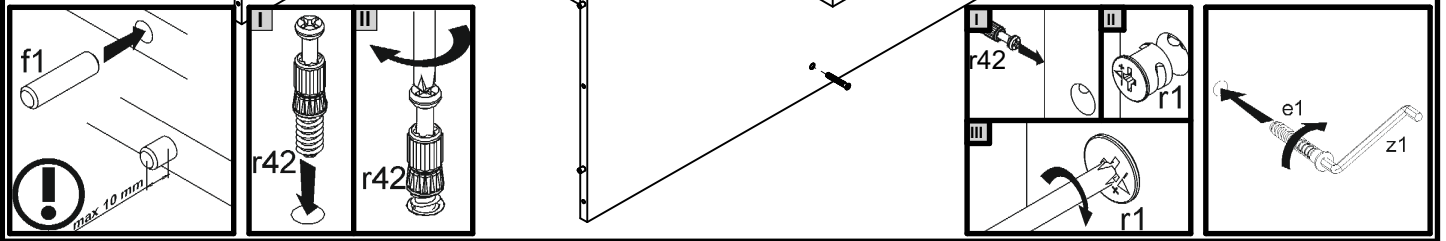


10x  a43	3x  a68	10x  b18	3x  b33	12x  φ5x17 mm d1	18x  φ7x50 mm e1	12x  φ5x9 mm e19	26x  φ6,3x13 mm e2	12x  φ6x13 mm e3
36x  φ8x30 mm f1	8x  φ6,5x40 mm f25	4x  k1	125  l1	2x  n1	2x  φ3,5x13 mm p1	26x  φ3,5x15 mm p51	24x  φ15x12 mm #16 r1	24x  r42
2x  500 mm w26\CL	2x  500 mm w26\CR	2x  500 mm w26\DL	2x  500 mm w26\DR	12x  s1	12x  φ16 s2	1x  z1	1x  n26\1	1x  φ3,5x16 mm p38

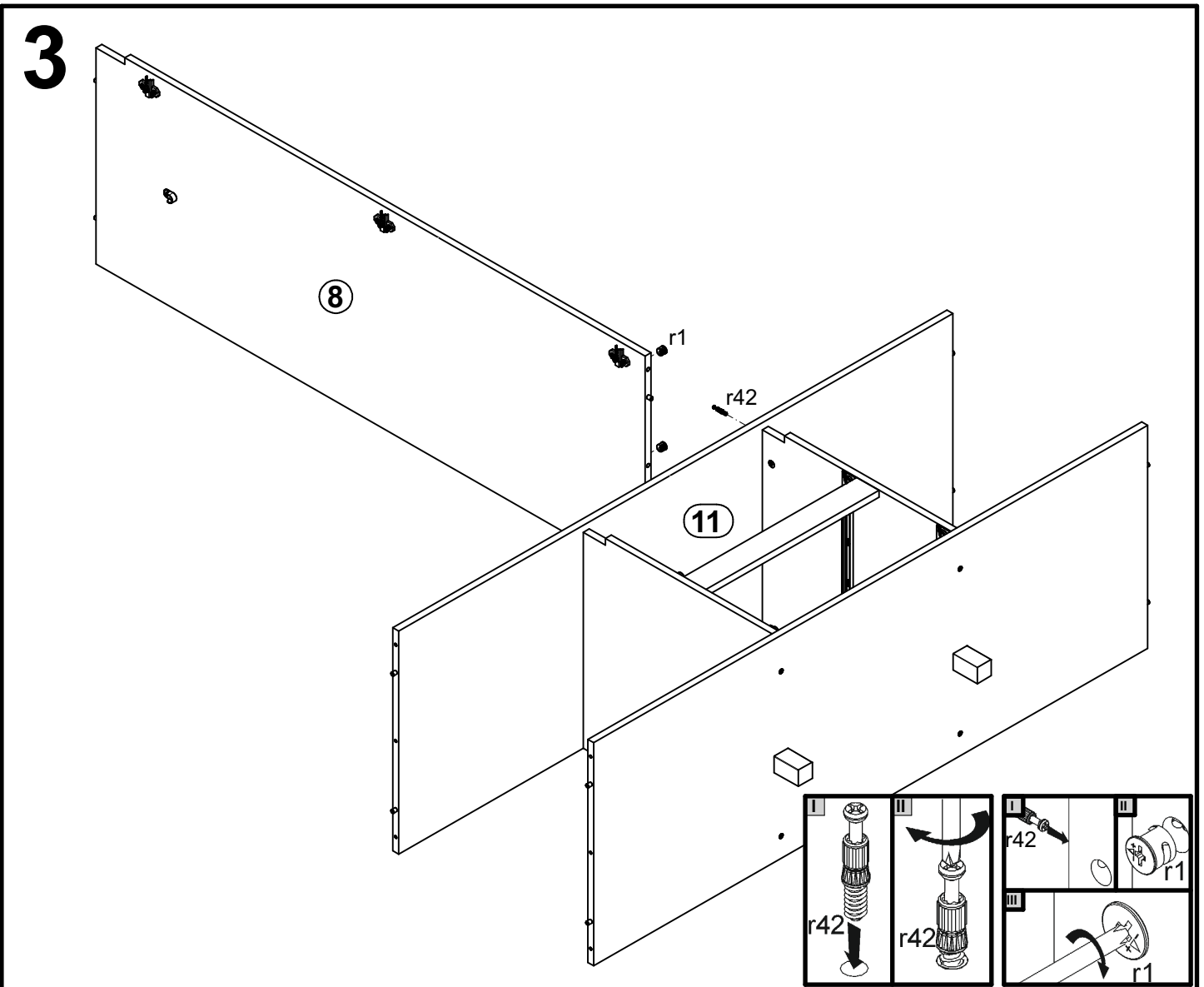
# 1



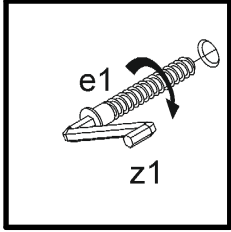
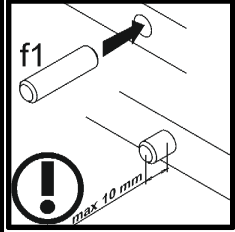
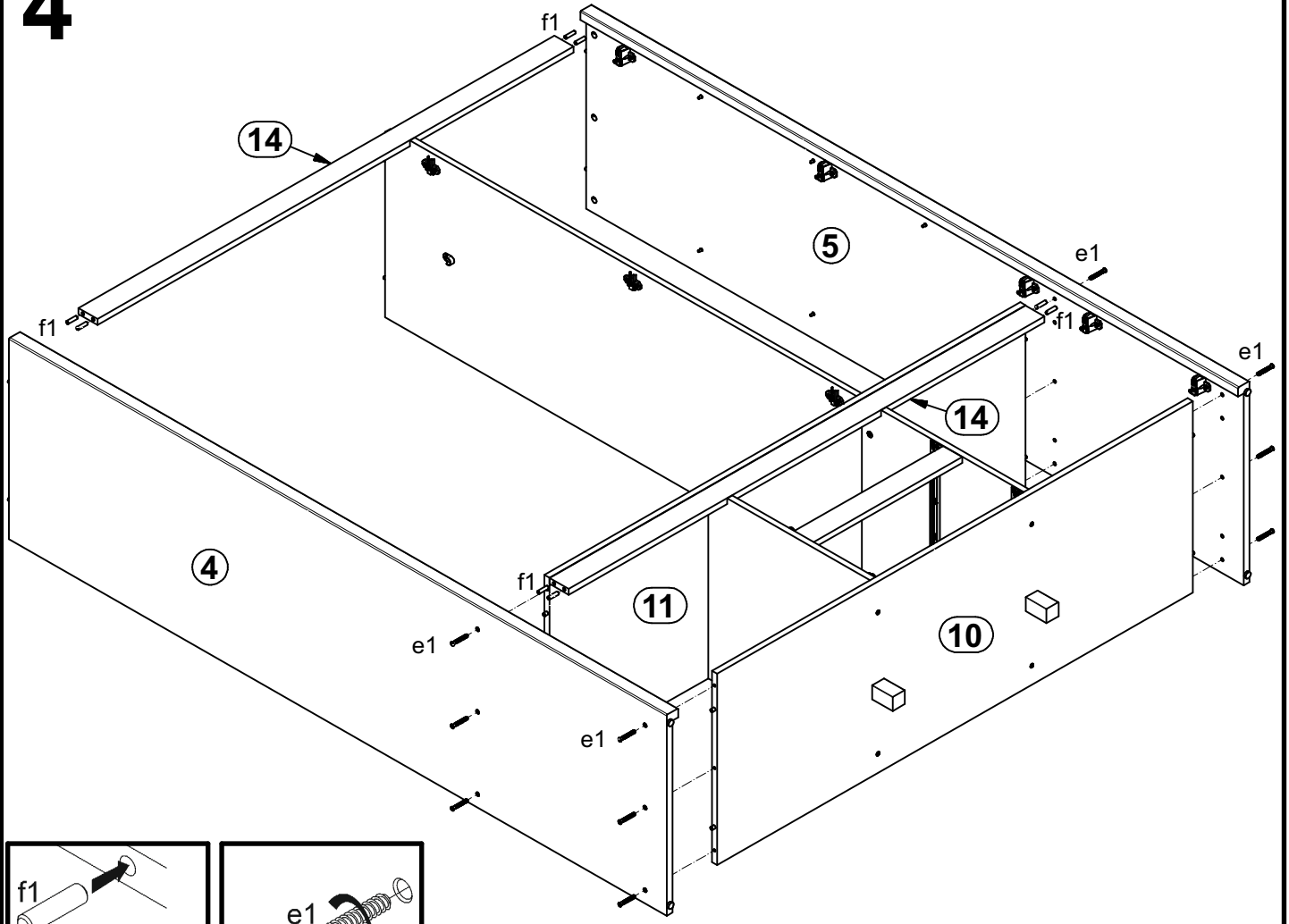
# 2



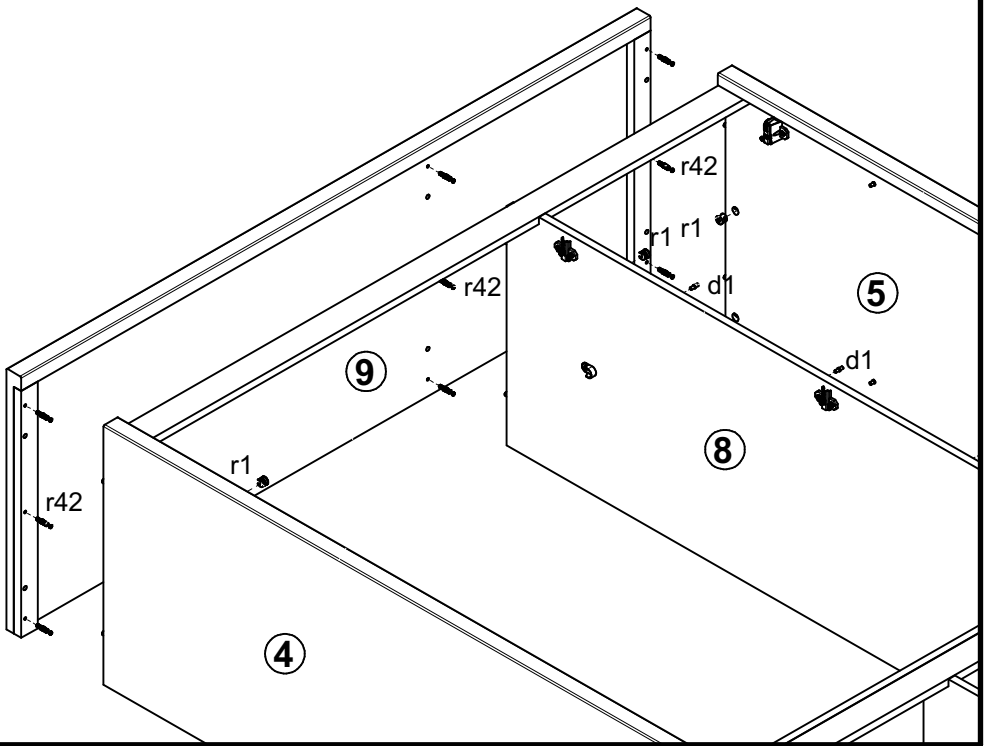
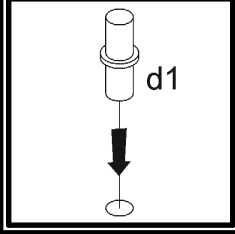
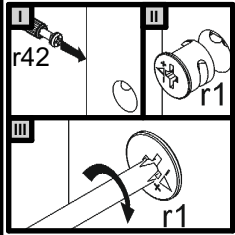
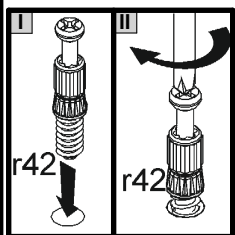
# 3



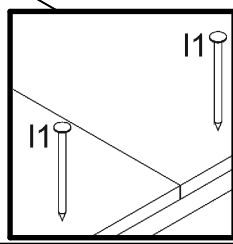
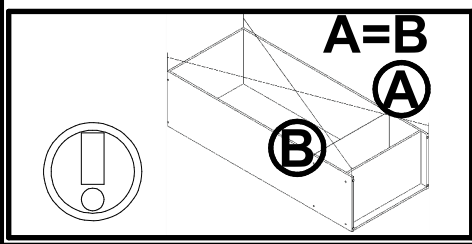
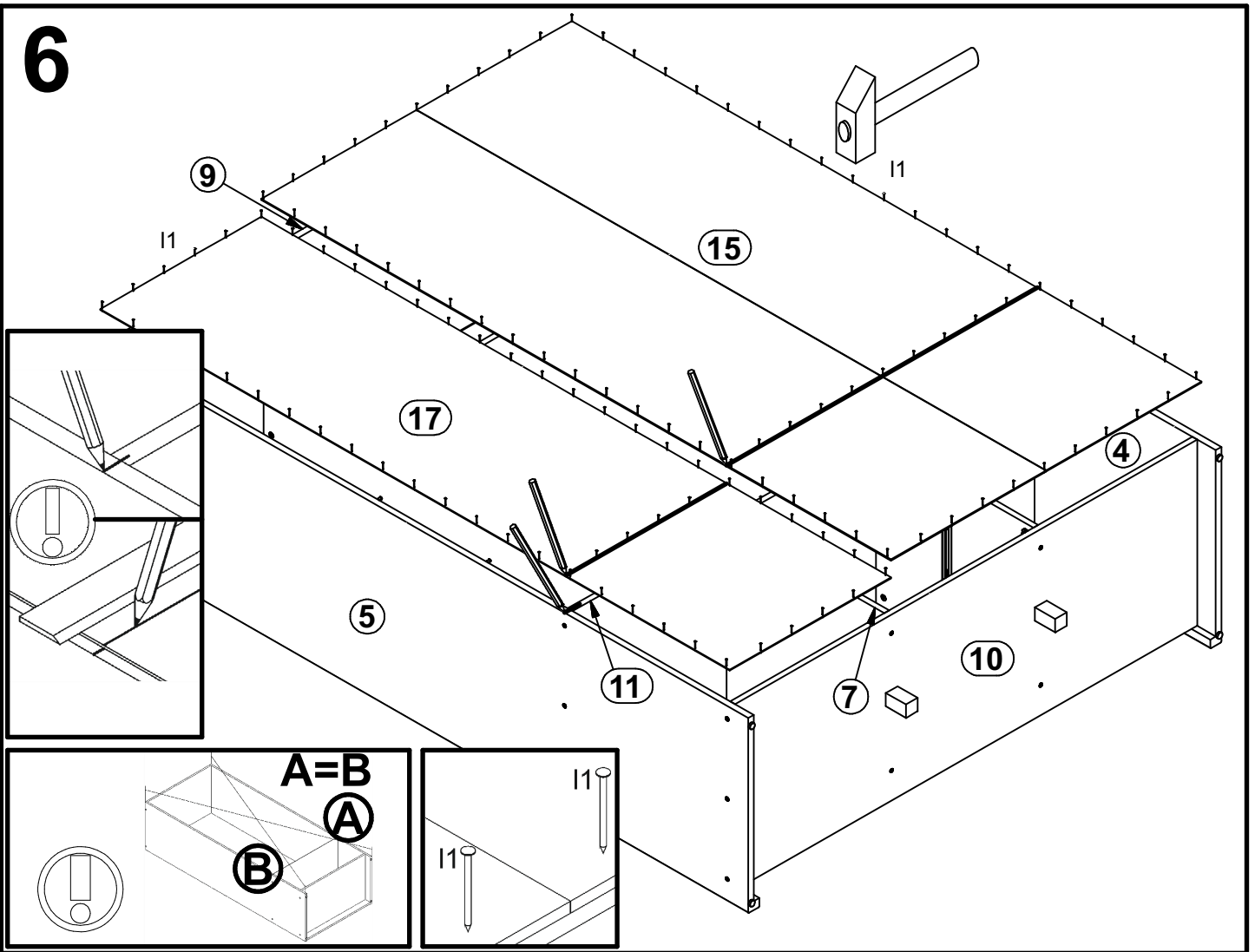
# 4



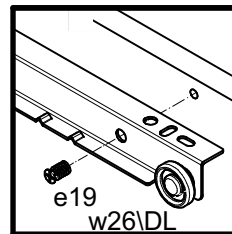
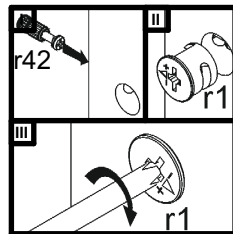
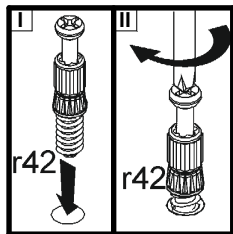
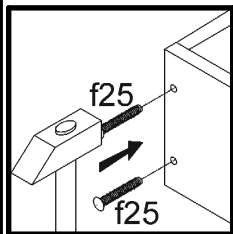
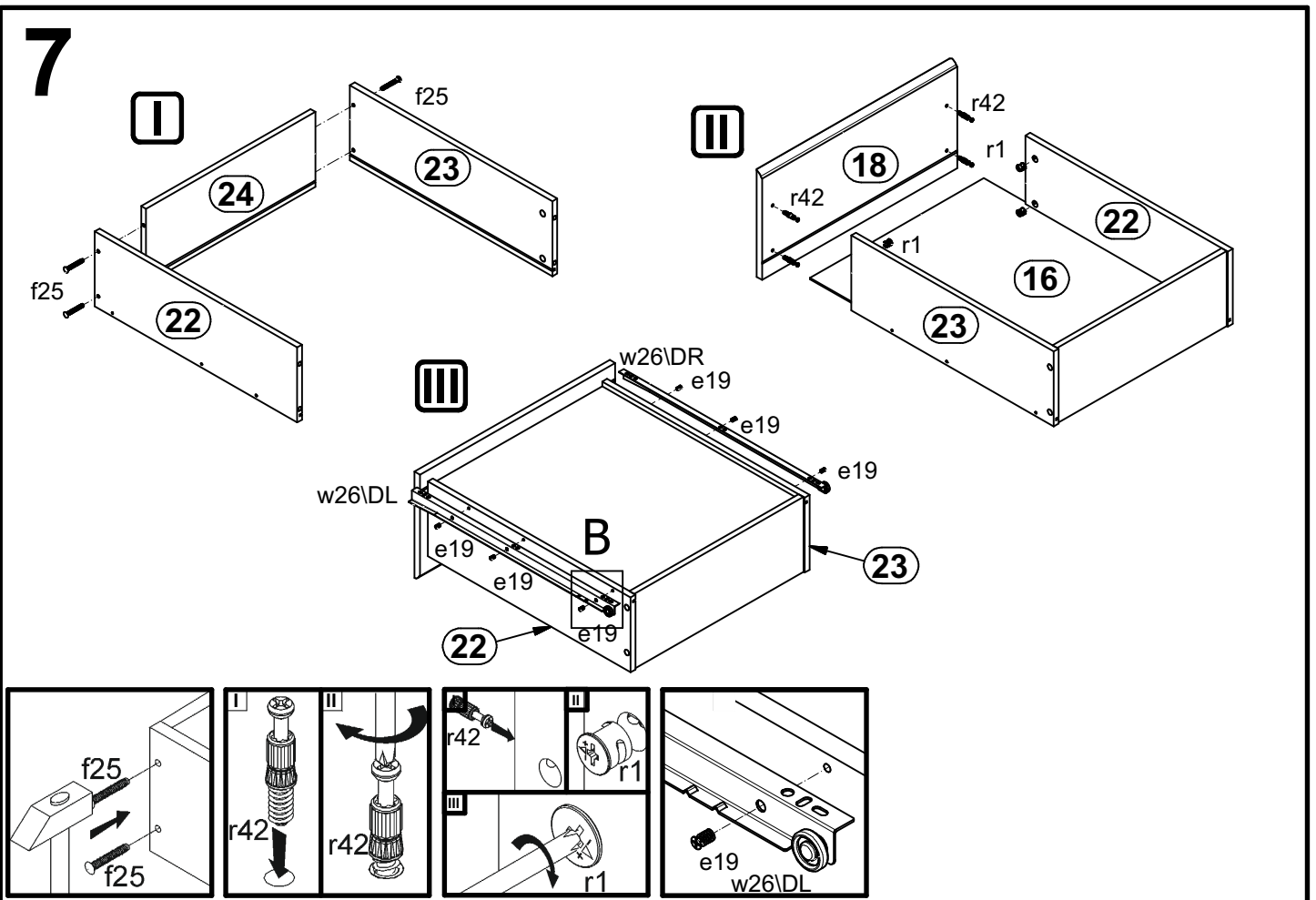
# 5



# 6



# 7



8

