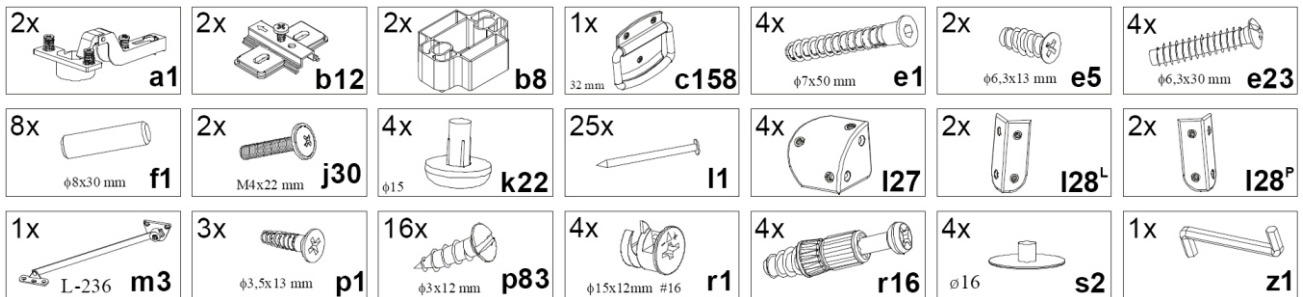
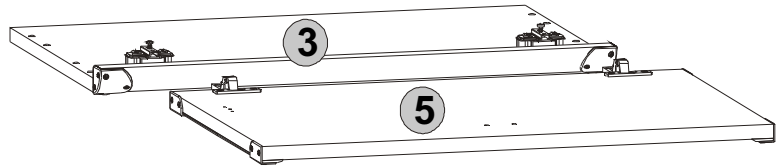
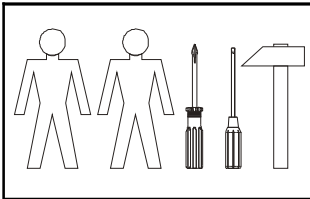
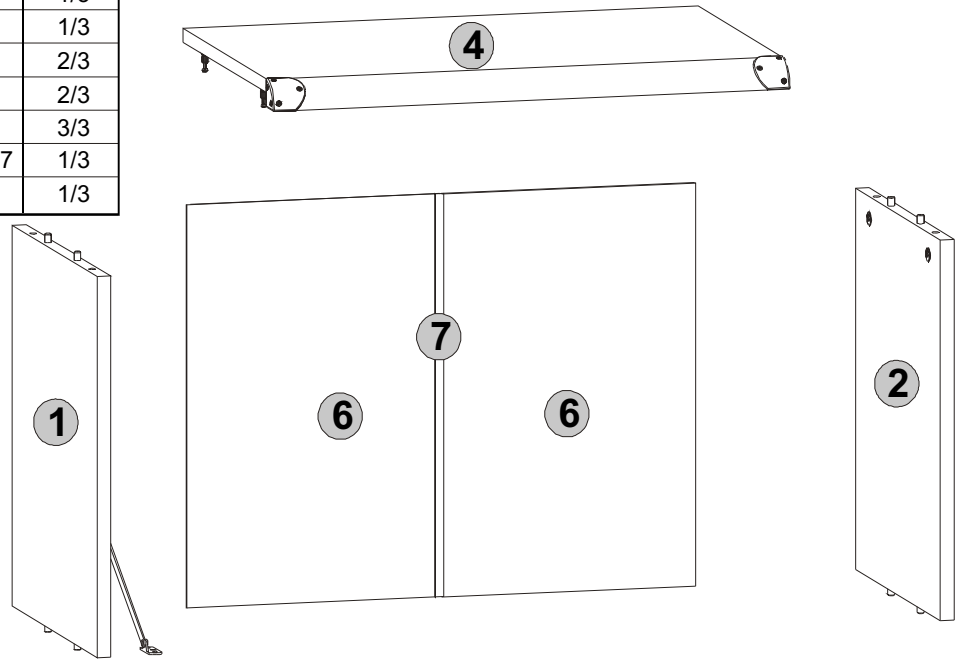


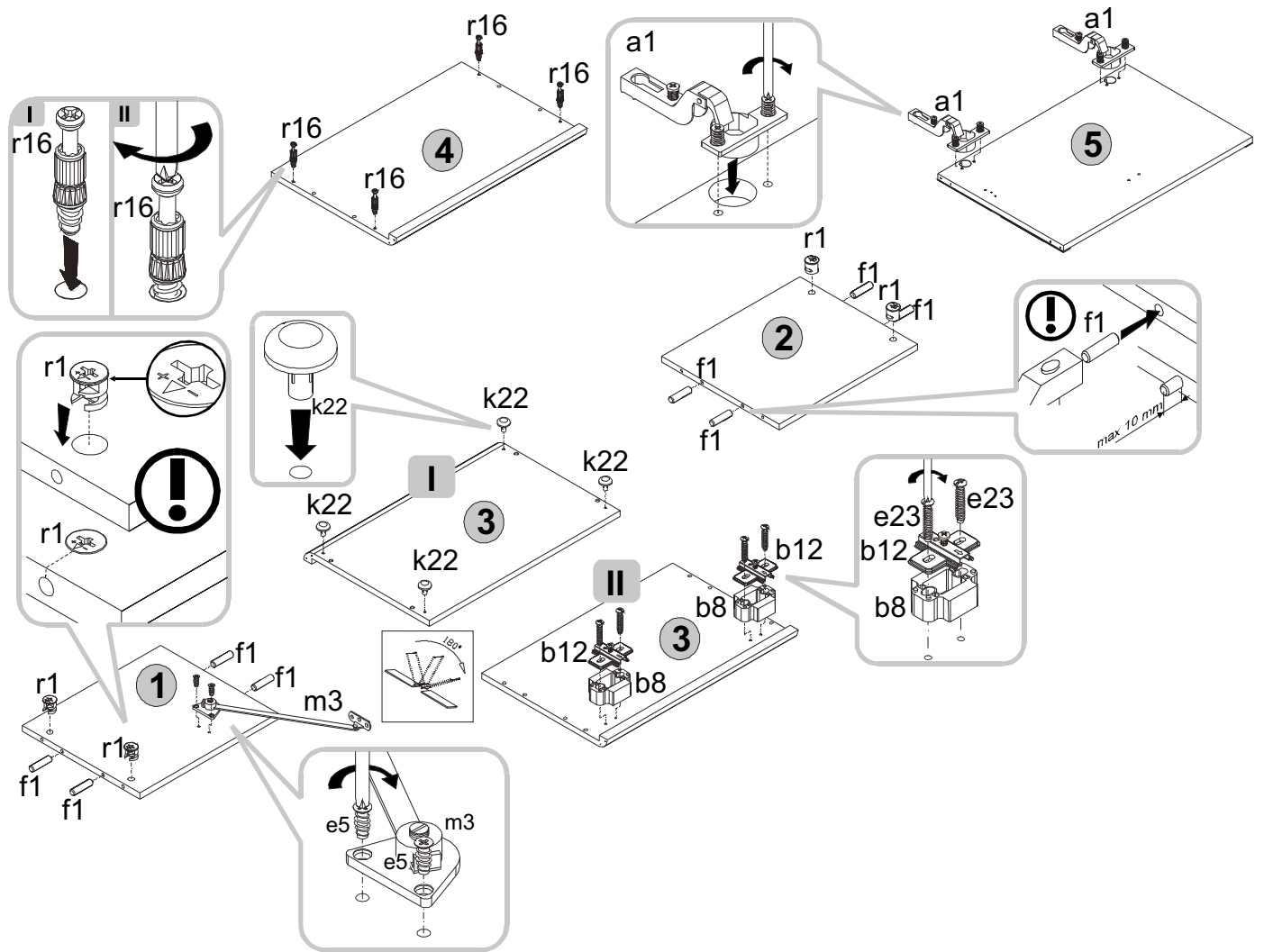
# INDIANA 2

JKOM 1k

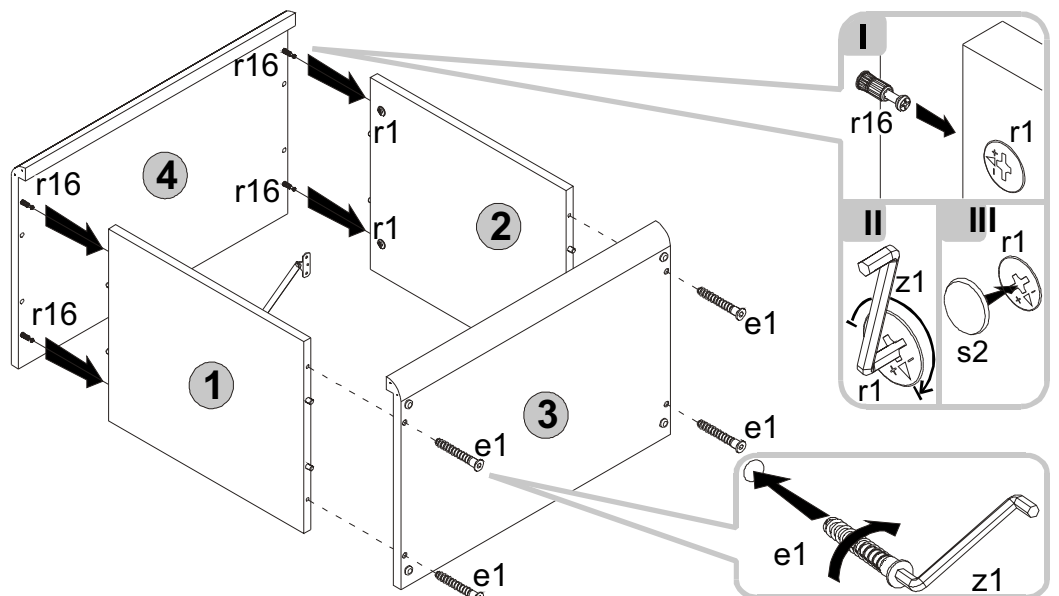
A	C	B	D
1	435x370	S31-152	1/3
2	435x370	S31-153	1/3
3	600x395	S31-210	2/3
4	600x395	S31-212	2/3
5	596x395	S31-031	3/3
6	460x296	S31-1907	1/3
7	430x14	Lh-430	1/3



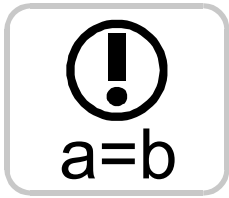
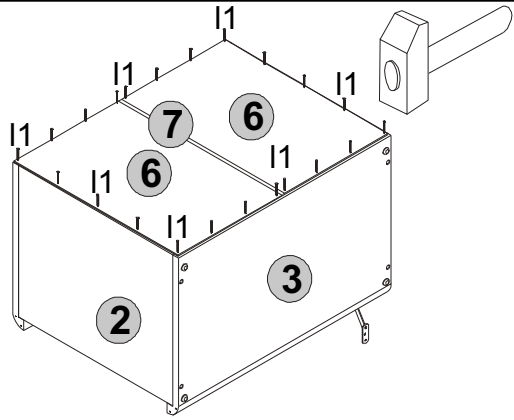
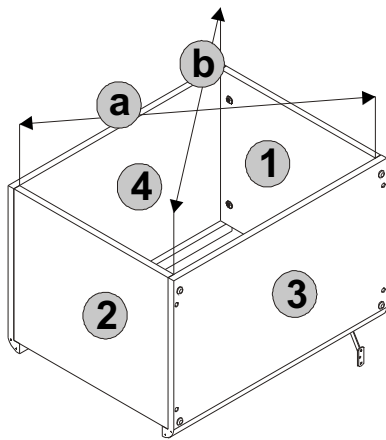
# 1



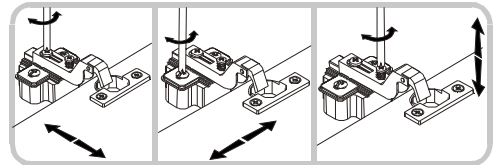
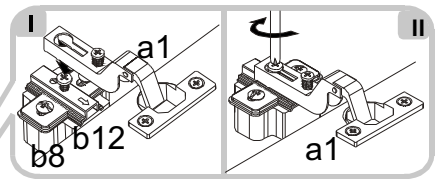
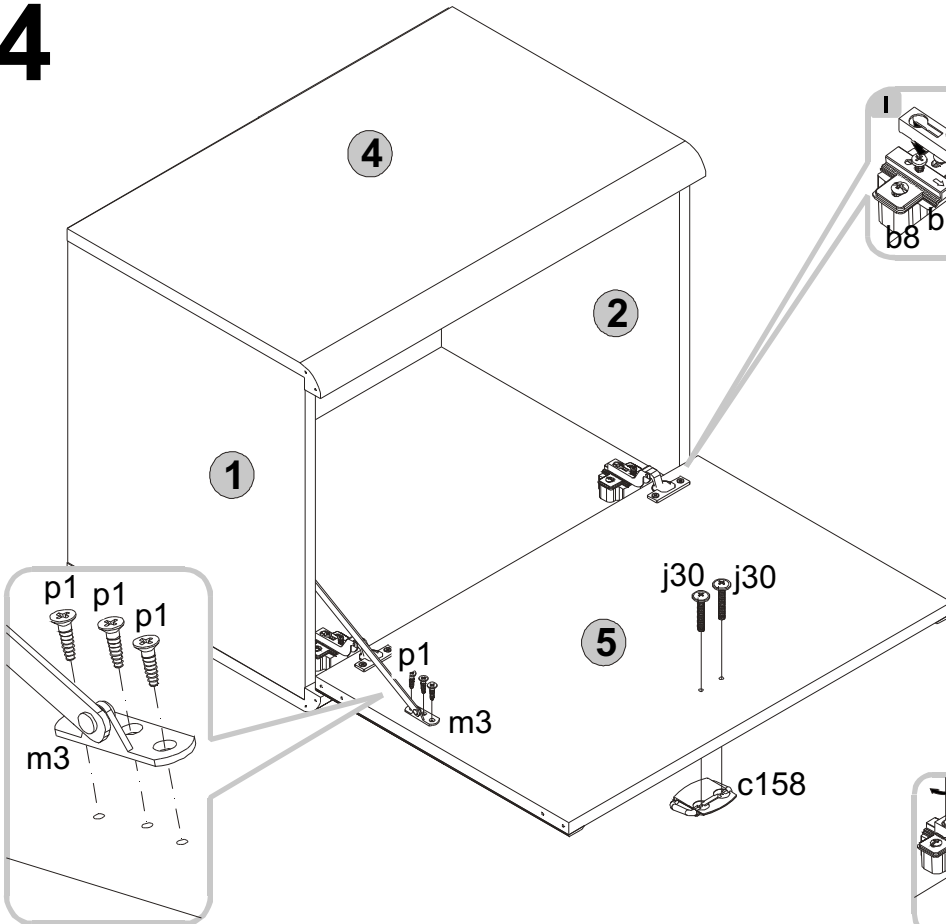
# 2



# 3



# 4



# 5

