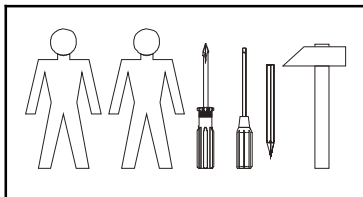
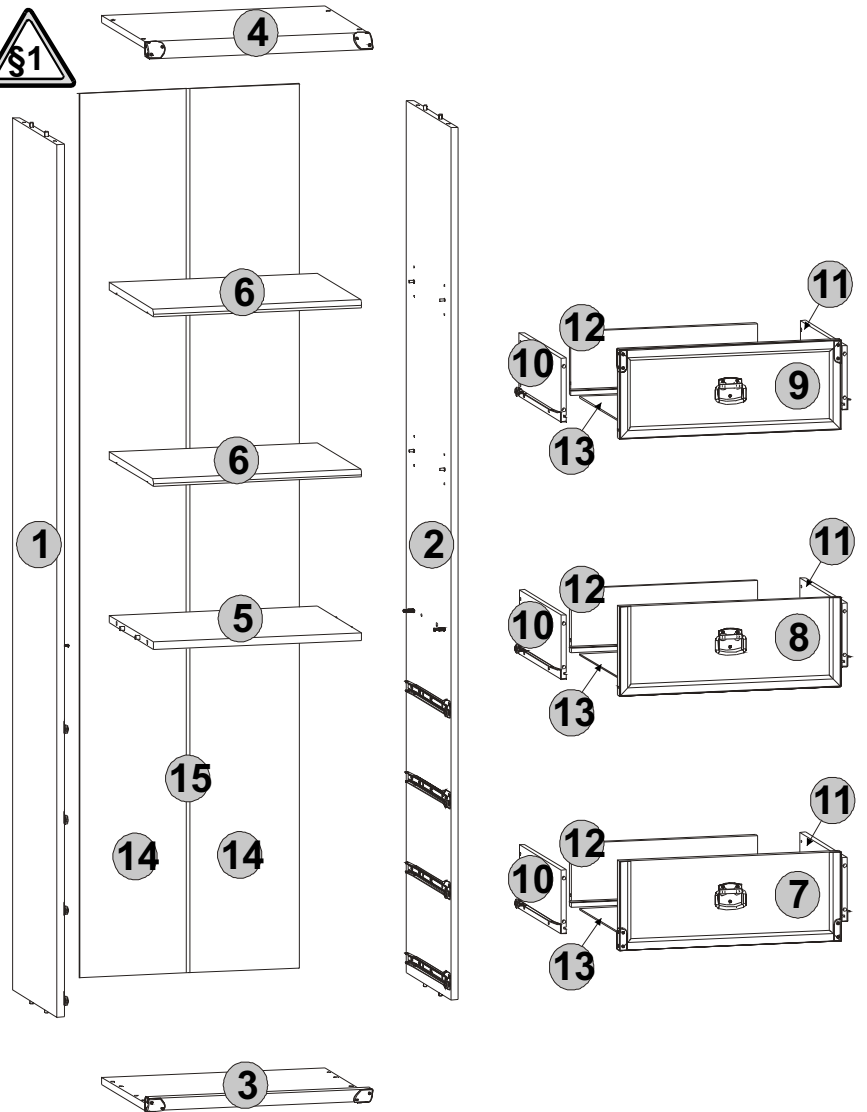


# INDIANA 2

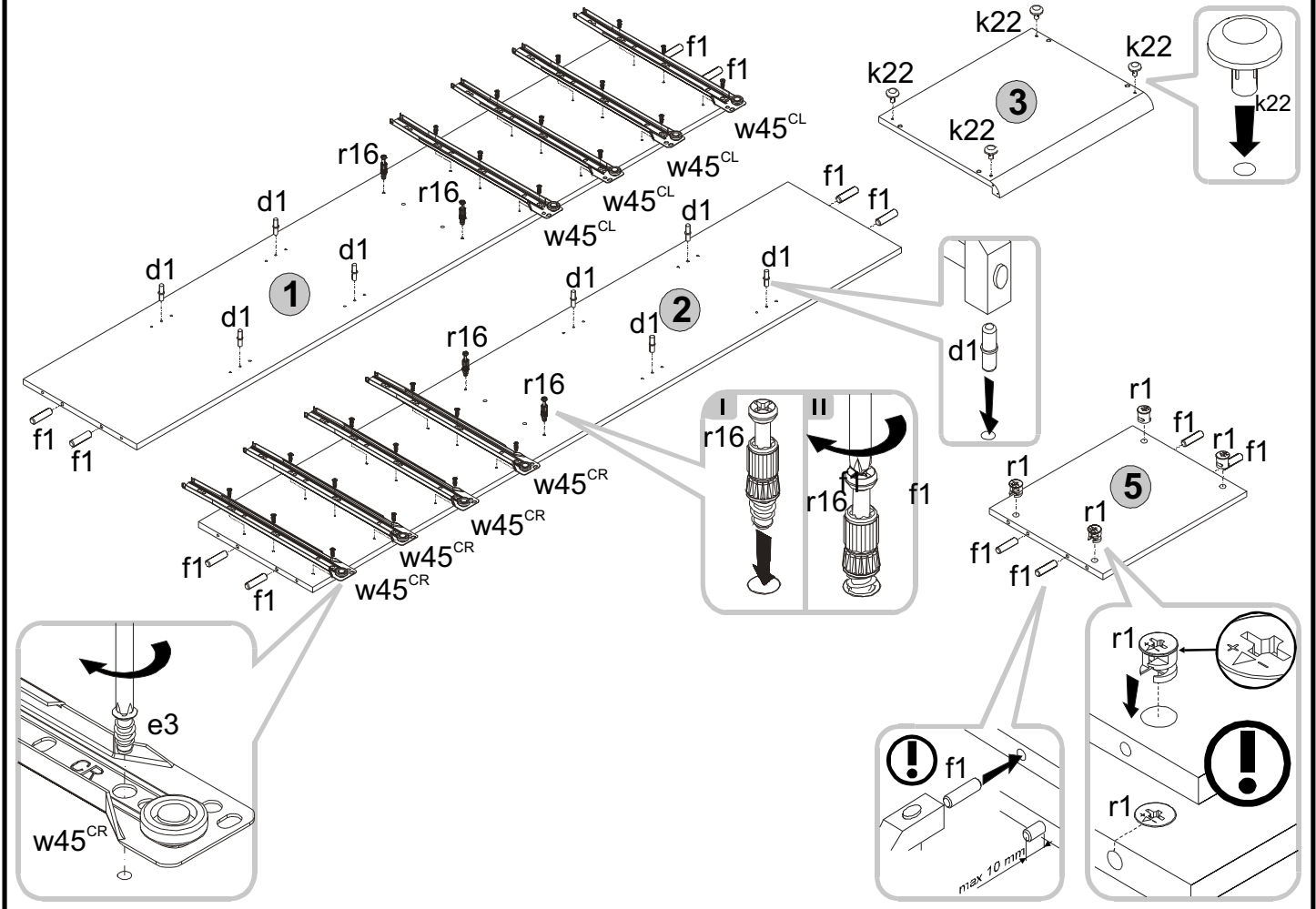
JREG 4so/50

A	C	B	D
1	1916x370	S31-111	1/3
2	1916x370	S31-112	1/3
3	500x395	S31-204	2/3
4	500x395	S31-209	2/3
5	467x370	S31-303	1/3
6	467x370	S31-304	1/3
7	496x196	S31-0011	3/3
8	496x196	S31-0012	3/3
9	496x196	S31-0008	3/3
10	350x140	S31-5504	1/3
11	350x140	S31-5505	1/3
12	410x140	S31-5506	1/3
13	420x348	S31-9903	1/3
14	1942x246	S31-1911	1/3
15	1912x14	Lh-1912	1/3

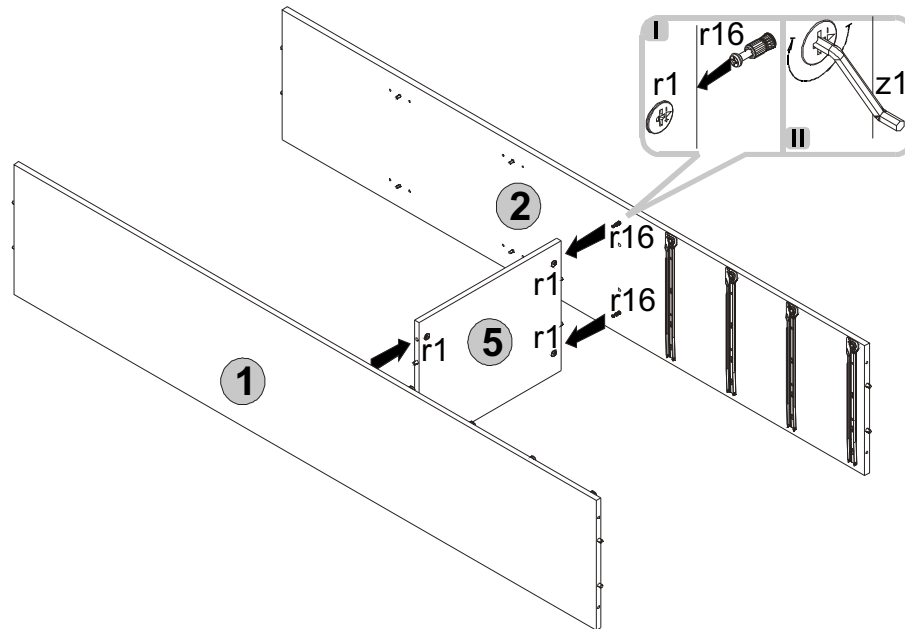


8x  φ5x17 mm <b>d1</b>	8x  φ7x50 mm <b>e1</b>	24x  φ6x13 mm <b>e3</b>	16x  φ5x9 mm <b>e19</b>	12x  φ8x30 mm <b>f1</b>	16x  φ6.5x40 mm <b>f25</b>	4x  32 mm <b>c158</b>	8x  M4x22 mm <b>j30</b>
4x  φ15 <b>k22</b>	60x  <b>l1</b>	4x  <b>l27</b>	2x  <b>l28<sup>L</sup></b>	2x  <b>l28<sup>P</sup></b>	16x  φ3x12 mm <b>p83</b>	20x  φ15x12mm #16 <b>r1</b>	
20x  <b>r16</b>	4x  350 mm <b>w45<sup>CL</sup></b>	4x  350 mm <b>w45<sup>CR</sup></b>	4x  350 mm <b>w45<sup>DL</sup></b>	4x  350 mm <b>w45<sup>DR</sup></b>	1x  <b>z1</b>		

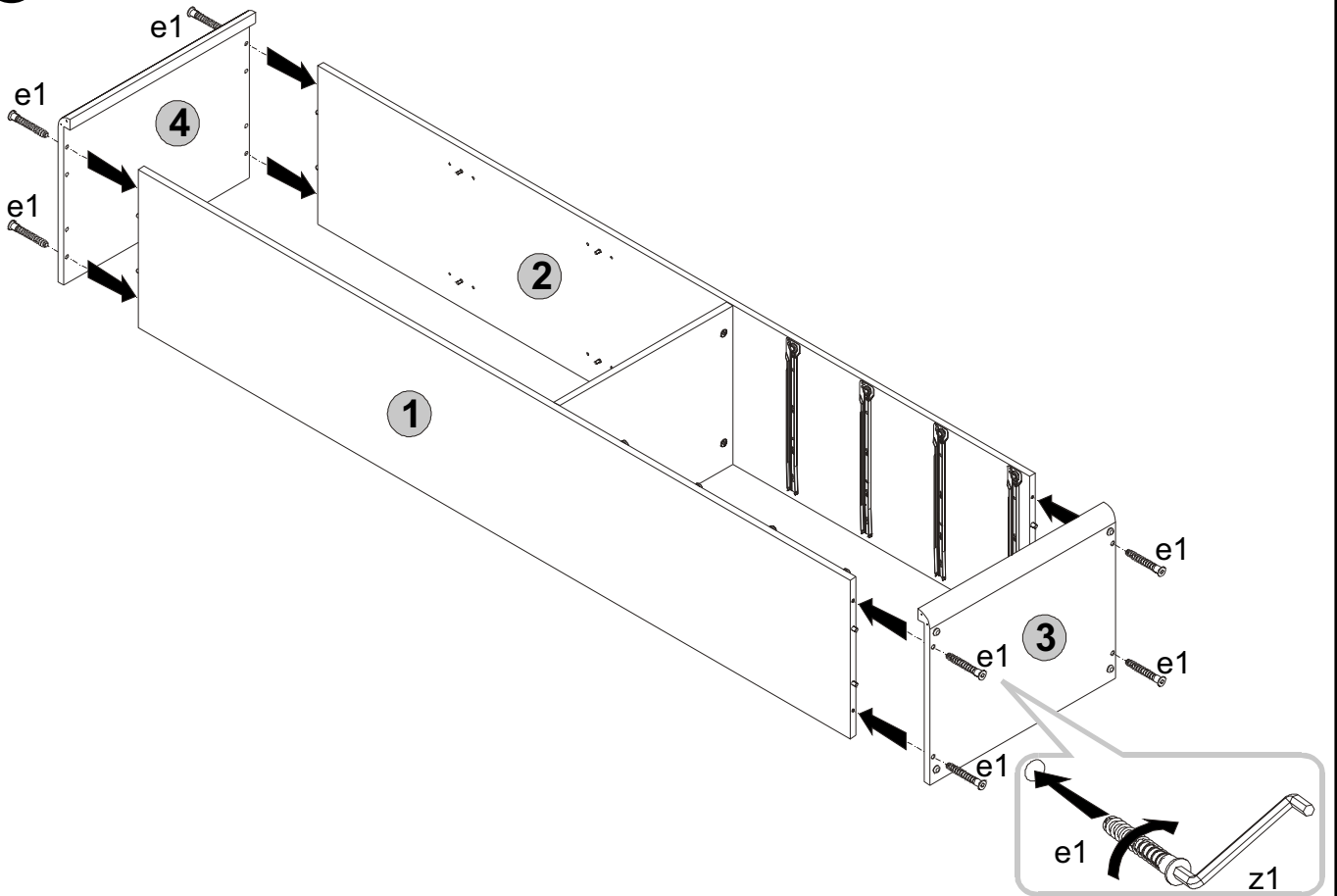
# 1



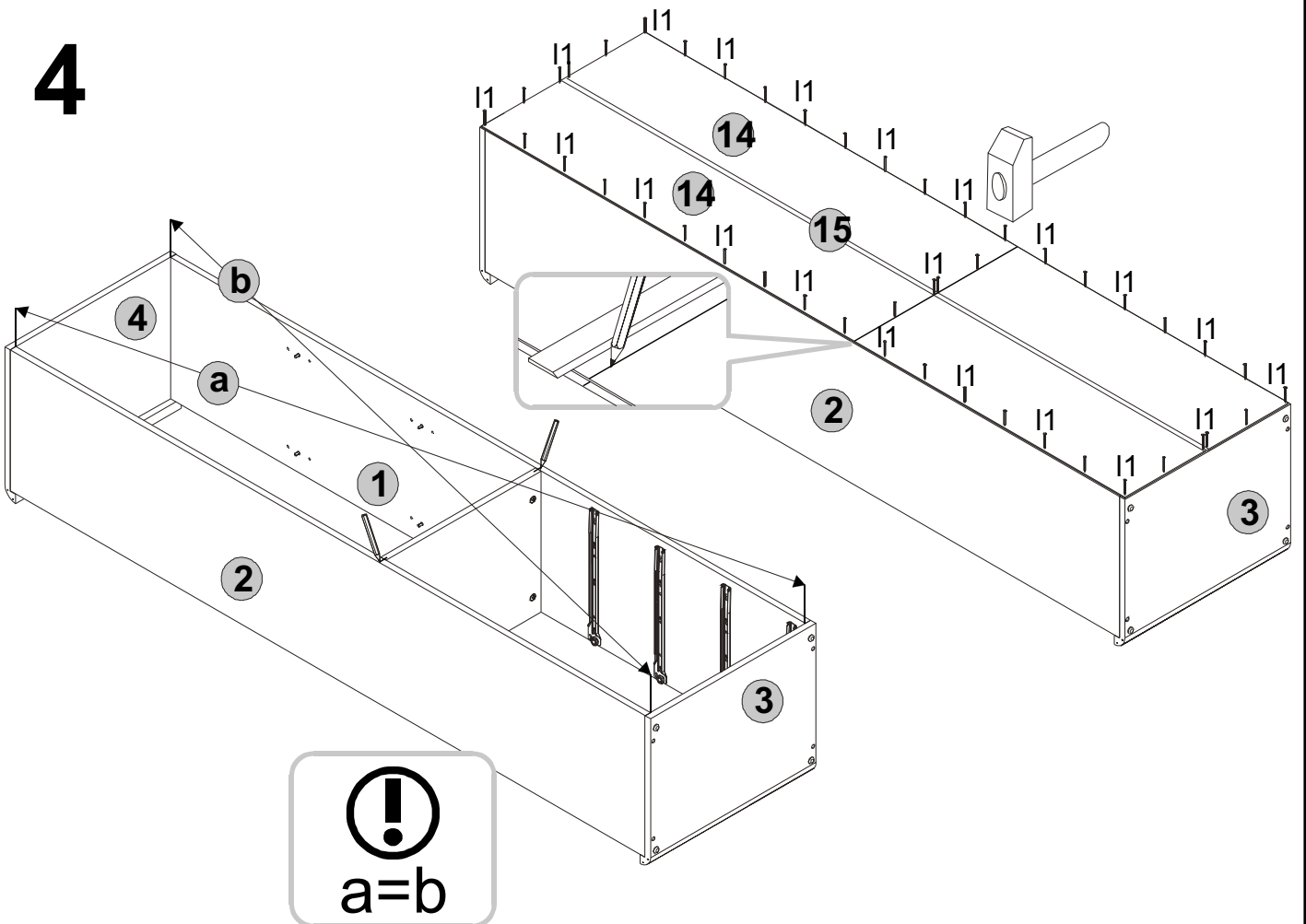
# 2



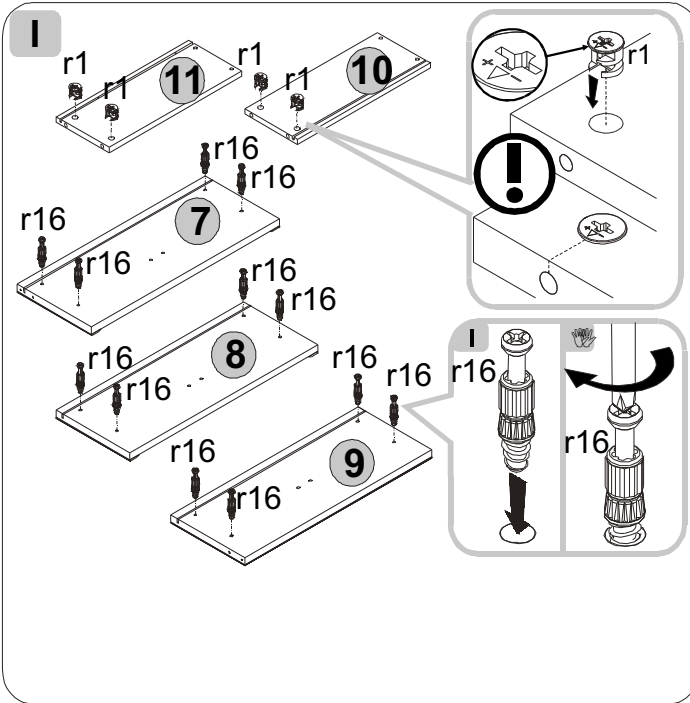
# 3



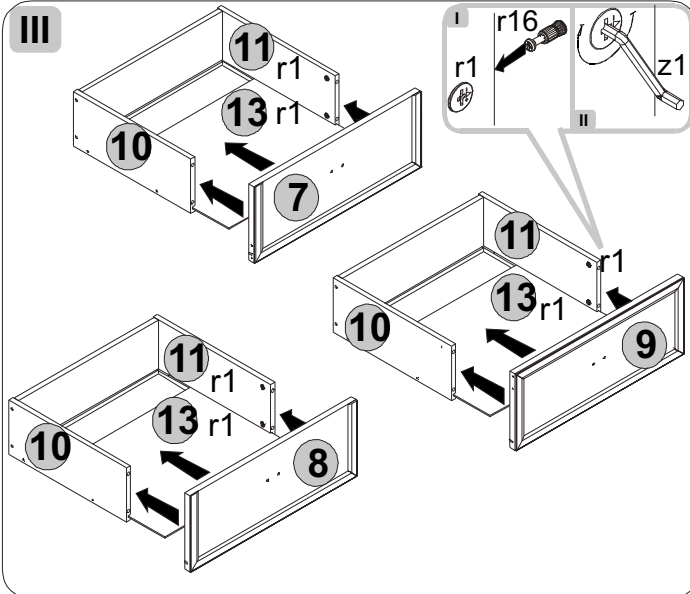
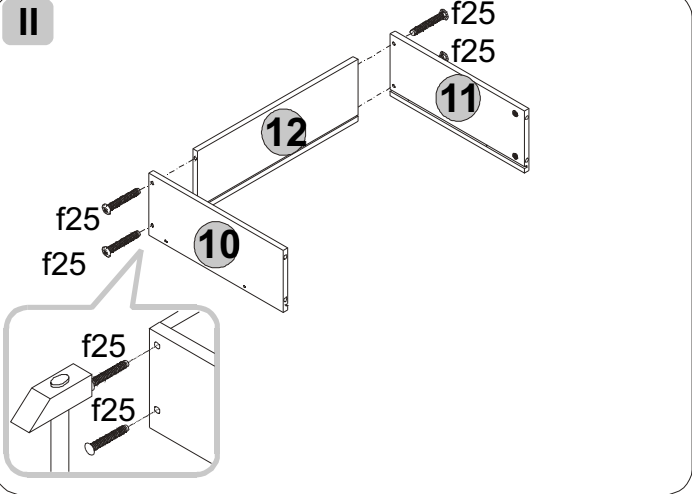
# 4



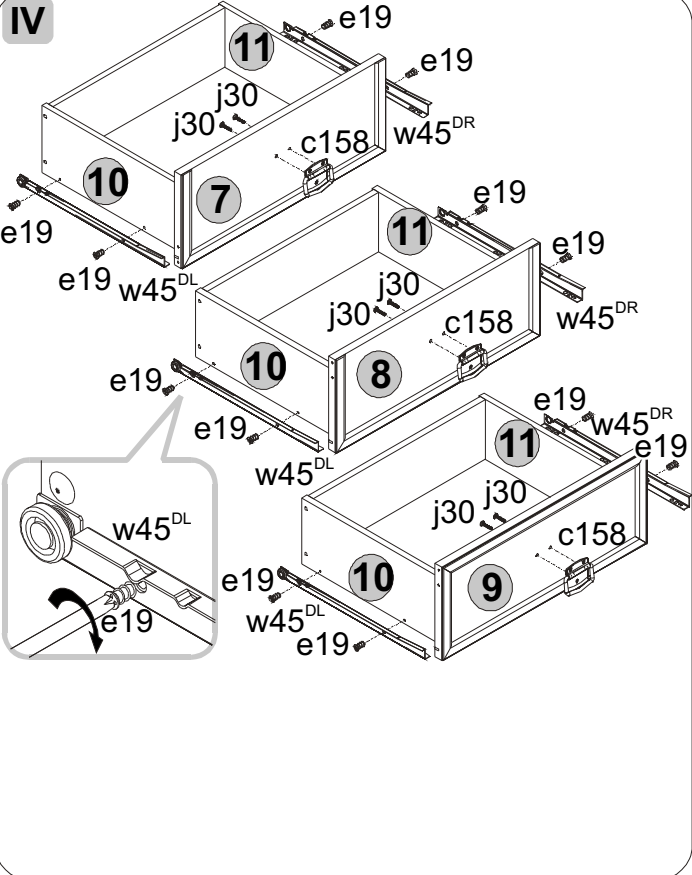
# 5



# II



# IV



# 6

