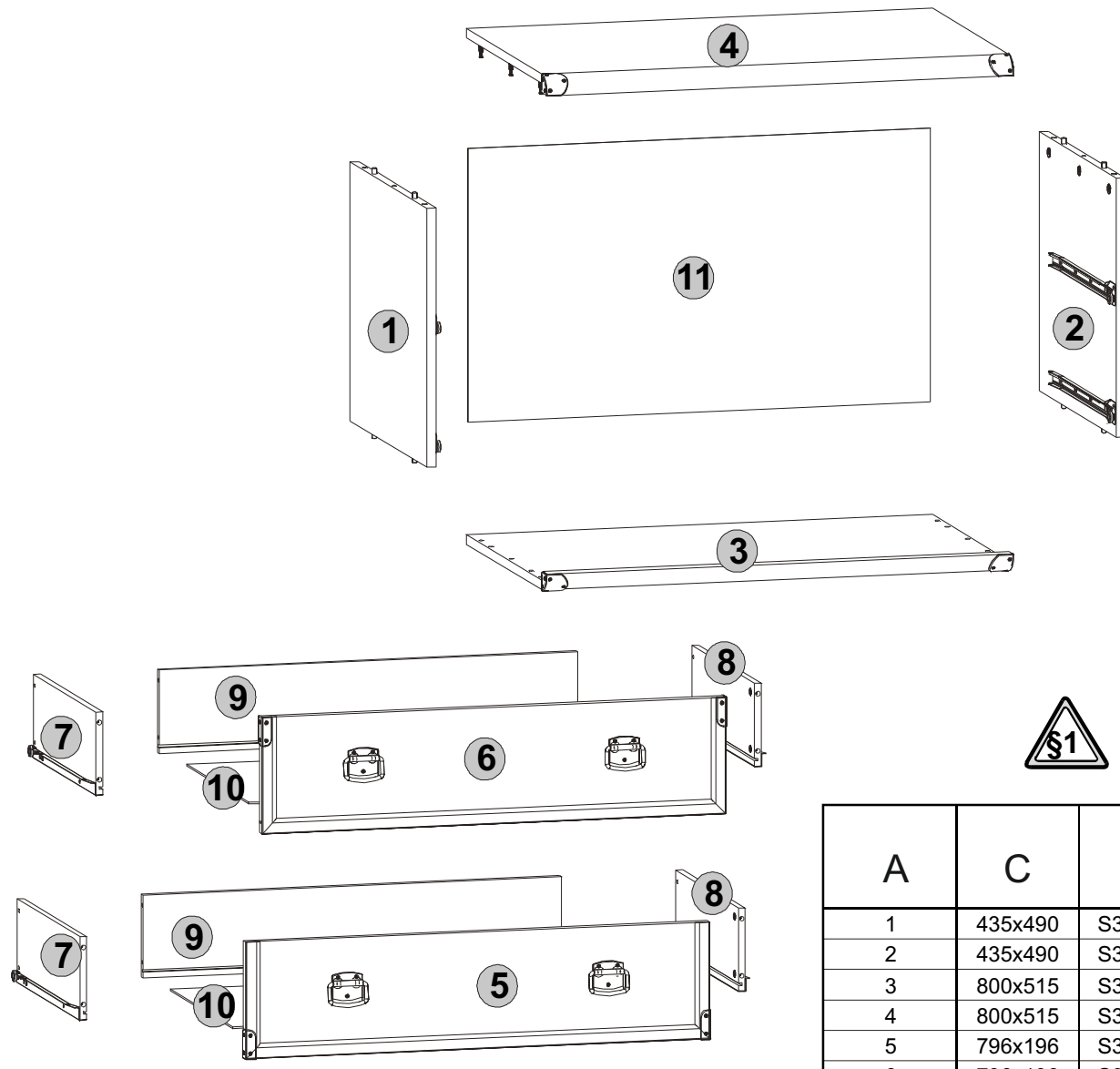
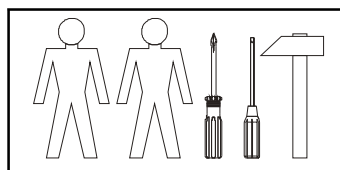


INDIANA 2

JRTV 2s

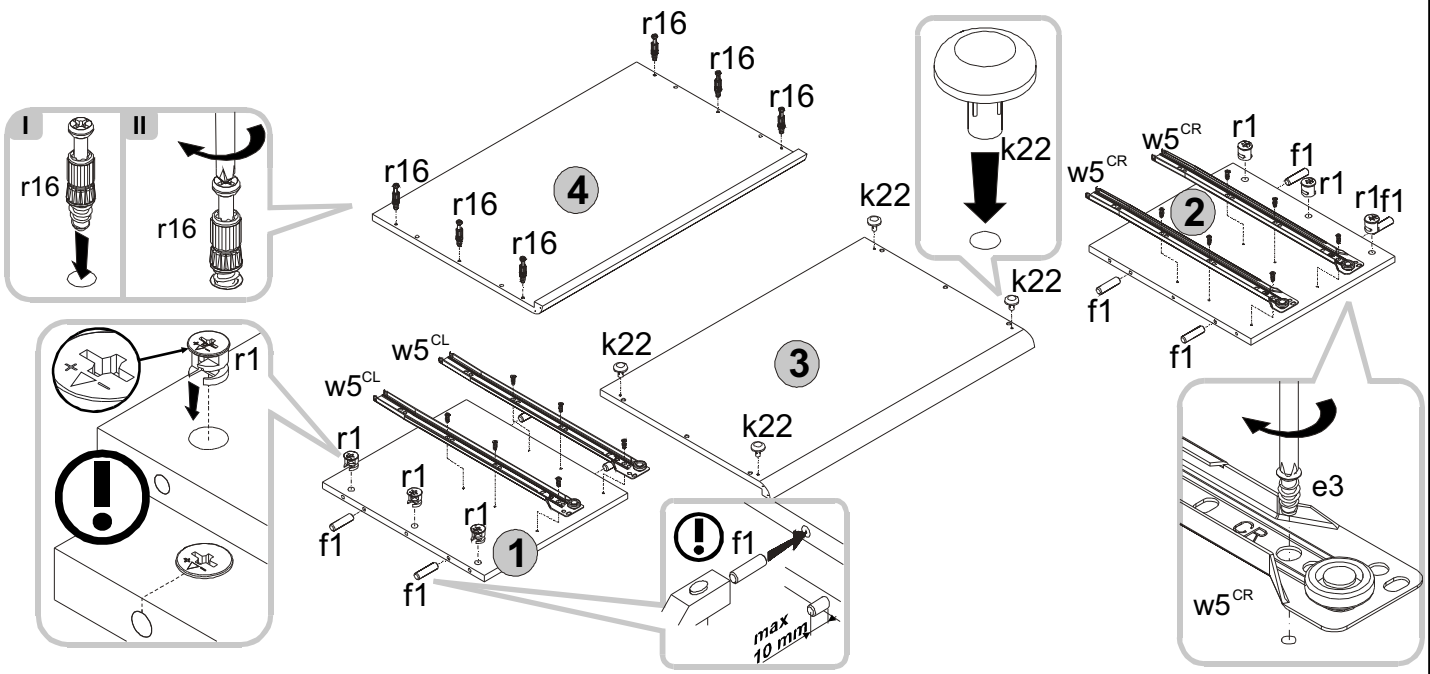


	A	C	B	D
1		435x490	S31-105	1/3
2		435x490	S31-106	1/3
3		800x515	S31-224	2/3
4		800x515	S31-225	2/3
5		796x196	S31-0002	3/3
6		796x196	S31-0003	3/3
7		400x140	S31-5507	1/3
8		400x140	S31-5508	1/3
9		710x140	S31-5503	1/3
10		720x398	S31-9923	1/3
11		460x793	S31-924	1/3

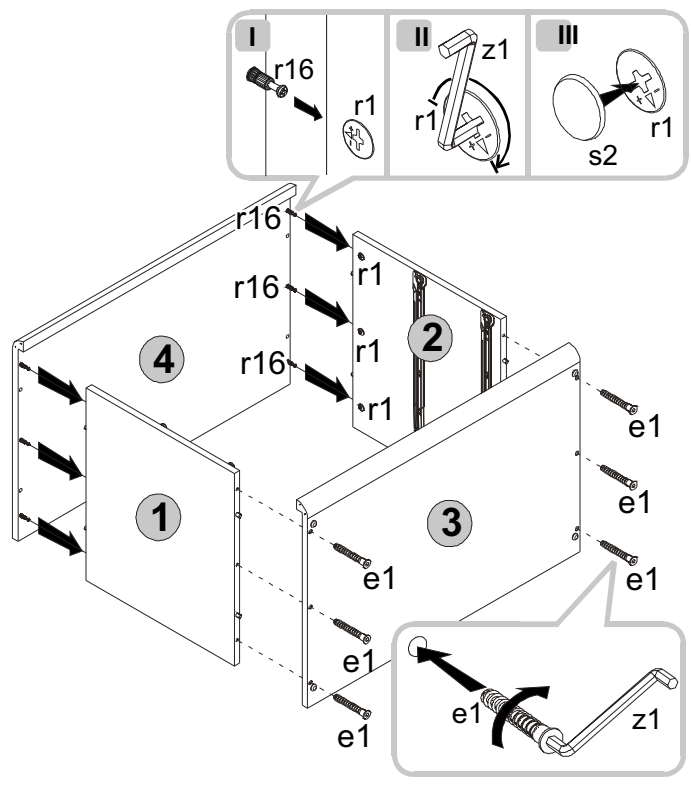


4x 32 mm c158	6x φ7x50 mm e1	8x φ5x9 mm e19	12x φ6x13 mm e3	8x φ8x30 mm f1	8x φ6.5x40 mm f25
8x M4x22 mm j30	4x φ15 k22	30x l1	4x l27	2x l28^L	2x l28^P
4x φ3.5x16 mm p25	16x φ3x12 mm p83	14x φ15x12mm #16 r1	14x r16	2x φ16 s2	1x z1
2x 383 mm t14	2x 400 mm w5^{CL}	2x 400 mm w5^{CR}	2x 400 mm w5^{DL}	2x 400 mm w5^{DR}	

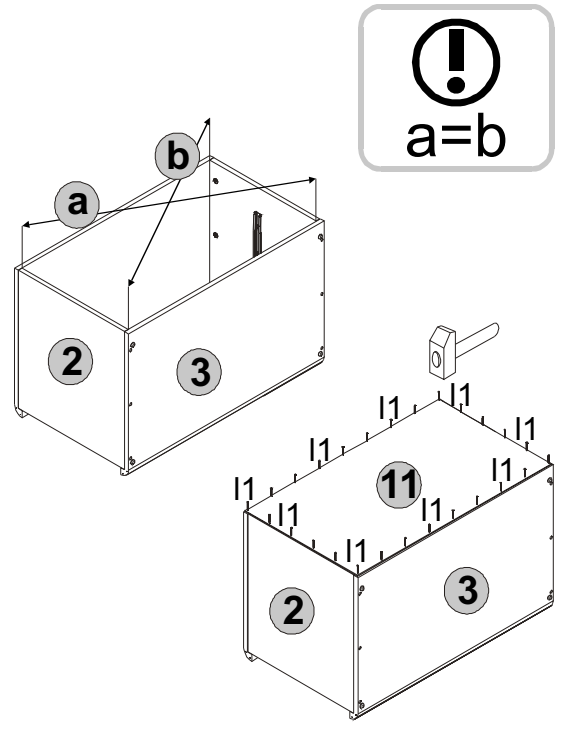
1



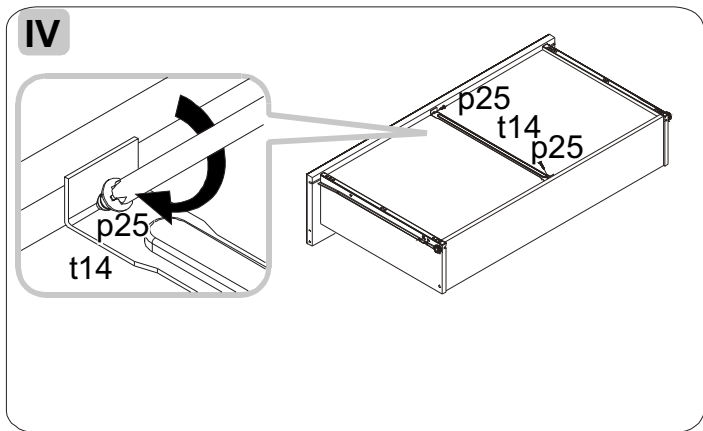
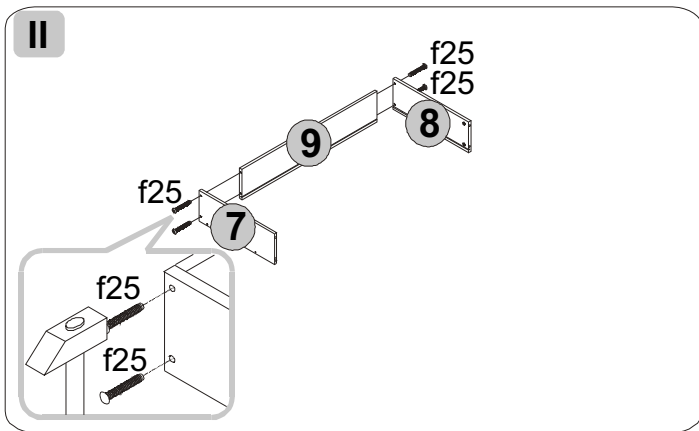
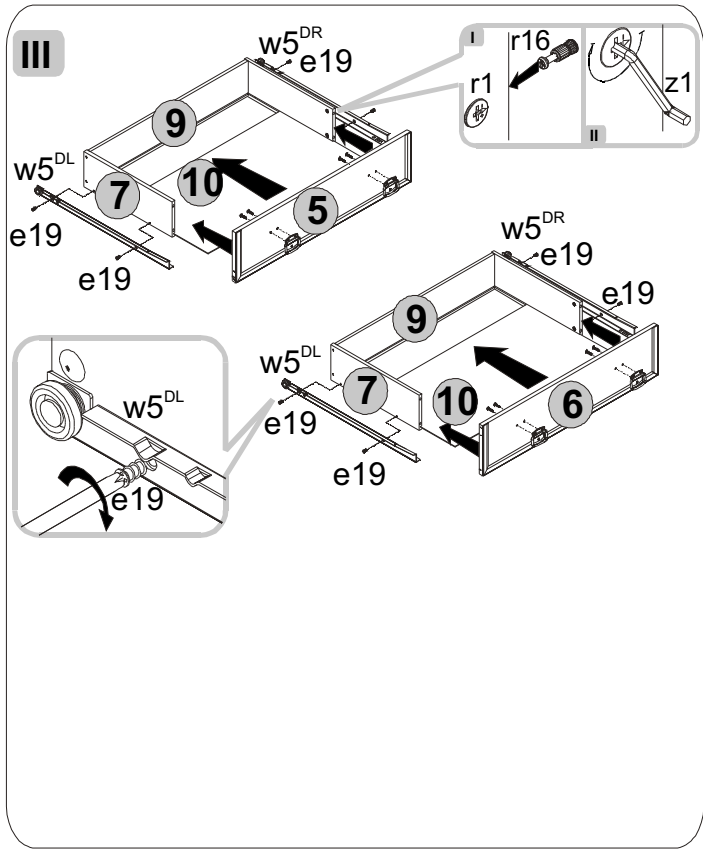
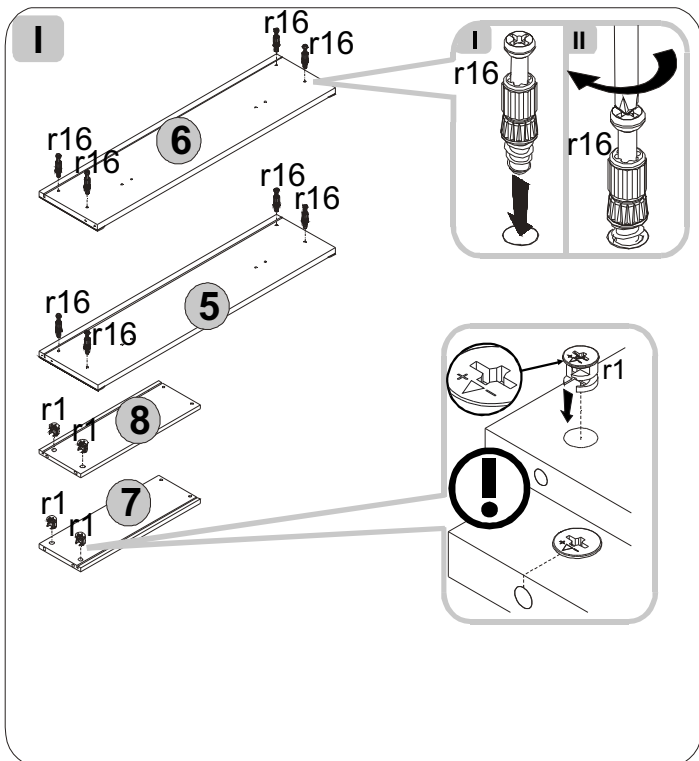
2



3



4



5

