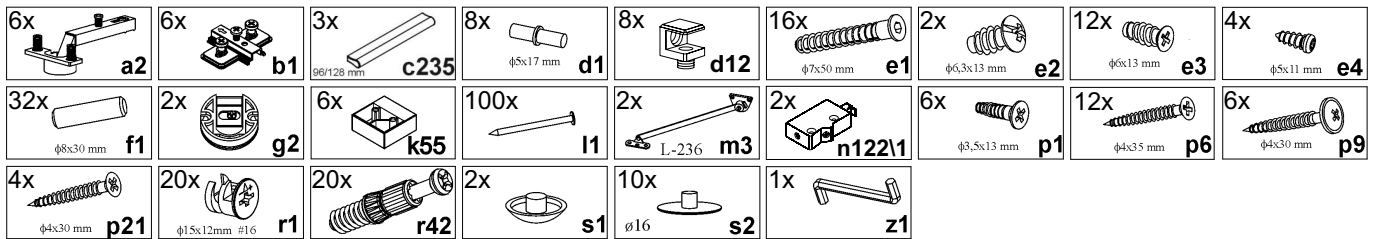
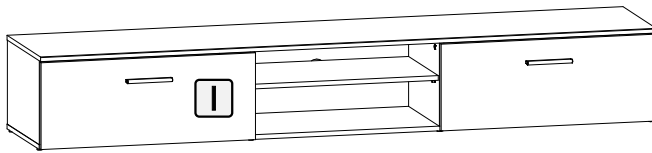
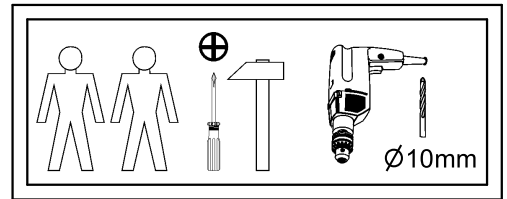
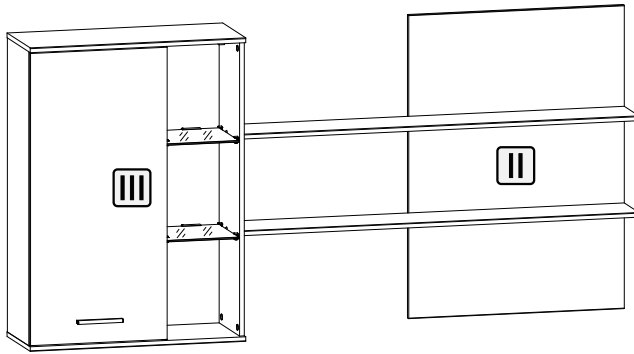


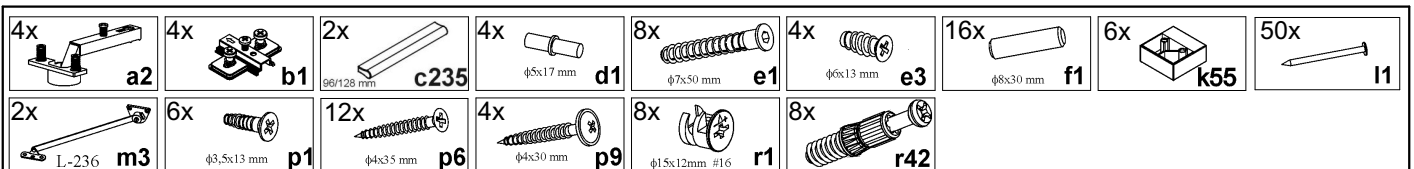
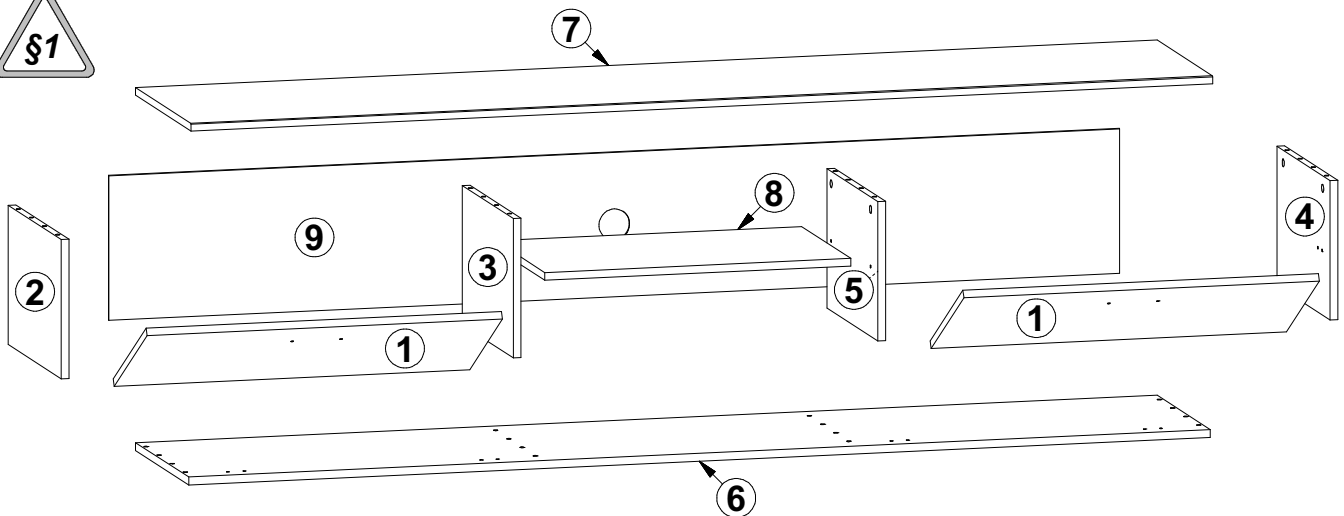
# КВАТРО

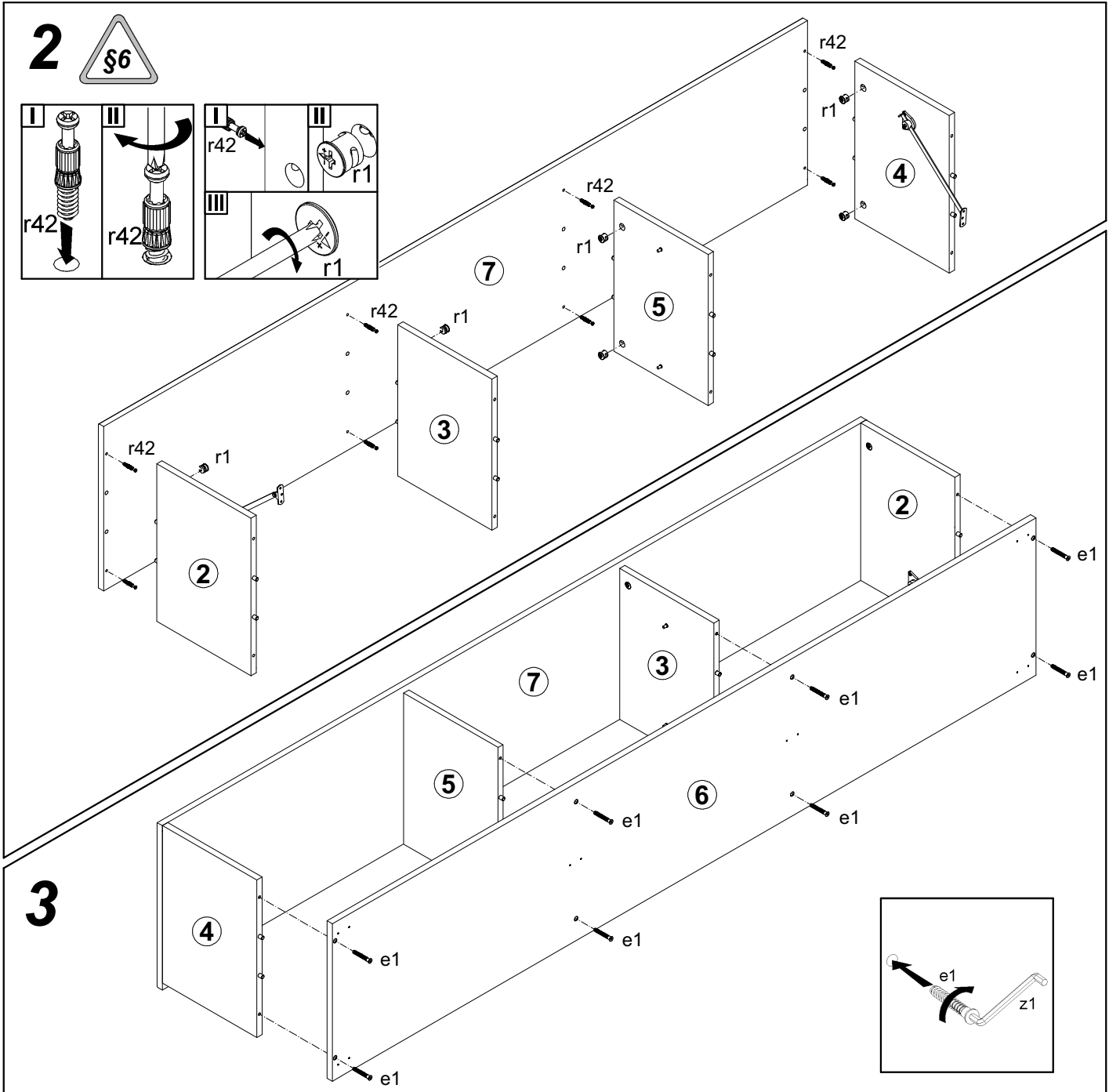
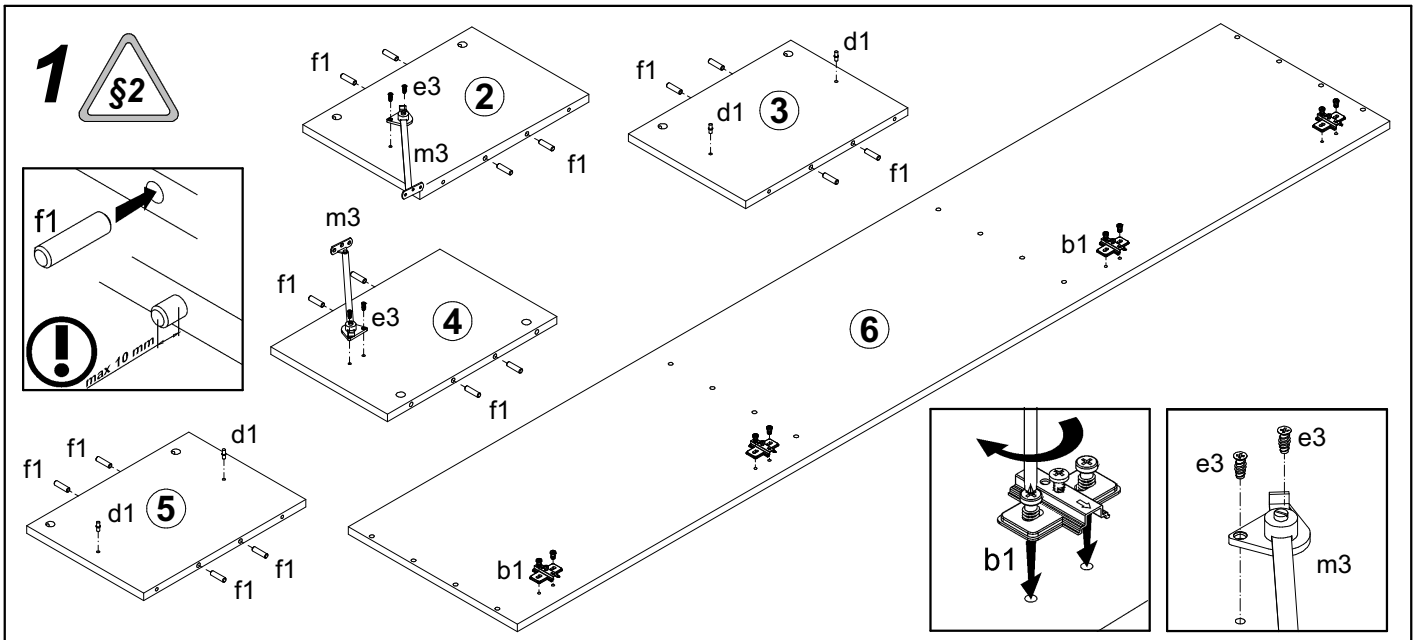


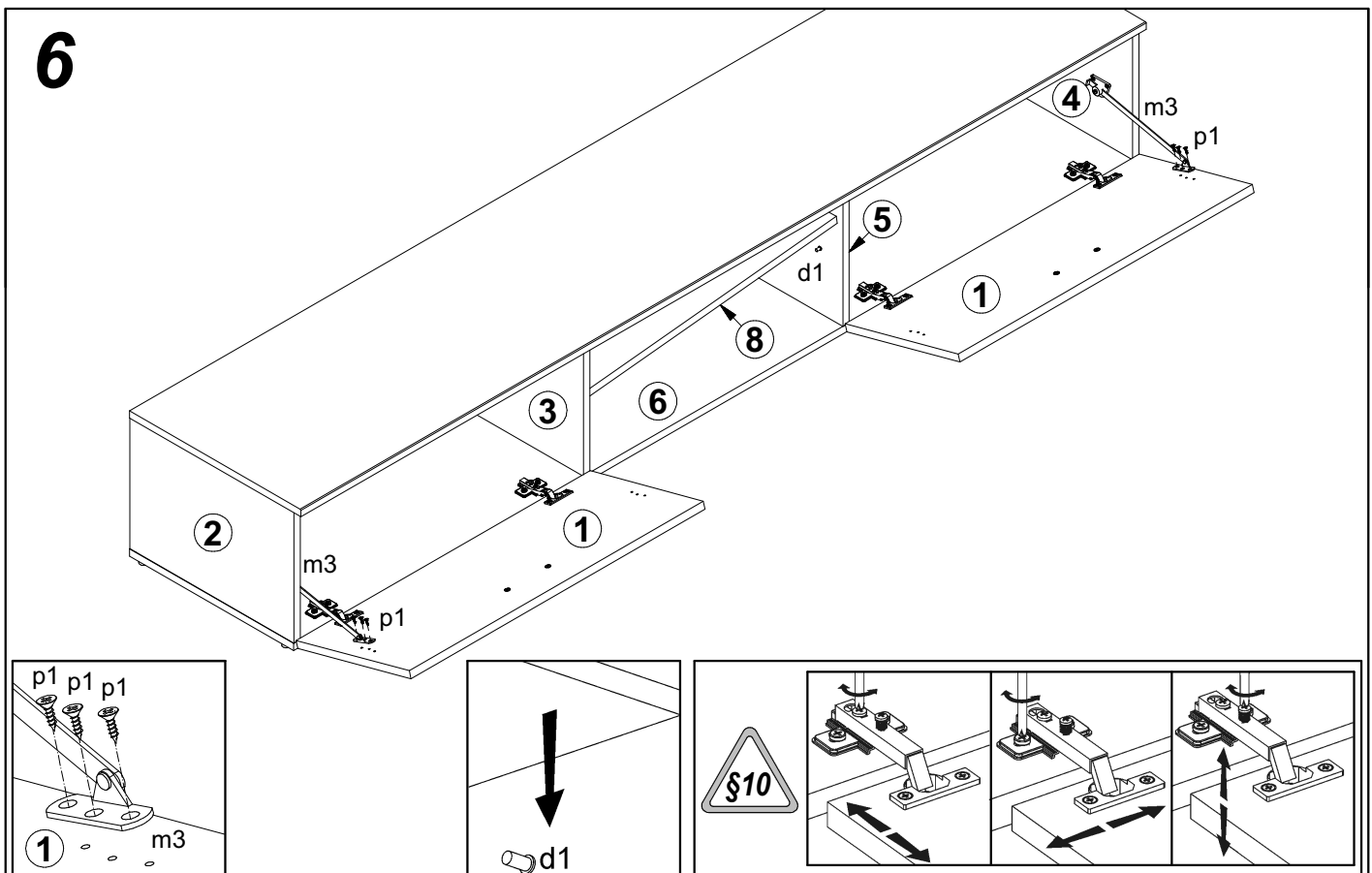
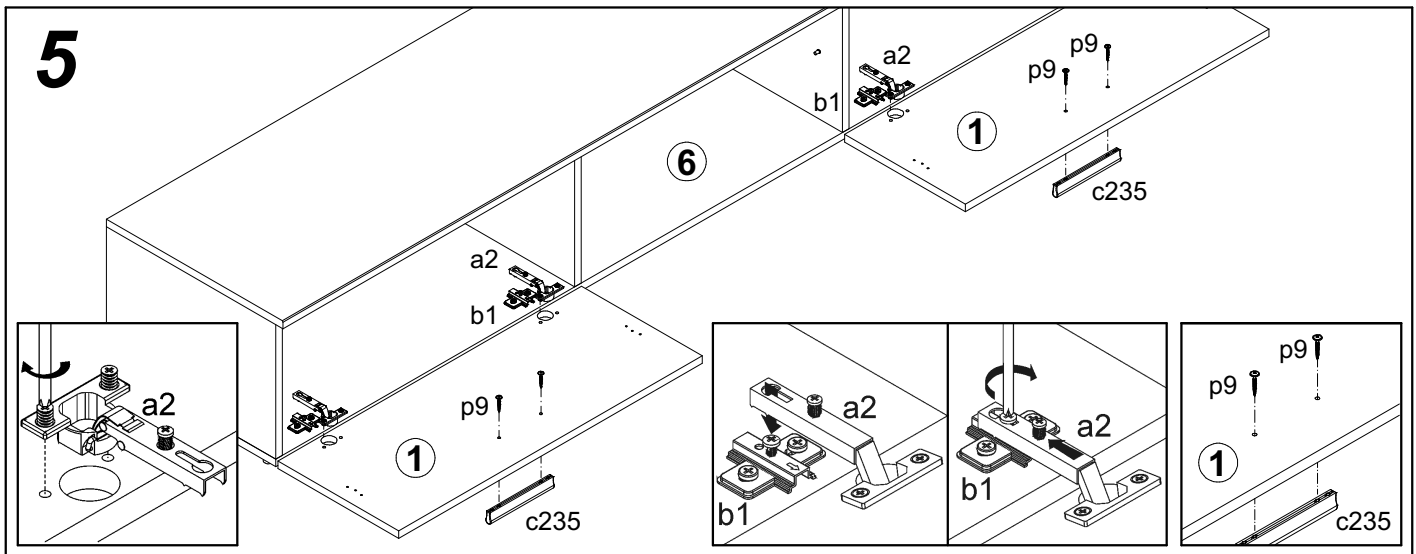
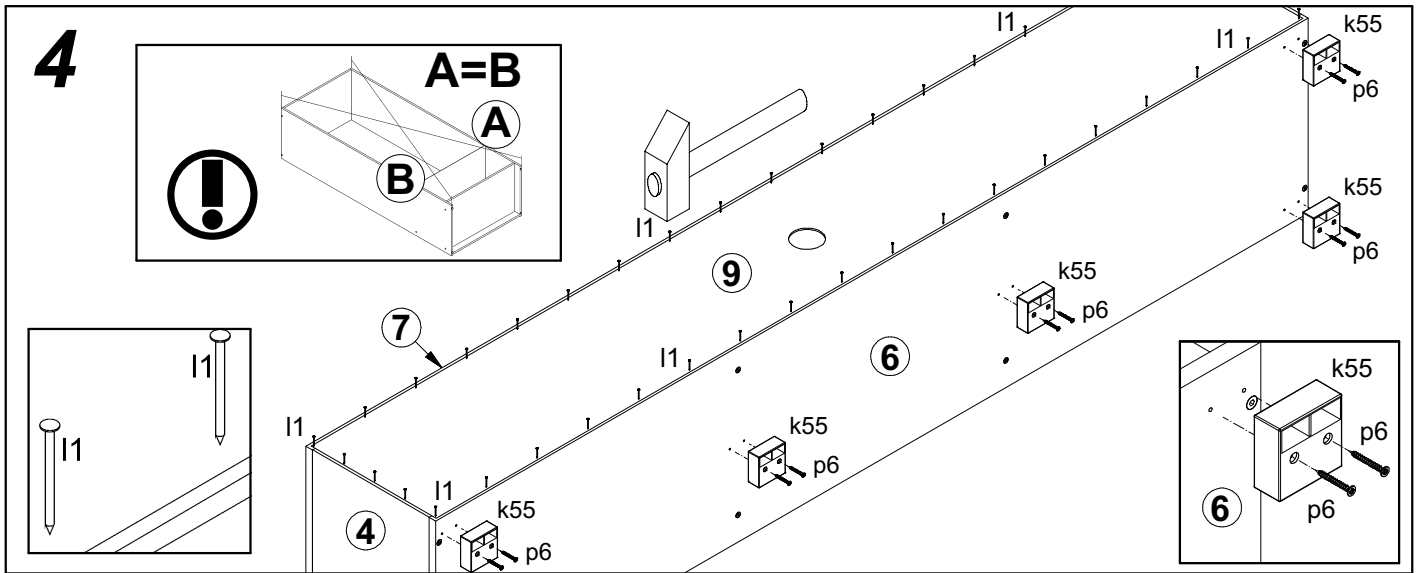
## Підставка РТВ / Подставка РТВ

| A | B        | C   | D   |     |
|---|----------|-----|-----|-----|
| 1 | M97-002A | 696 | 277 | 2/2 |
| 2 | M97-104A | 268 | 388 | 1/2 |
| 3 | M97-105A | 268 | 388 | 1/2 |
| 4 | M97-106A | 268 | 388 | 1/2 |
| 5 | M97-107A | 268 | 388 | 1/2 |

| A | B           | C    | D   |     |
|---|-------------|------|-----|-----|
| 6 | M97-203-01A | 2000 | 388 | 1/2 |
| 7 | M97-204A    | 2000 | 405 | 1/2 |
| 8 | M97-303A    | 595  | 376 | 1/2 |
| 9 | M97-903     | 1995 | 293 | 1/2 |



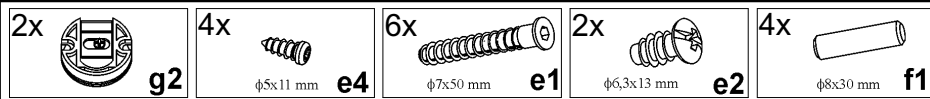
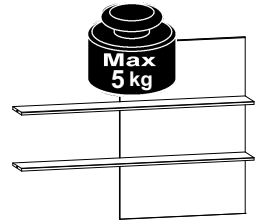
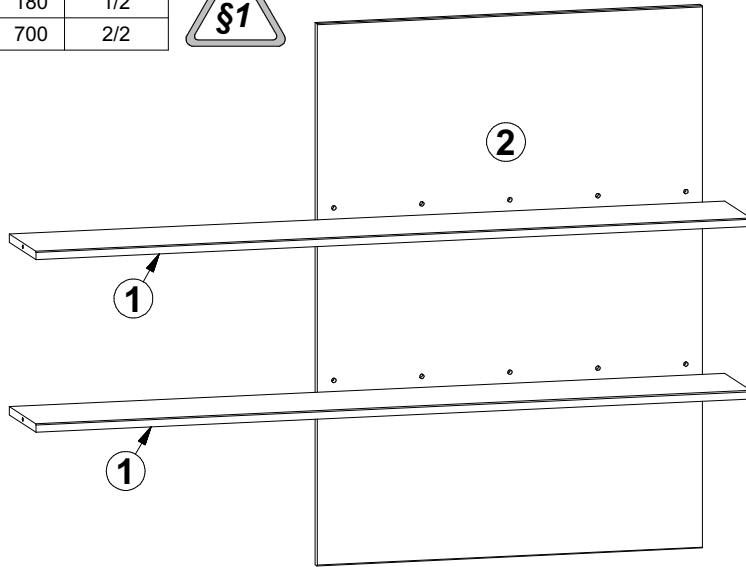




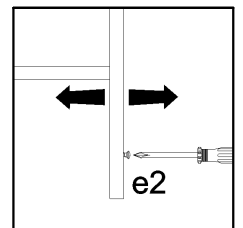
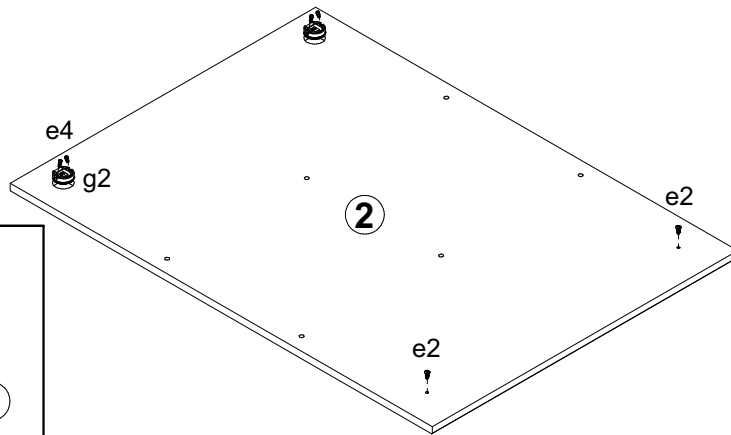
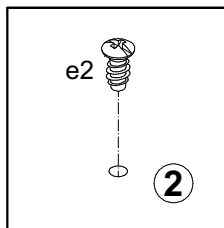
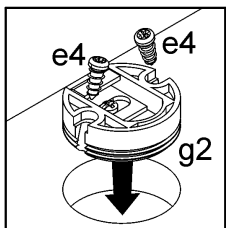


# Полиця / Полка

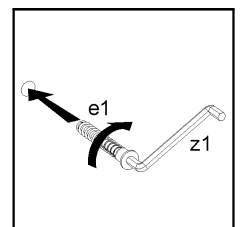
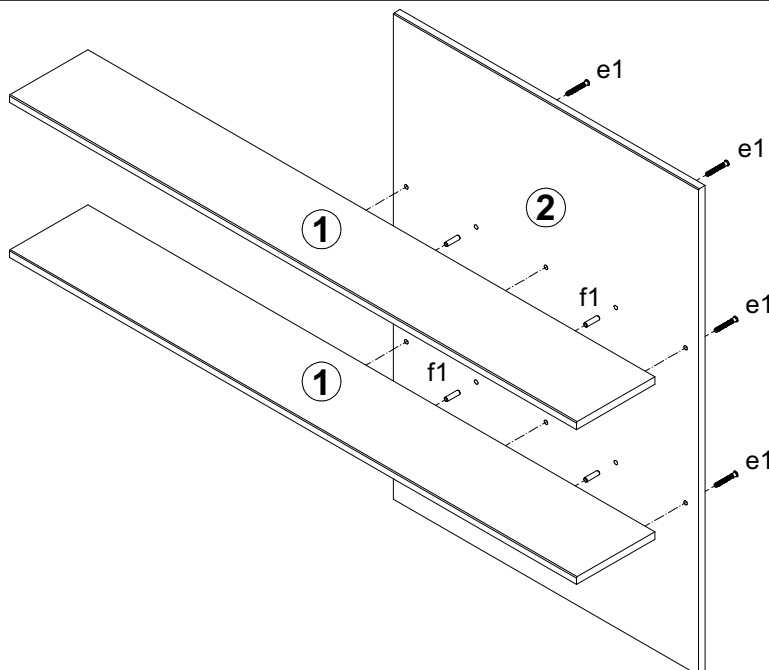
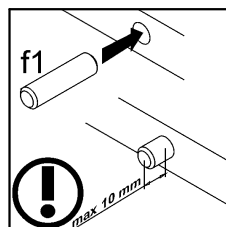
| A | B        | C    | D   |
|---|----------|------|-----|
| 1 | M97-304A | 1300 | 180 |
| 2 | M97-401A | 968  | 700 |



## 7 §2



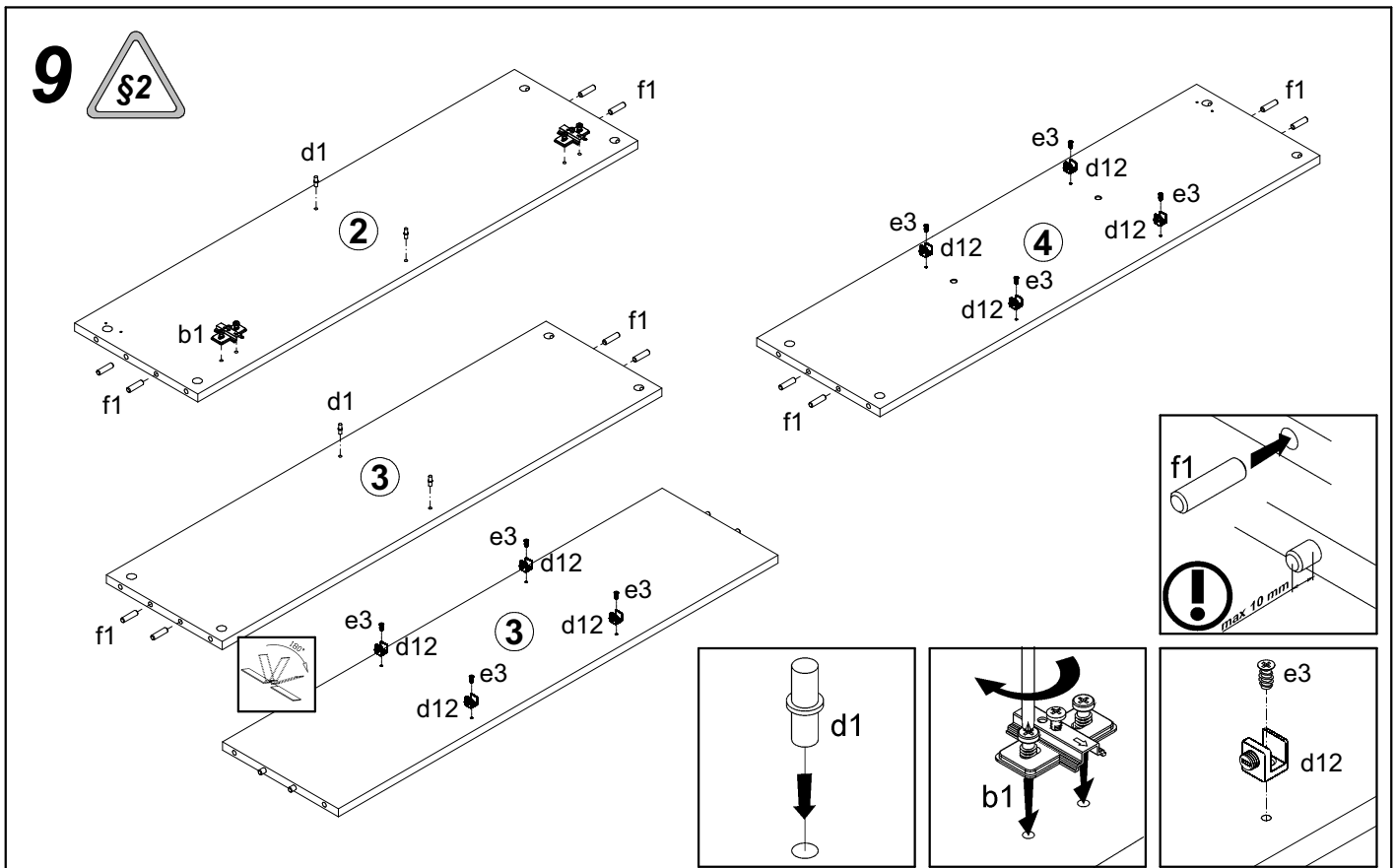
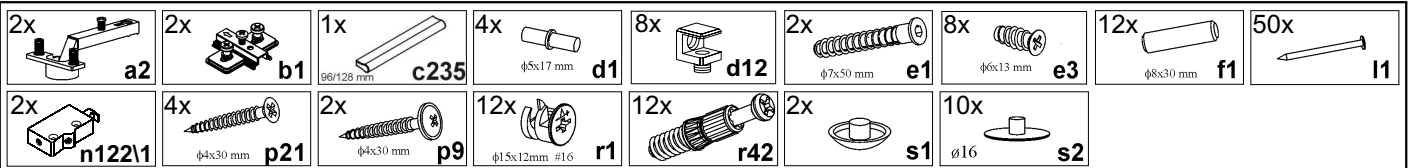
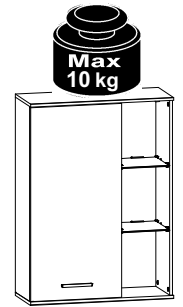
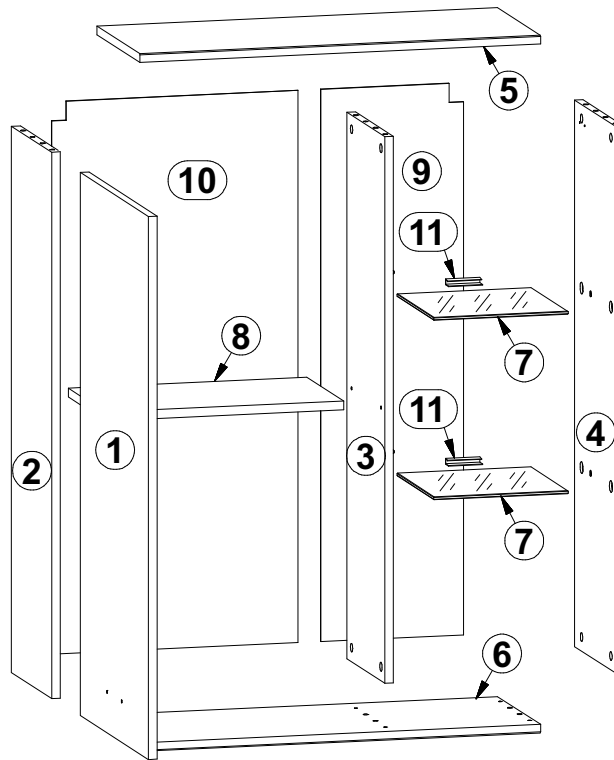
## 8 §6



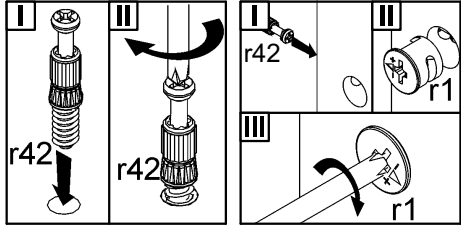
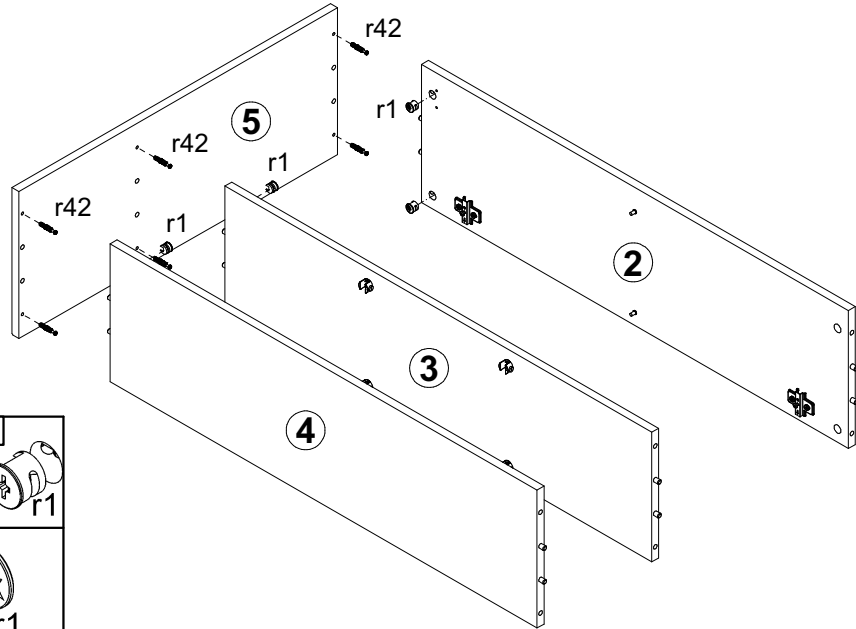


# Вітрина / Витрина

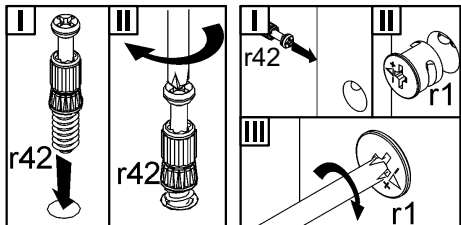
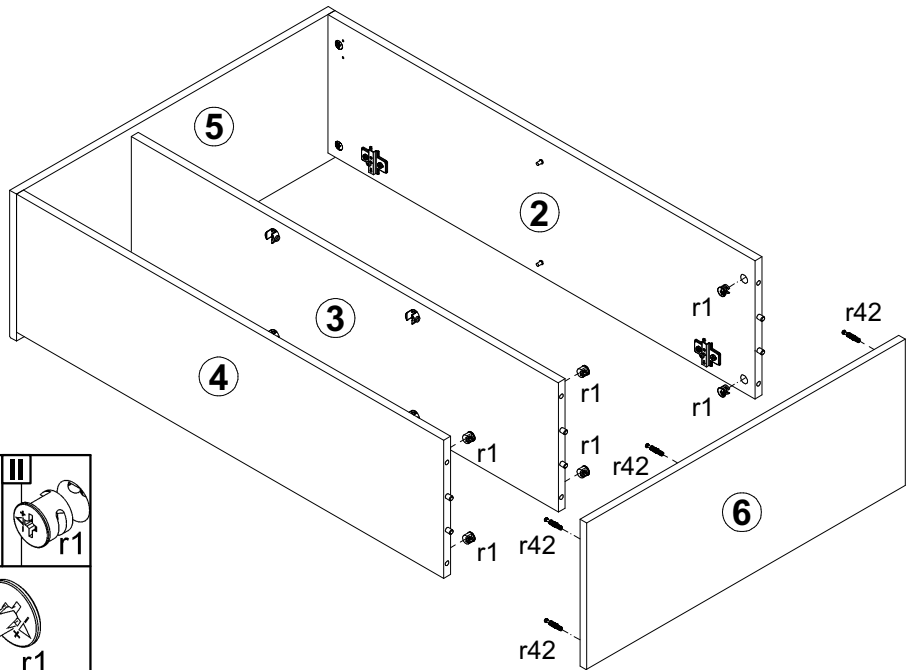
| A  | B           | C   | D   |     |
|----|-------------|-----|-----|-----|
| 1  | M97-001A    | 932 | 444 | 2/2 |
| 2  | M97-101-01A | 938 | 263 | 2/2 |
| 3  | M97-102A    | 938 | 263 | 2/2 |
| 4  | M97-103-01A | 938 | 263 | 2/2 |
| 5  | M97-201A    | 700 | 280 | 2/2 |
| 6  | M97-202A    | 700 | 280 | 1/2 |
| 7  | M97-301     | 225 | 256 | 2/2 |
| 8  | M97-302A    | 417 | 256 | 2/2 |
| 9  | M97-901-01  | 965 | 256 | 2/2 |
| 10 | M97-902-01  | 965 | 439 | 2/2 |
| 11 | qb20/2      | LED |     | 2/2 |



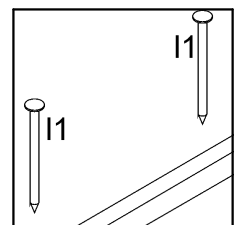
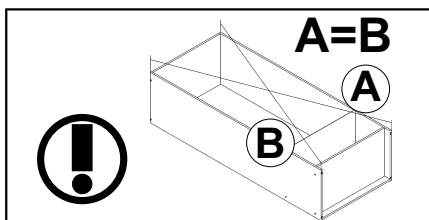
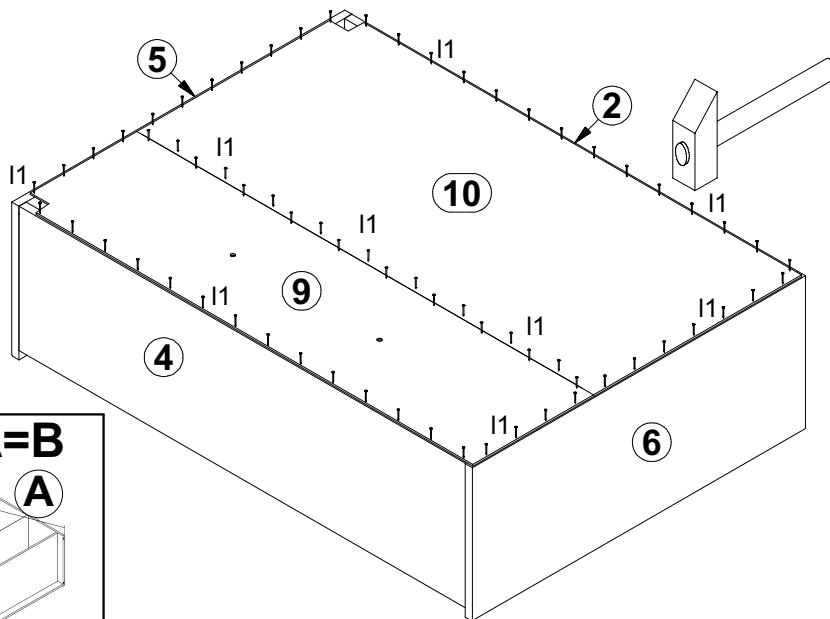
# 10



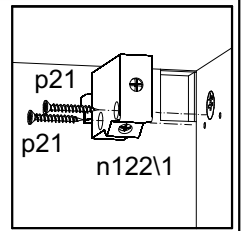
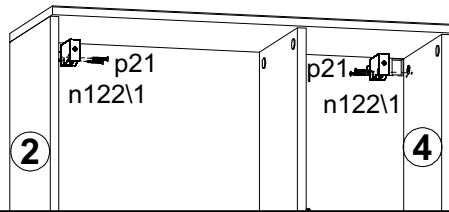
# 11



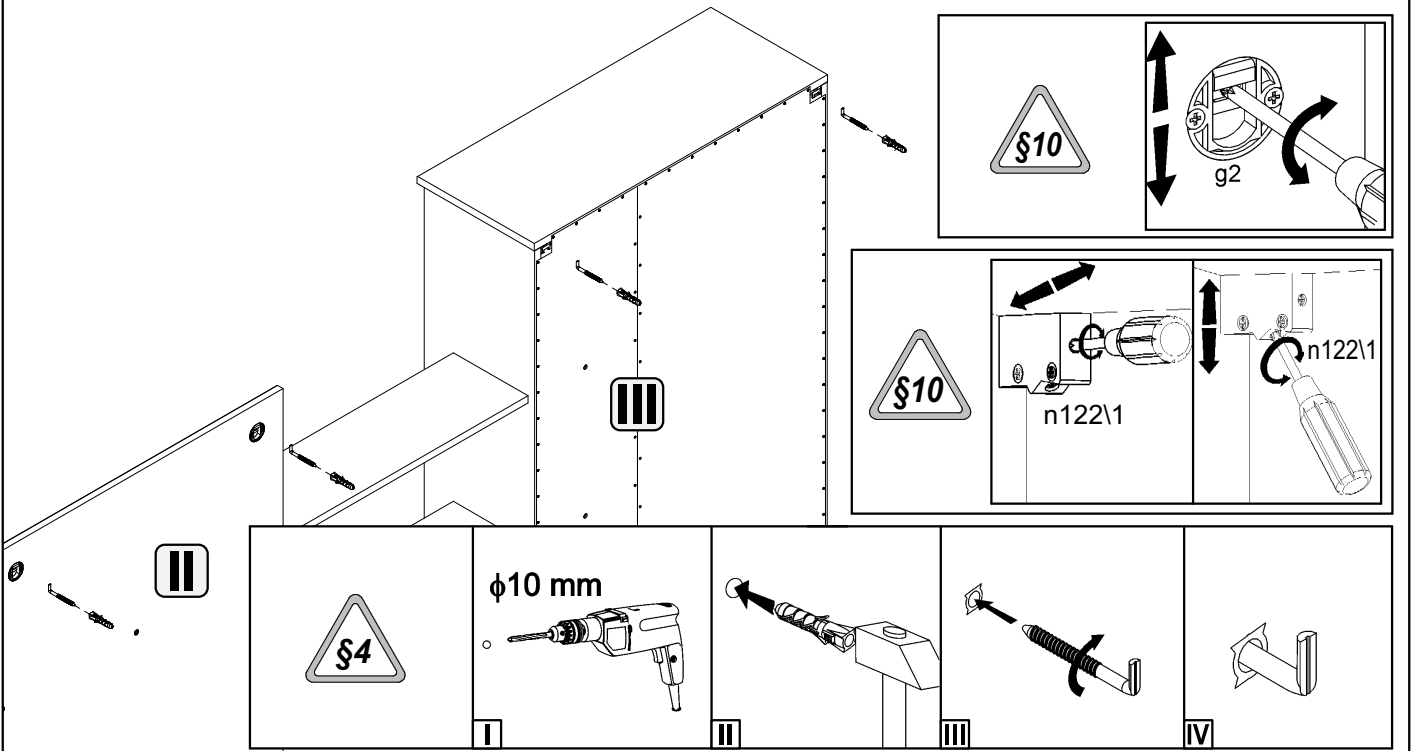
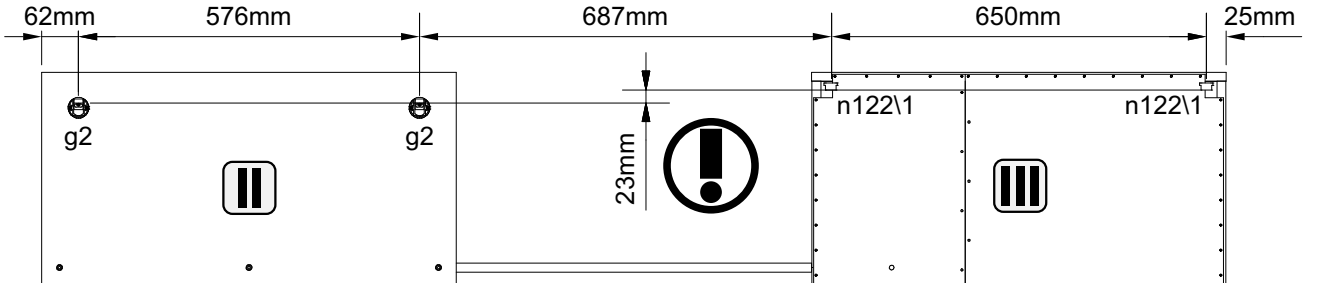
# 12



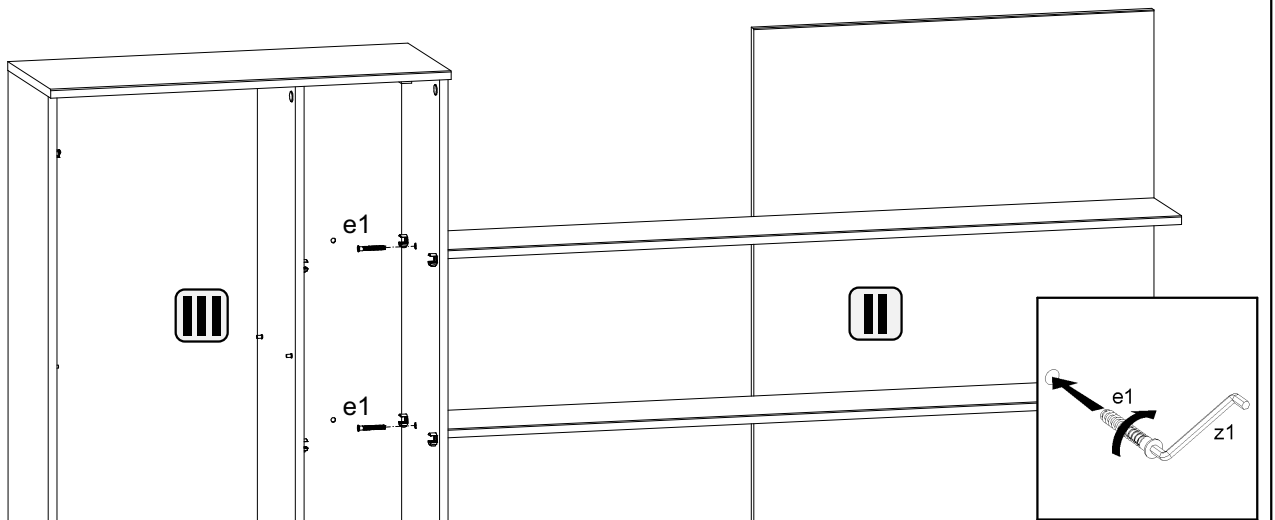
# 13



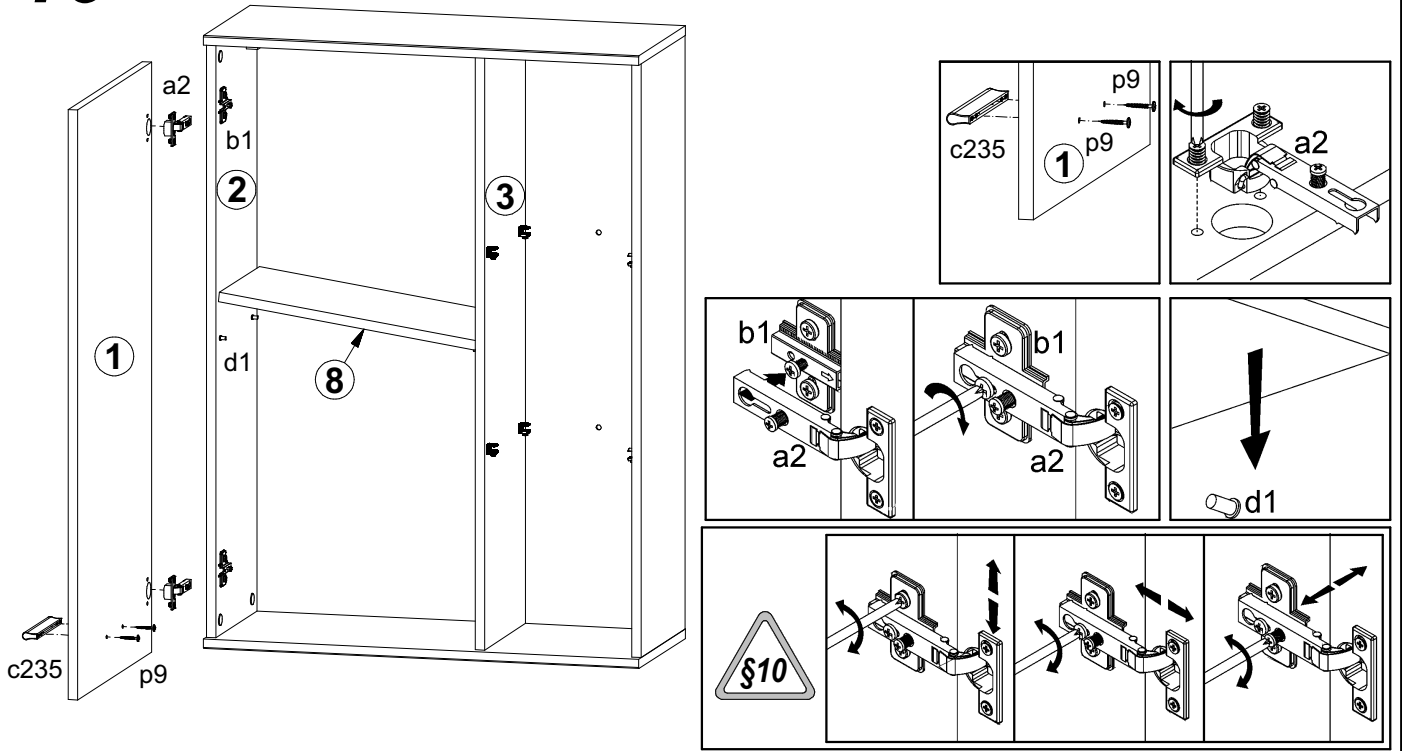
# 14



# 15



# 16



# 17

