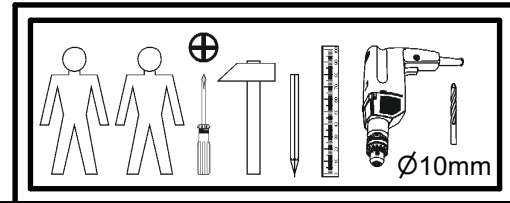
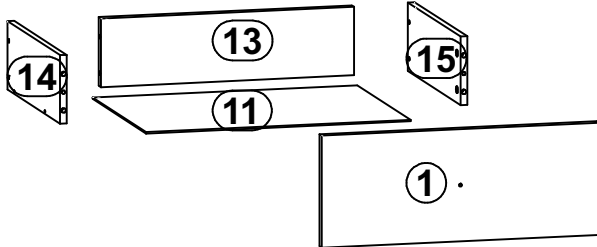
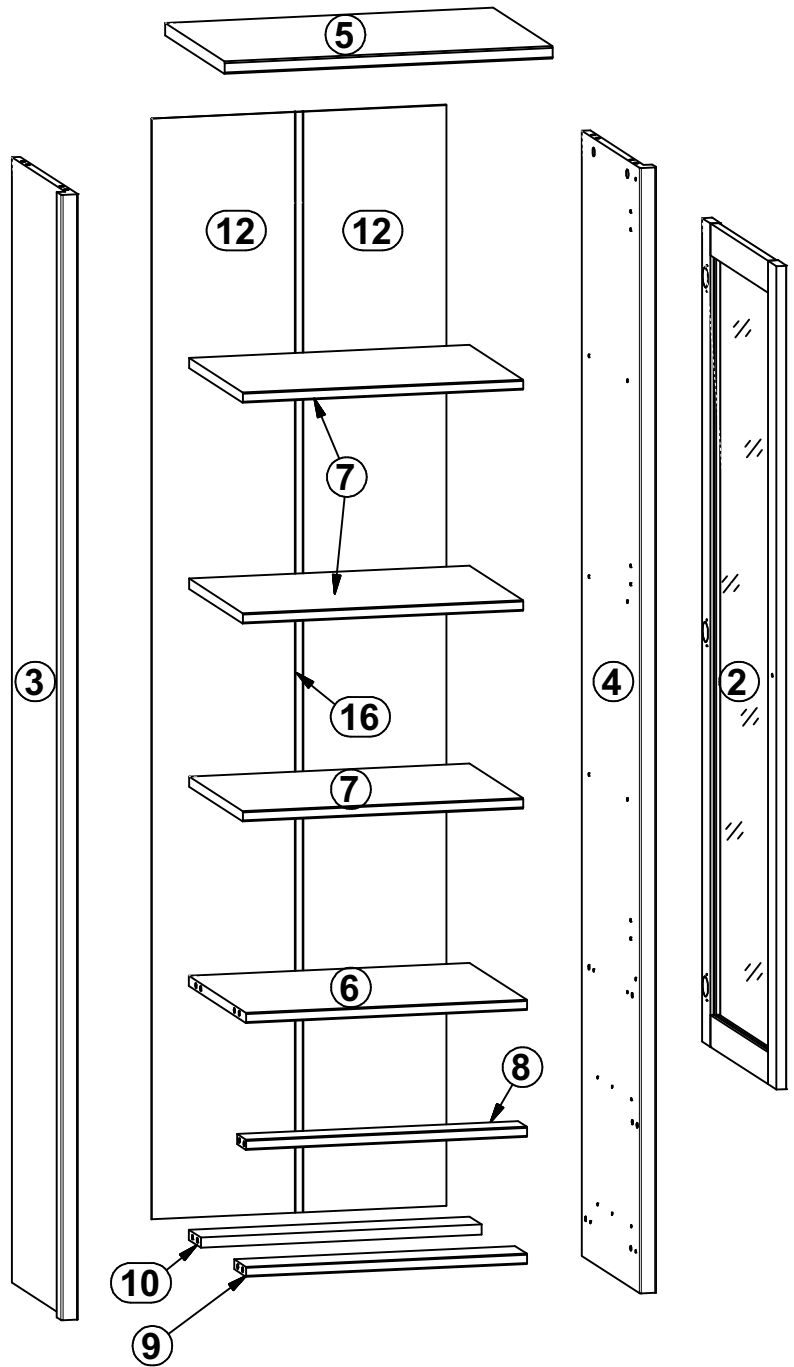
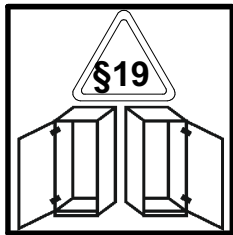
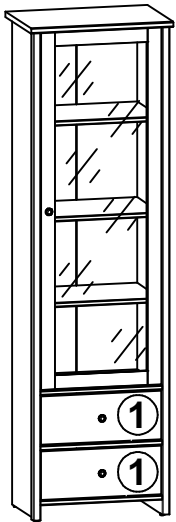
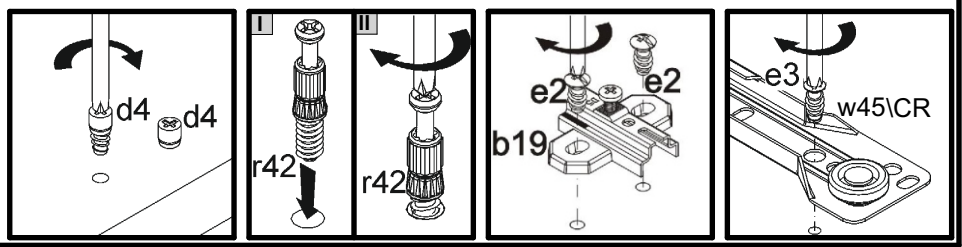
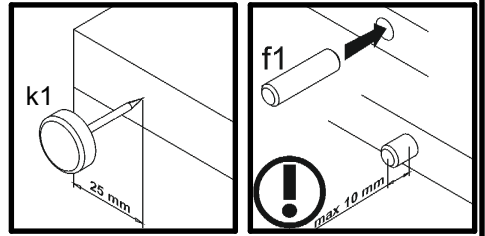
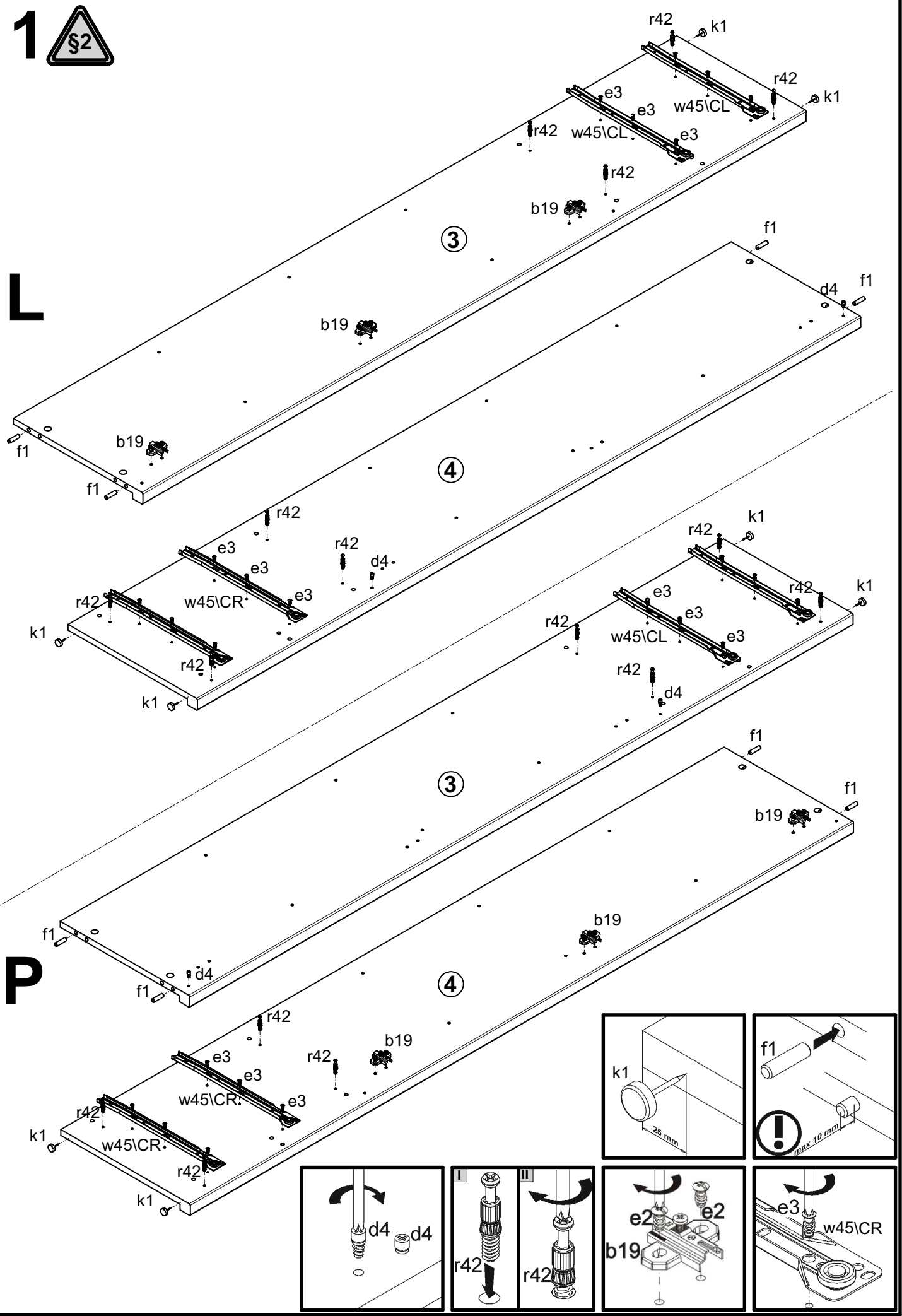


A	B	C	D
1	S322-0007	494	196 3/4
2	S322-008	1440	494 4/4
3	S322-1109	1968	384 1/4
4	S322-1110	1968	384 1/4
5	S322-2304	584	395 2/4
6	S322-3304	500	381 2/4
7	S322-3305	499	357 2/4
8	S322-4405	500	60 2/4
9	S322-4406	500	80 2/4
10	S322-4407	500	80 2/4
11	S322-9909	471	355 2/4
12	S322-9910	1925	263 1/4
13	ZB-5507	451	120 2/4
14	BB-501	350	120 2/4
15	BB-502	350	120 2/4
16	Lh-1885	1885	14 1/4

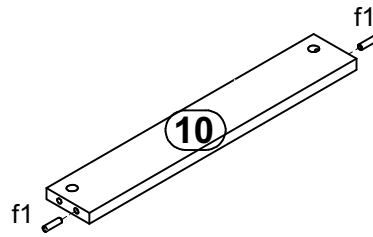
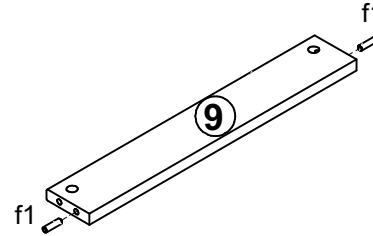
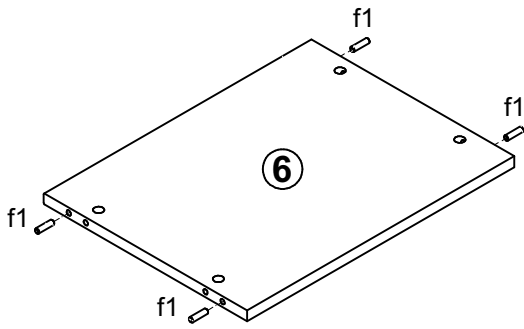
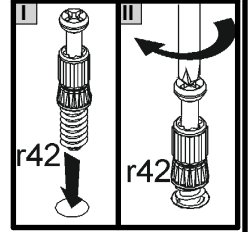
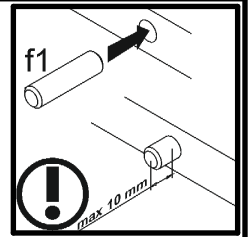
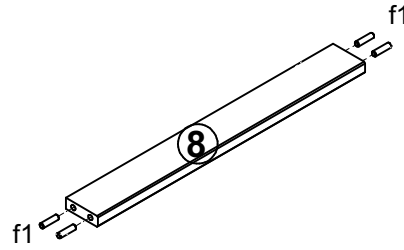
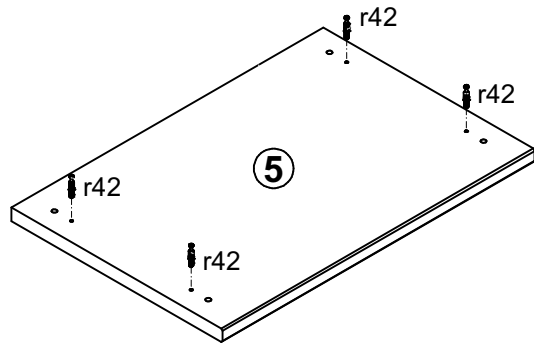


3x a43	6x b19	3x c415	12x d1	2x d4	12x e3	8x e19	20x f1	8x f25
2x j1	1x j30	4x k1	60x l1	8x p38	6x p51	20x r1	20x r42	2x w45\CL
2x w45\CR	2x w45\DL	2x w45\DR	4x s2	1x n26\1	1x p38			

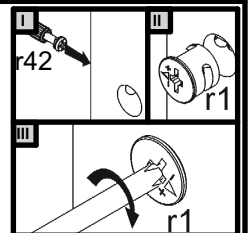
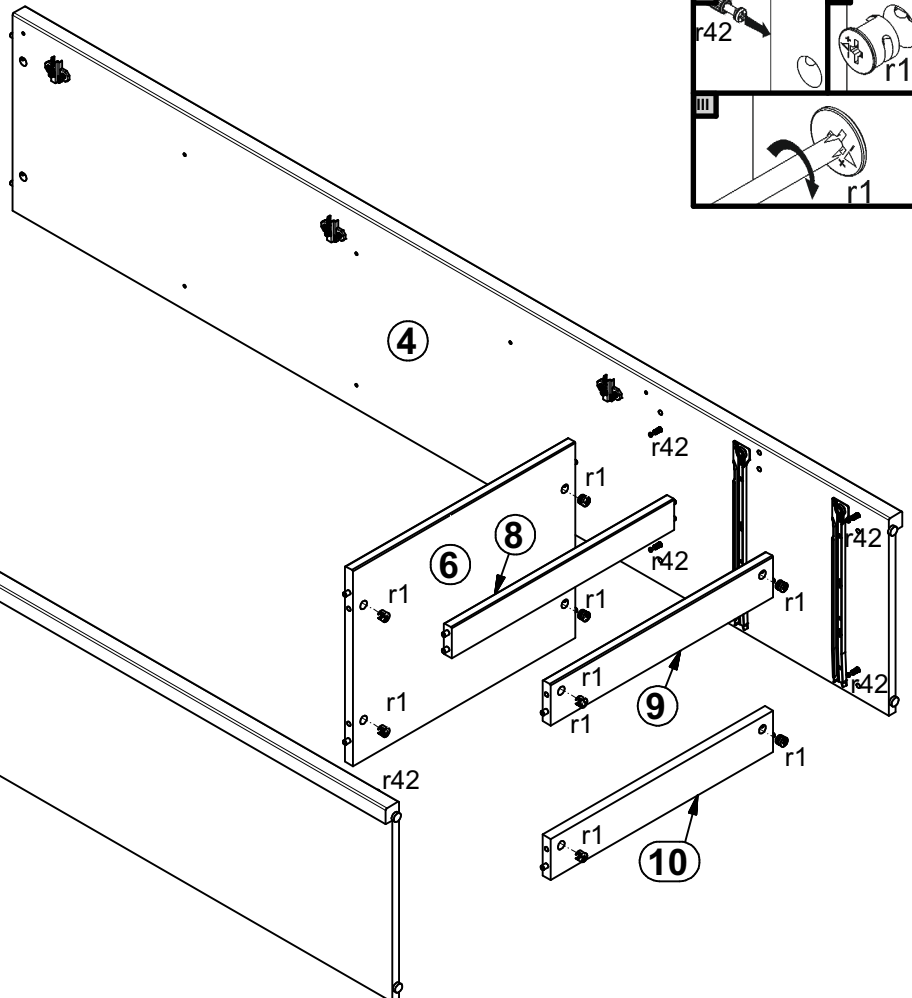
1 

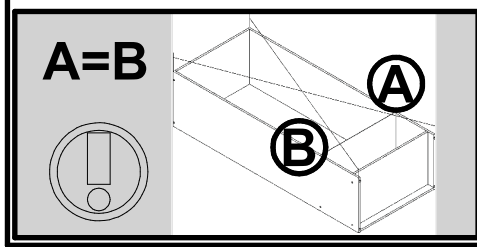
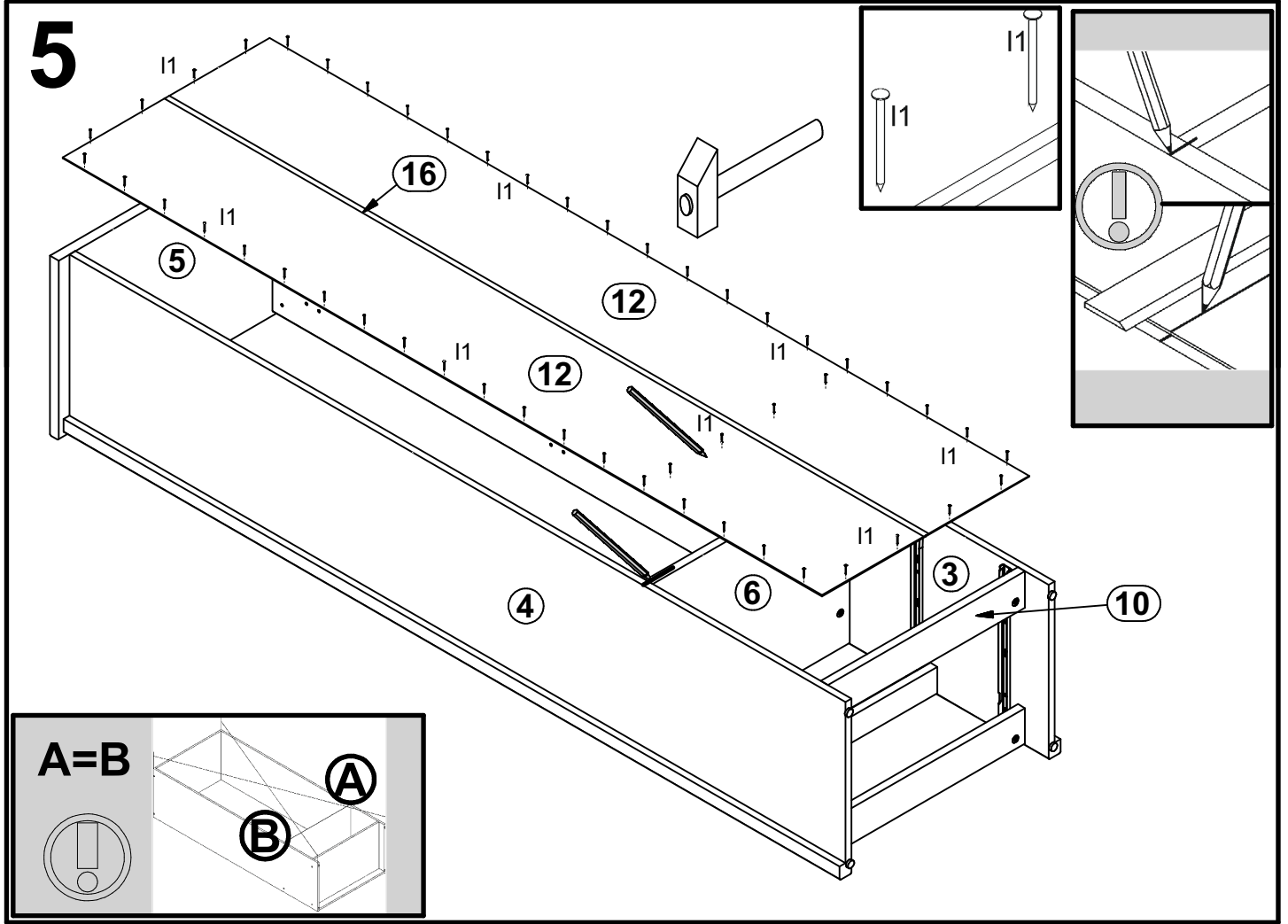
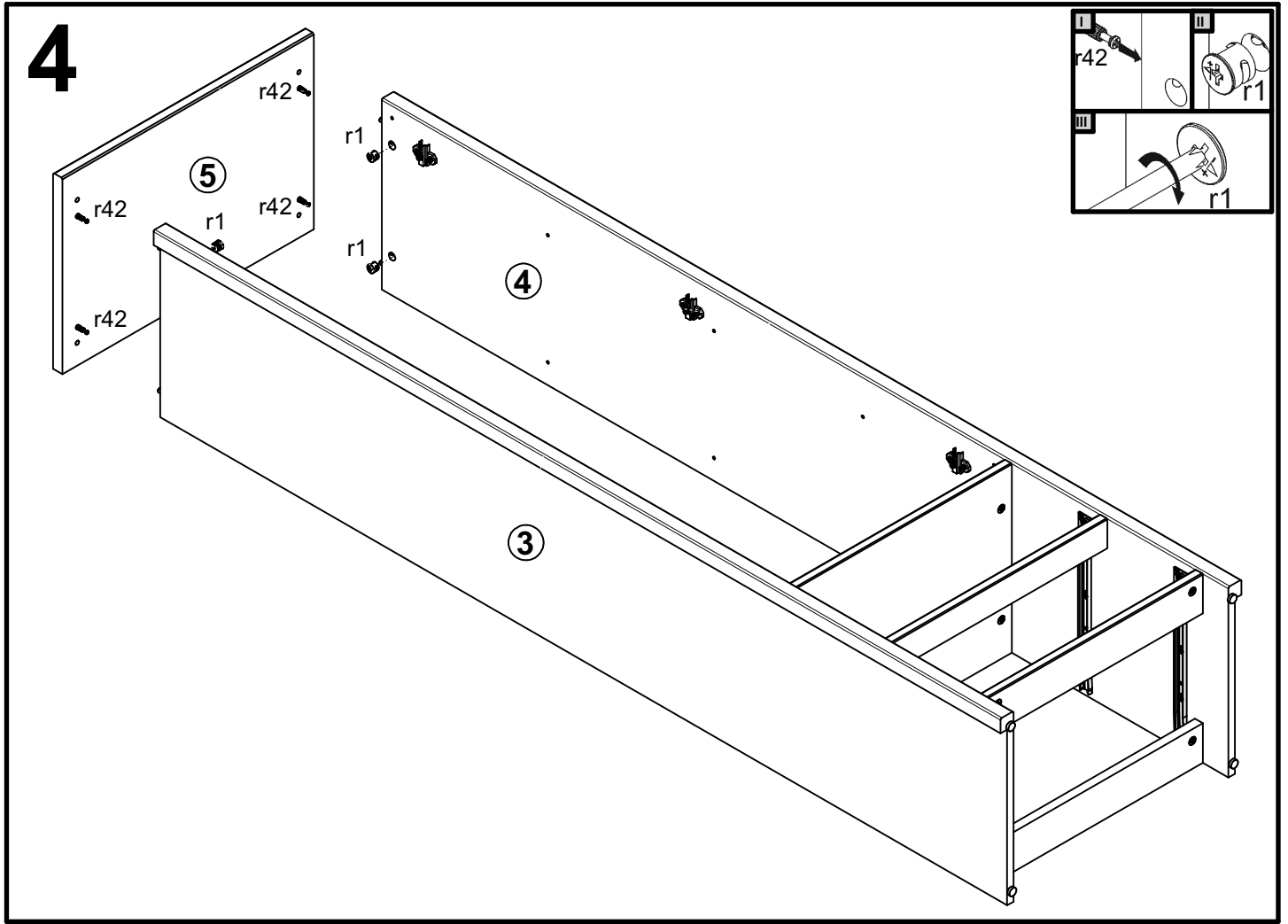


2

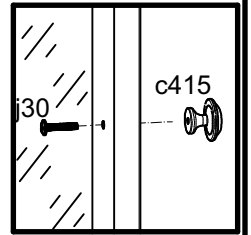
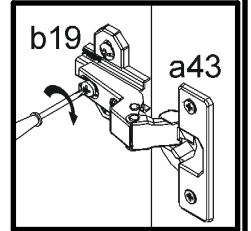
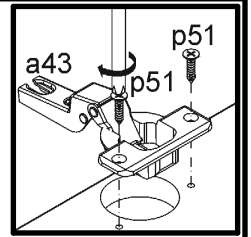
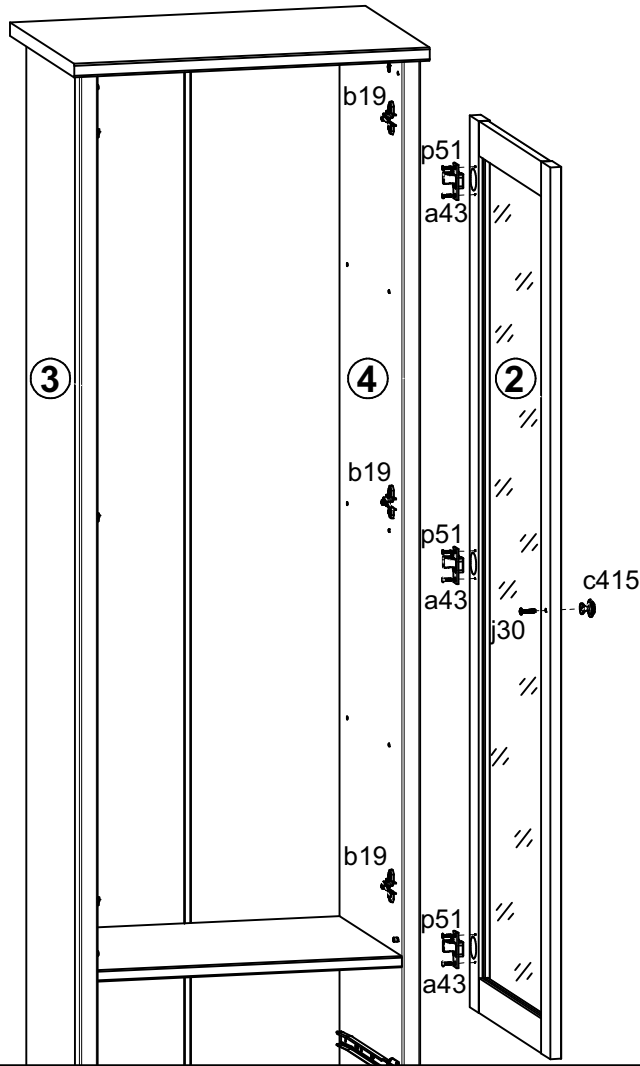


3

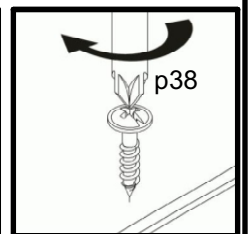
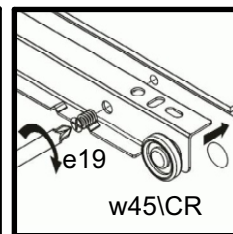
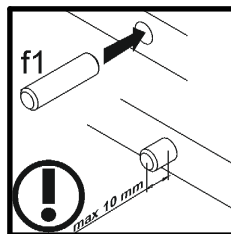
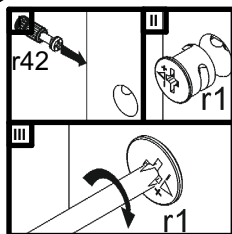
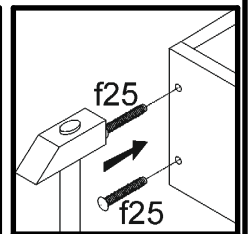
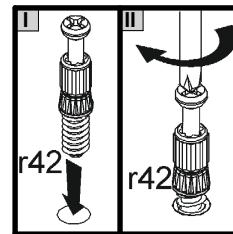
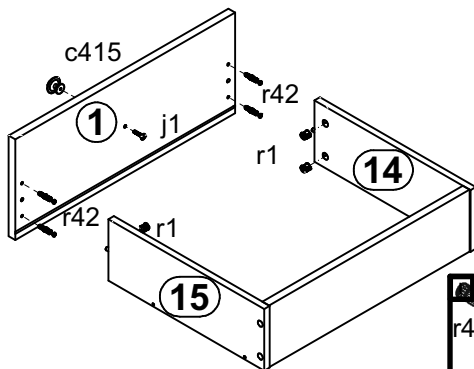
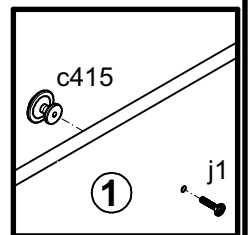
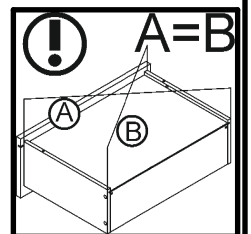
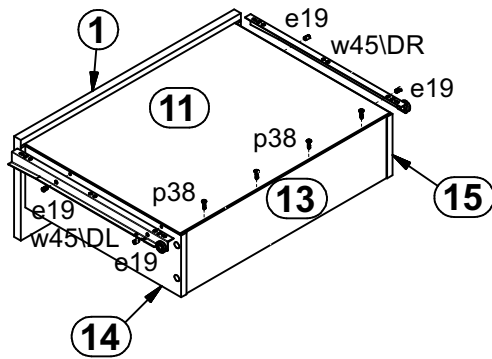
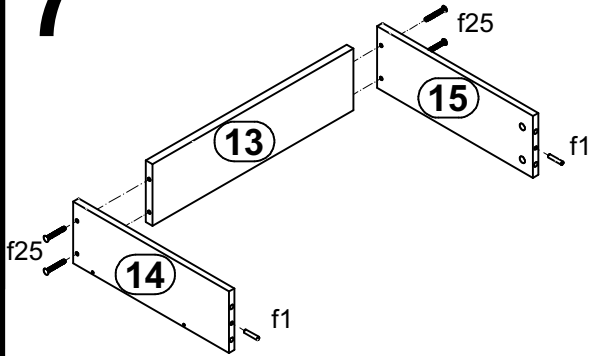




6



7



8

