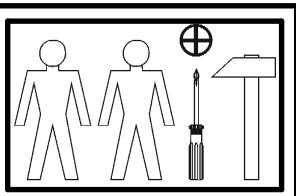
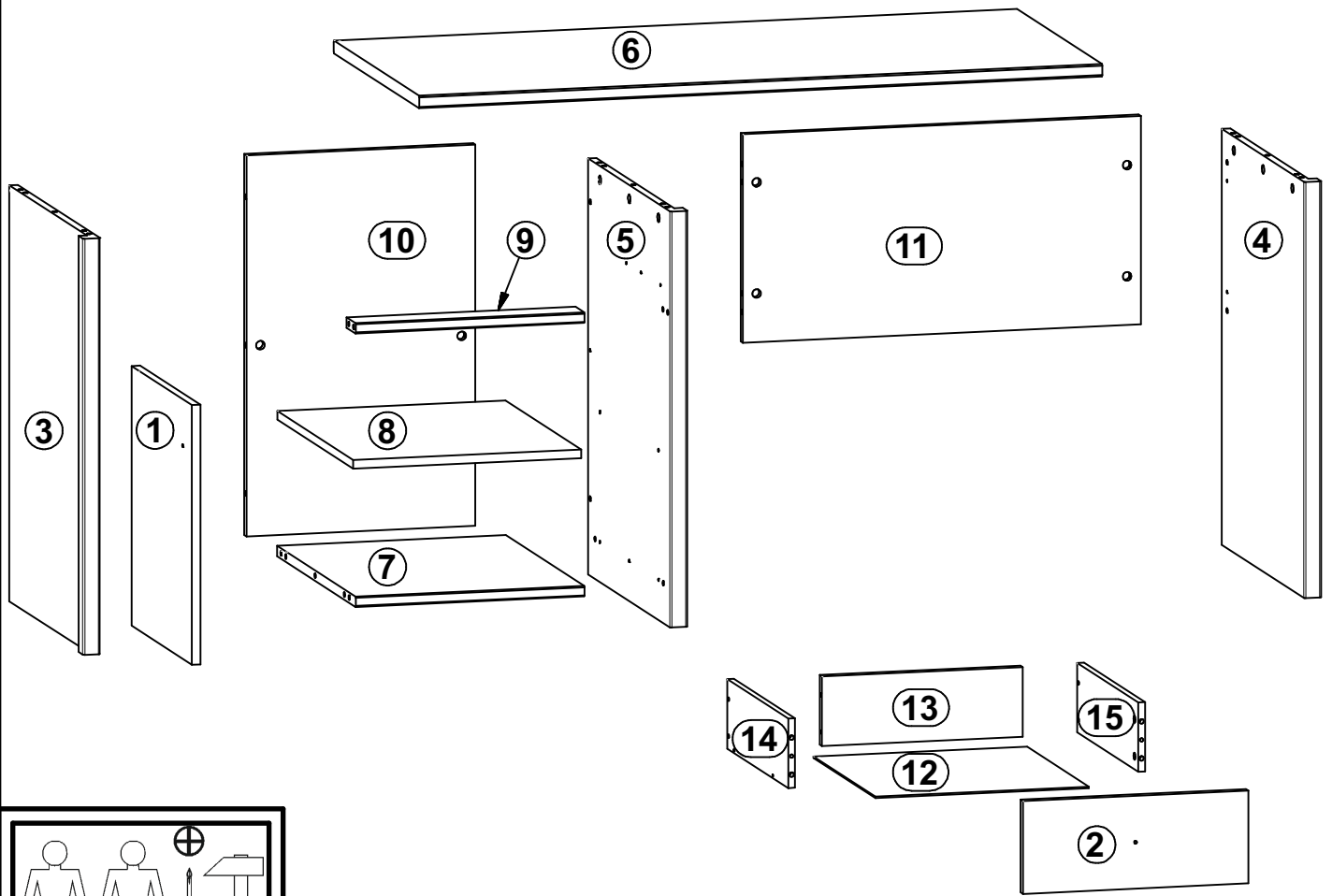
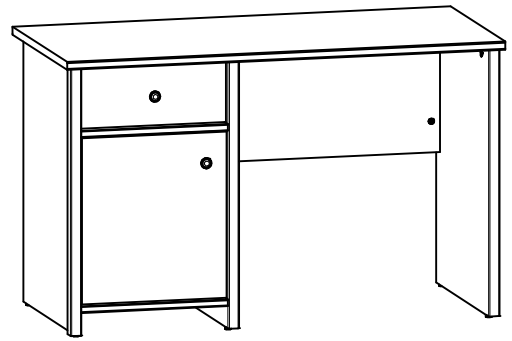
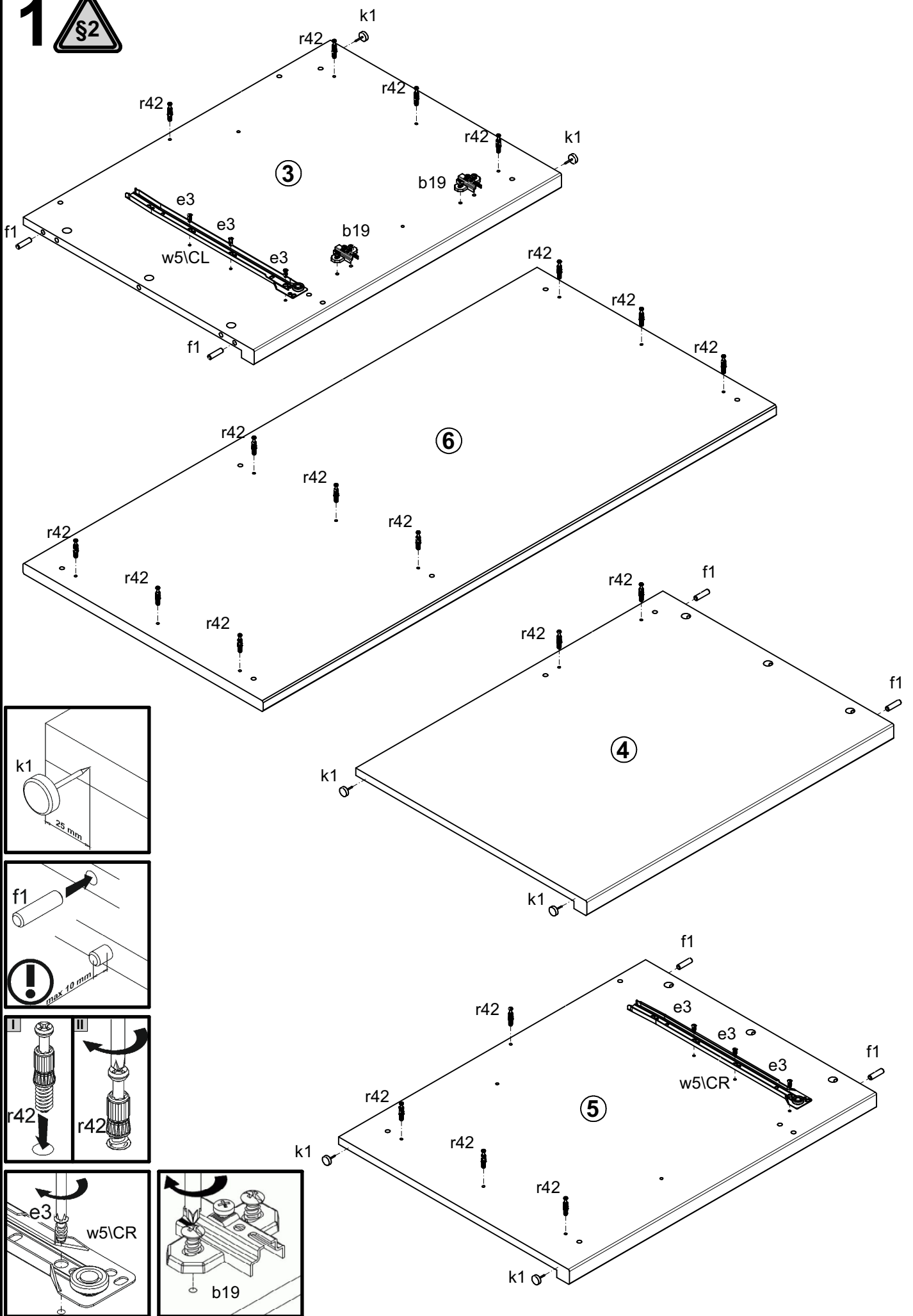


A	B	C		D
1	S322-0020	448	396	3/3
2	S322-0021	396	160	3/3
3	S322-1128	718	540	1/3
4	S322-1129	718	540	1/3
5	S322-1130	718	540	1/3
6	S322-2209	1200	562	2/3
7	S322-3314	402	515	1/3
8	S322-3315	401	495	1/3
9	S322-4410	402	60	1/3
10	S322-4411	658	402	1/3
11	S322-4412	698	360	1/3
12	S322-9925	375	405	1/3
13	ZB-5503	345	120	1/3
14	BB-503	400	120	1/3
15	BB-504	400	120	1/3

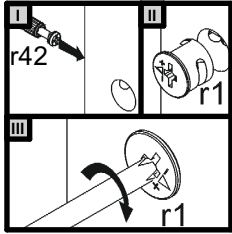
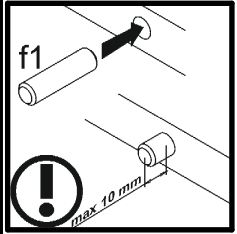
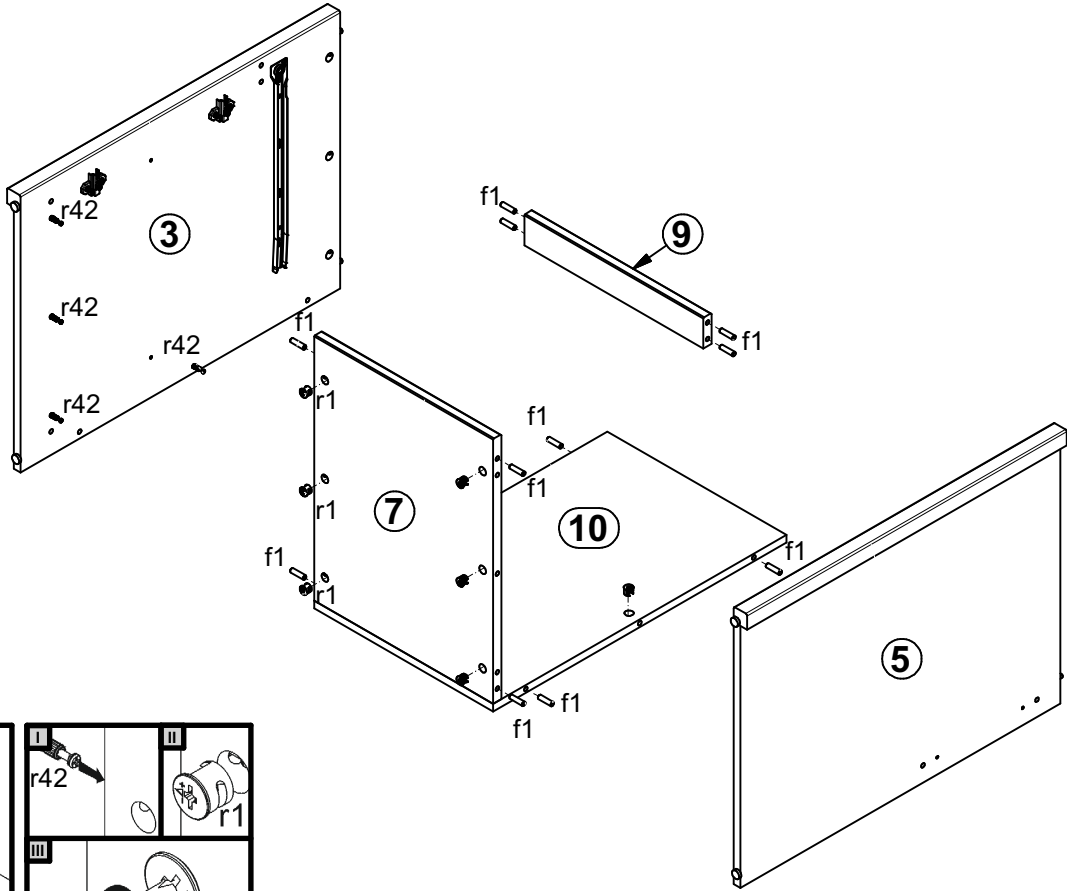


2x k16 a43	2x ds b19	2x M4 c415	4x d1 ∅5x17 mm	6x e3 ∅6x13 mm	4x e19 ∅5x9 mm	24x f1 ∅8x30 mm	4x f25 ∅6.5x40 mm	2x j1 M4x20 mm
6x k1	1x o21 silikon	3x p38 ∅3.5x16 mm	4x p51 ∅3.5x15 mm	25x r1 ∅15x12 mm #16	25x r42 20/11	1x w5\CL 400 mm	1x w5\CR 400 mm	1x w5\DL 400 mm
1x w5\DR 400 mm	11x s2 ∅16							

1 



2



3

